

CENTER

STEREO RECEIVER

RX-V1070/V870

SERVICE MANUAL

RX-V1070/V870

IMPORTANT NOTICE

This manual has been provided for the use of authorized YAMAHA Retailers and their service personnel. It has been assumed that basic service procedures inherent to the industry, and more specifically YAMAHA Products, are already known and understood by the users, and have therefore not been restated.

WARNING: Failure to follow appropriate service and safety procedures when servicing this product may result in personal injury, destruction of expensive components and failure of the product to perform as specified. For these reasons, we advise all YAMAHA product owners that all service required should be performed by an authorized YAMAHA Retailer or the appointed service representative.

IMPORTANT: The presentation or sale of this manual to any individual or firm does not constitute authorization, certification or recognition of any applicable technical capabilities, or establish a principle-agent relationship of any form.

The data provided is believed to be accurate and applicable to the unit(s) indicated on the cover. The research, engineering, and service departments of YAMAHA are continually striving to improve YAMAHA products. Modifications are, therefore, inevitable and specifications are subject to change without notice or obligation to retrofit. Should any discrepancy appear to exist, please contact the distributor's Service Division.

WARNING: Static discharges can destroy expensive components. Discharge any static electricity your body may have accumulated by grounding yourself to the ground buss in the unit (heavy gauge black wires connect to this buss).

IMPORTANT: Turn the unit OFF during disassembly and parts replacement. Recheck all work before you apply power to the unit.

■ CONTENTS

TO SERVICE PERSONNEL	1	ADJUSTMENT IN TUNER SECTION	11~14
FRONT PANELS	1	DIAGNOSTIC OPERATION	15~16
REAR PANELS	2	IC DATA	17~20
SPECIFICATIONS	3~4	DISPLAY DATA	21
BLOCK DIAGRAM	5~7	PRINTED CIRCUIT BOARD	22~41
INTERNAL VIEW	8	WAVEFORM OF TEST POINT	42~43
DISASSEMBLY PROCEDURES	8~9	SCHEMATIC DIAGRAM	44~48
PROTECTION FUNCTION	10	PARTS LIST	49~78
ADJUSTMENT IN POWER AMPLIFIER SECTION	10	REMOTE CONTROL TRANSMITTER	79~80

100454

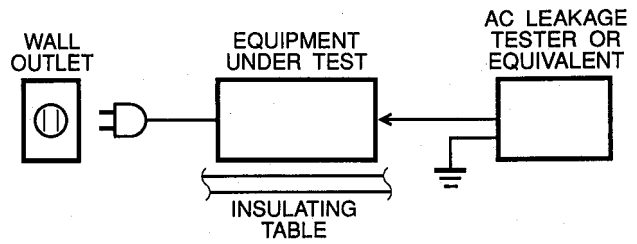
YAMAHA
YAMAHA CORPORATION
P.O.Box1, Hamamatsu, Japan

1.8K-8311 ☐ ⊗ Printed in Japan '93.2

RX-V1070
RX-V870

TO SERVICE PERSONNEL

1. Critical Components Information.
Components having special characteristics are marked and must be replaced with parts having specifications equal to those originally installed.
2. Leakage Current Measurement (For 120V Models Only).
When service has been completed, it is imperative to verify that all exposed conductive surfaces are properly insulated from supply circuits.
 - Meter impedance should be equivalent to 1500 ohm shunted by 0.15µF.
 - Leakage current must not exceed 0.5mA.
 - Be sure to test for leakage with the AC plug in both polarities.



RX-V1070/V870

WARNING: CHEMICAL CONTENT NOTICE!

The solder used in the production of this product contains LEAD. In addition, other electrical/electronic and/or plastic (where applicable) components may also contain traces of chemicals found by the California Health and Welfare Agency (and possibly other entities) to cause cancer and/or birth defects or other reproductive harm.

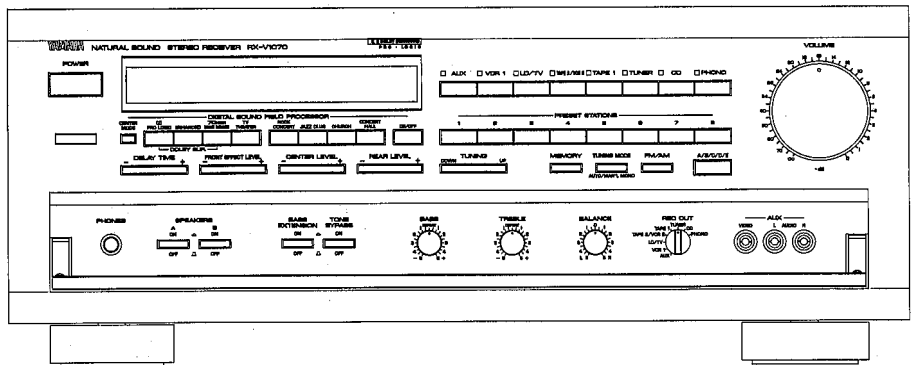
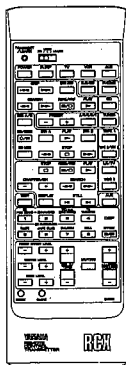
DO NOT PLACE SOLDER, ELECTRICAL/ELECTRONIC OR PLASTIC COMPONENTS IN YOUR MOUTH FOR ANY REASON WHATSOEVER!

Avoid prolonged, unprotected contact between solder and your skin! When soldering, do not inhale solder fumes or expose eyes to solder/flux vapor!

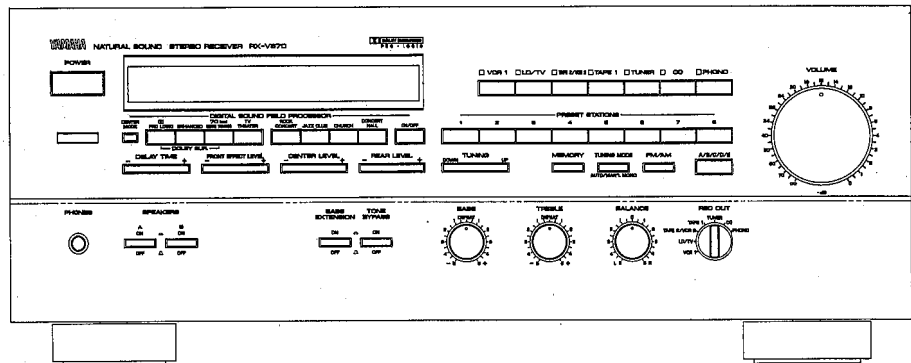
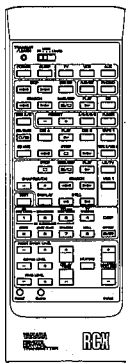
If you come in contact with solder or components located inside the enclosure of this product, wash your hands before handling food.

FRONT PANELS

● RX-V1070



● RX-V870



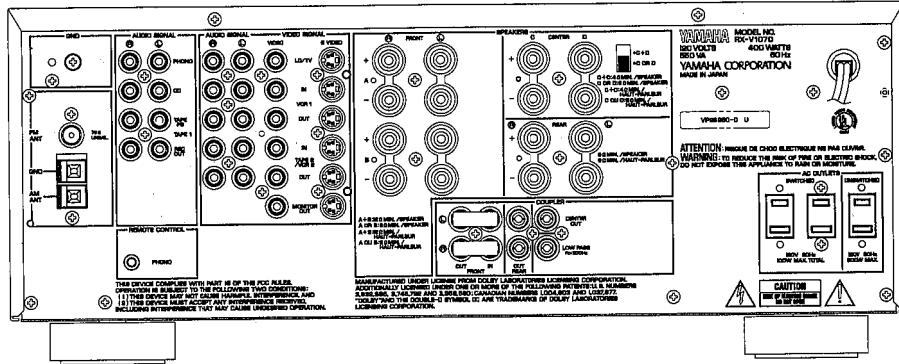
RX-V1070

RX-V870

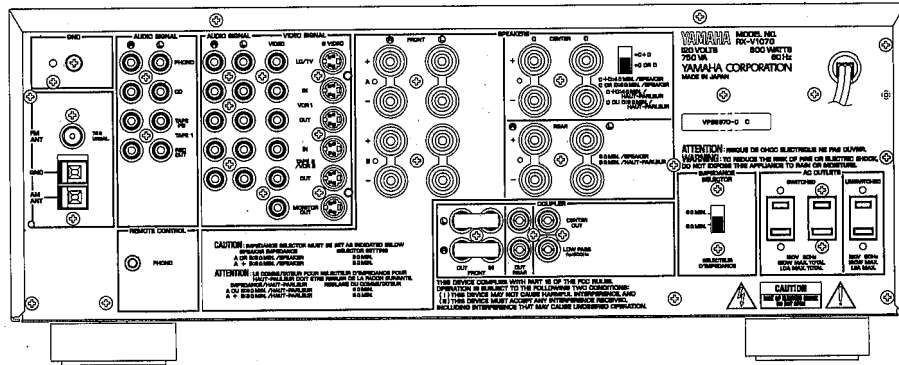
RX-V1070/V870

REAR PANELS

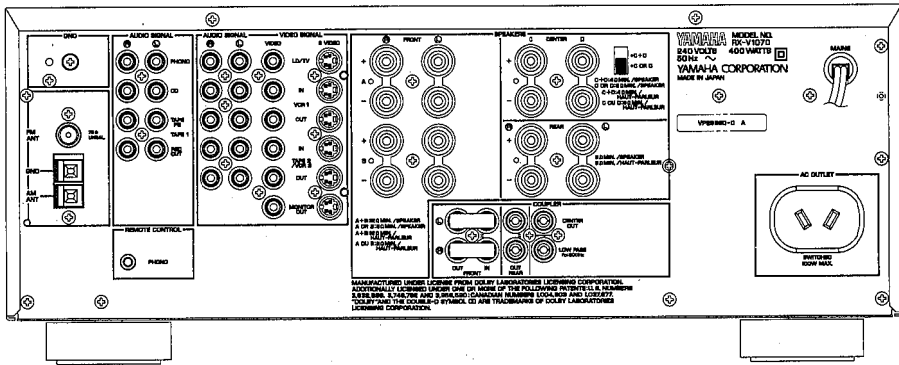
U model



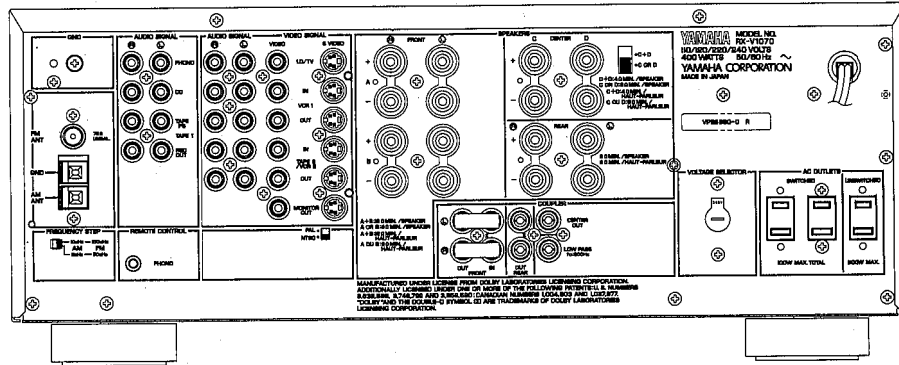
C model



A model



R model



RX-V1070/V870

■ SPECIFICATIONS

■ AUDIO SECTION

Minimum RMS Output Power per Channel

Main (20Hz—20kHz 0.015% THD 8Ω/6Ω)	
RX-V1070	110W/135W
RX-V870	80W/95W
Center (20Hz—20kHz 0.015% THD 8Ω/6Ω)	
RX-V1070	110W/135W
RX-V870	80W/95W
Rear Effect (1kHz 0.08% THD 8Ω/6Ω)	
RX-V1070	30W/40W
RX-V870	25W/28W

Dynamic Power Per Channel

(by IHF Dynamic Headroom measuring method)	
8Ω/6Ω/4Ω	
RX-V1070	160W/190W/230W
RX-V870	110W/140W/155W

Dynamic Headroom

8Ω/6Ω	
RX-V1070	1.6dB/2.0dB
RX-V870	1.4dB/1.7dB

Damping Factor

8Ω, 1kHz	55
----------	----

Input Sensitivity/Impedance

PHONO MM	2.5mV/47kΩ
CD etc	150mV/47kΩ
MAIN IN	1V/47kΩ

Maximum Input Signal (1 kHz 0.01% THD)

PHONO MM	90mV
----------	------

Output Level/Impedance

REC OUT	150mV/470Ω
PRE OUT	1V/3.3kΩ
LOW PASS	0.8V/3.9kΩ

Maximum Voltage Output (1 kHz, 0.01% THD)

PRE OUT	4.8V
---------	------

Headphone Jack Rated Output/Impedance

0.01% THD 1kHz RL=8Ω	0.6V/390Ω
----------------------	-----------

Frequency Response (20 Hz-20 kHz)

CD etc	0±1.5dB
MAIN IN	0±0.3dB

RIAA Equalization Deviation

PHONO MM	±0.5dB
----------	--------

Total Harmonic Distortion (20Hz—20kHz)

PHONO MM to REC OUT (1V)	0.01%
CD etc to PRE OUT (1V)	0.008%
RX-V1070 MAIN IN to SP OUT (50W/8Ω)	0.008%
(60W/6Ω)	0.008%
RX-V870 MAIN IN to SP OUT (40W/8Ω)	0.008%
(50W/6Ω)	0.008%

Signal-to-Noise Ratio (IHF-A Network)

PHONO MM (5mV Input Shorted)	More than 86dB
CD etc (Shorted)	More than 93dB

Residual Noise (IHF-A Network)

150μV

Channel Separation (Vol. -30 dB)

PHONO MM (Input Shorted 1kHz/10kHz)	60dB/45dB
CD etc (Input 5.1kΩ Terminated 1kHz/10kHz)	60dB/45dB

Tone Control Characteristics

BASS : Boost/Cut	±10dB(50Hz)
Turnover Frequency	350Hz
TREBLE : Boost/Cut	±10dB(20kHz)
Turnover Frequency	3.5kHz

Bass Extension

+7dB(50Hz)

Audio Muting

-∞dB

■ VIDEO

Video Signal Type

[U.S.A. and Canada models]	NTSC
[Australia model]	PAL
[General model]	NTSC/PAL

Video Signal Level

1Vp-p/75Ω

S-Video Signal Level

Y	1Vp-p/75Ω
C	0.286Vp-p/75Ω

Maximum Input Level

More than 1.5Vp-p

Signal-to-Noise Ratio

50dB

Frequency Response

5Hz—10MHz, -3dB

■ FM SECTION

Tuning Range

[U and C models]	87.5—107.9MHz
[A and R models]	87.5—108.0MHz

50 dB Quieting Sensitivity (IHF, 75Ω)

Mono	1.55μV(15.1dBf)
Stereo	21μV(37.7dBf)

Usable Sensitivity (75Ω)

(30dB S/N Quieting, 1kHz, 100% mod.) 0.8μV(9.3dBf)

Image Response Ratio

45dB

IF Response Ratio

80dB

Spurious Response Ratio

70dB

AM Suppression Ratio

55dB

Capture Ratio

1.5dB

Alternate Channel Selectivity

85dB

Signal-to-Noise Ratio (IHF)

Mono/Stereo 81dB/76dB

Harmonic Distortion (1kHz)

Mono/Stereo 0.1%/0.2%

Stereo Separation (1kHz)

50dB

Frequency Response

20 Hz—15 kHz 0±1.5dB

■ AM SECTION

Tuning Range

[U, C and R models]	530—1,710kHz
[A and R models]	531—1,611kHz

Usable Sensitivity

100μV/m

Selectivity

32dB

Signal-to-Noise Ratio

50dB

Image Response Ratio

40dB

Spurious Response Ratio

50dB

Harmonic Distortion

0.3%

■ AUDIO SECTION

Output Level/Impedance

FM (100% mod., 1kHz)	700mV/470Ω
AM (30% mod., 400Hz)	200mV/470Ω

■ GENERAL

Power Supply

[U and C models]	AC 120V 60Hz
[A model]	AC 240V 50Hz
[R model]	AC 110/120/220/240V 60/50Hz

Power Consumption

RX-V1070	
A, R models	400W
U model	550VA/400W
C model	750VA/600W
RX-V870	
A, R models	350W
U model	400VA/300W
C model	600VA/500W

AC Outlets

[U and R models]	
2 SWITCHED OUTLETS	100W max. total
1 UNSWITCHED OUTLET	200W max.
[C model]	
2 SWITCHED OUTLETS	120W max. total
	1.0A max. total
1 UNSWITCHED OUTLET	180W max.
	1.5A max.
[A model]	
1 SWITCHED OUTLET	100W max.

Dimensions (W x H x D)

435 x 171.5 x 468.5mm
(17-1/8" x 6-3/4" x 18-7/16")

Weight

RX-V1070	18.6kg (40 lbs 15 oz)
RX-V870	14.8kg (32 lbs 10 oz)

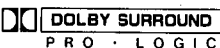
Accessories

AM loop antenna	x 1
Indoor FM antenna	x 1
Remote control transmitter	x 1
Battery	x 2
User program sheet	x 2

**Specifications are subject to change without notice.*

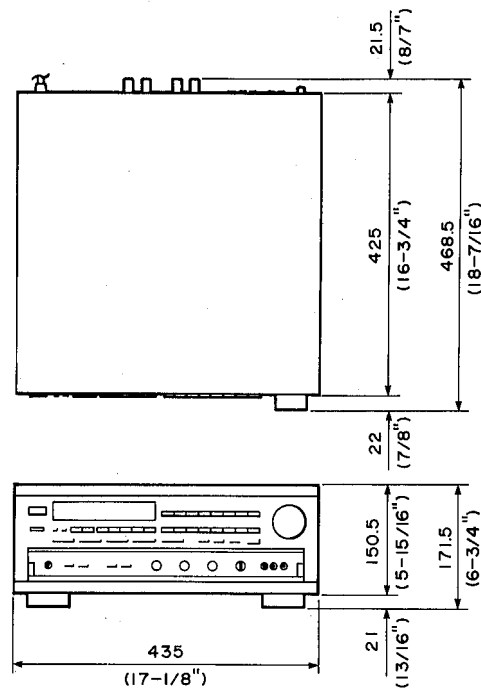
U U. S. A. model
C Canadian model

A Australian model
R General model



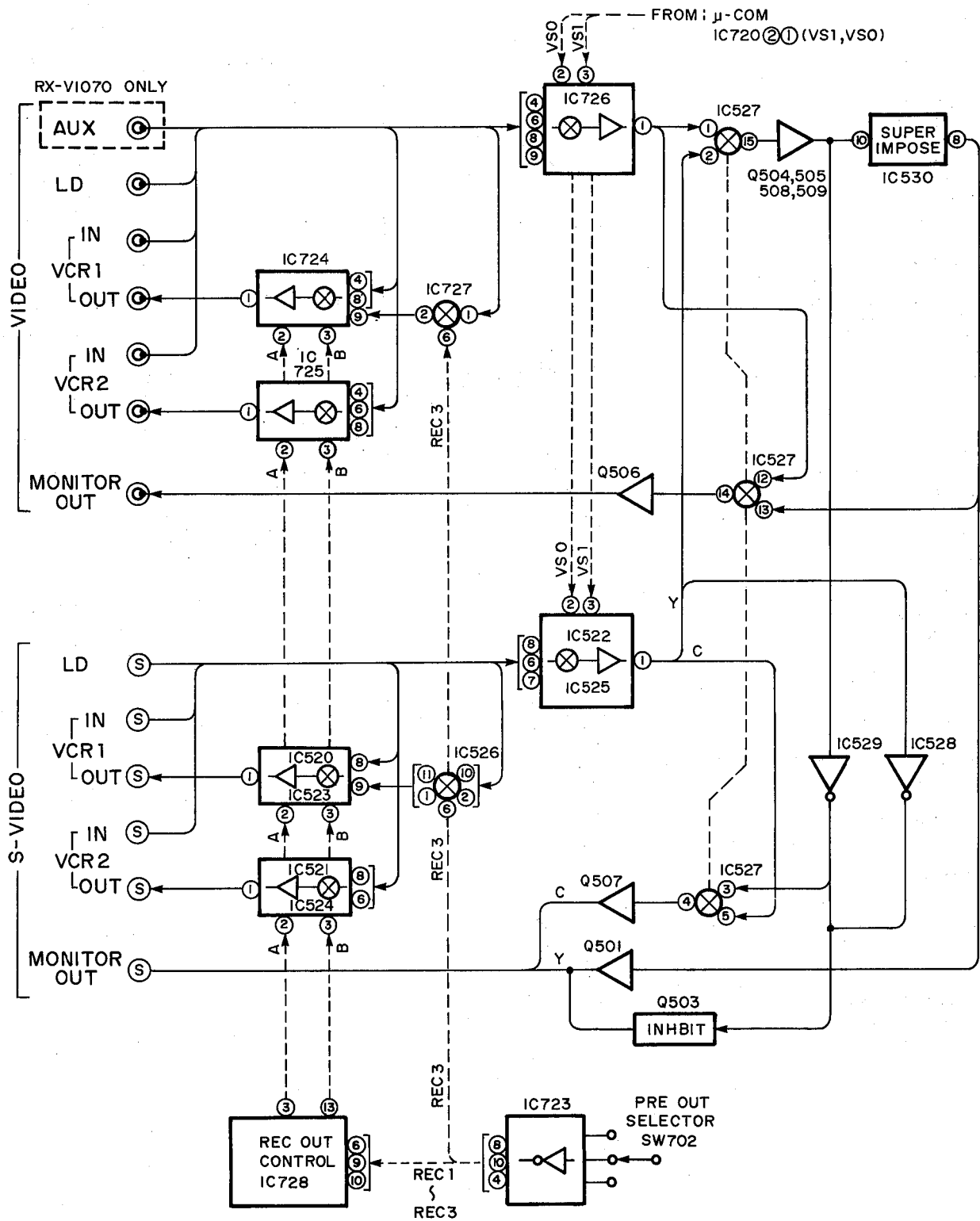
Manufactured under license from Dolby Laboratories Licensing Corporation. Additionally licensed under one or more of the following patents: U. S. numbers 3682, 886, 3746, 792, and 3959, 590; Canada numbers 1004, 603 and 1037, 877. "Dolby" and the double-D symbol are trademarks of Dolby Laboratories Licensing Corporation.

● DIMENSIONS



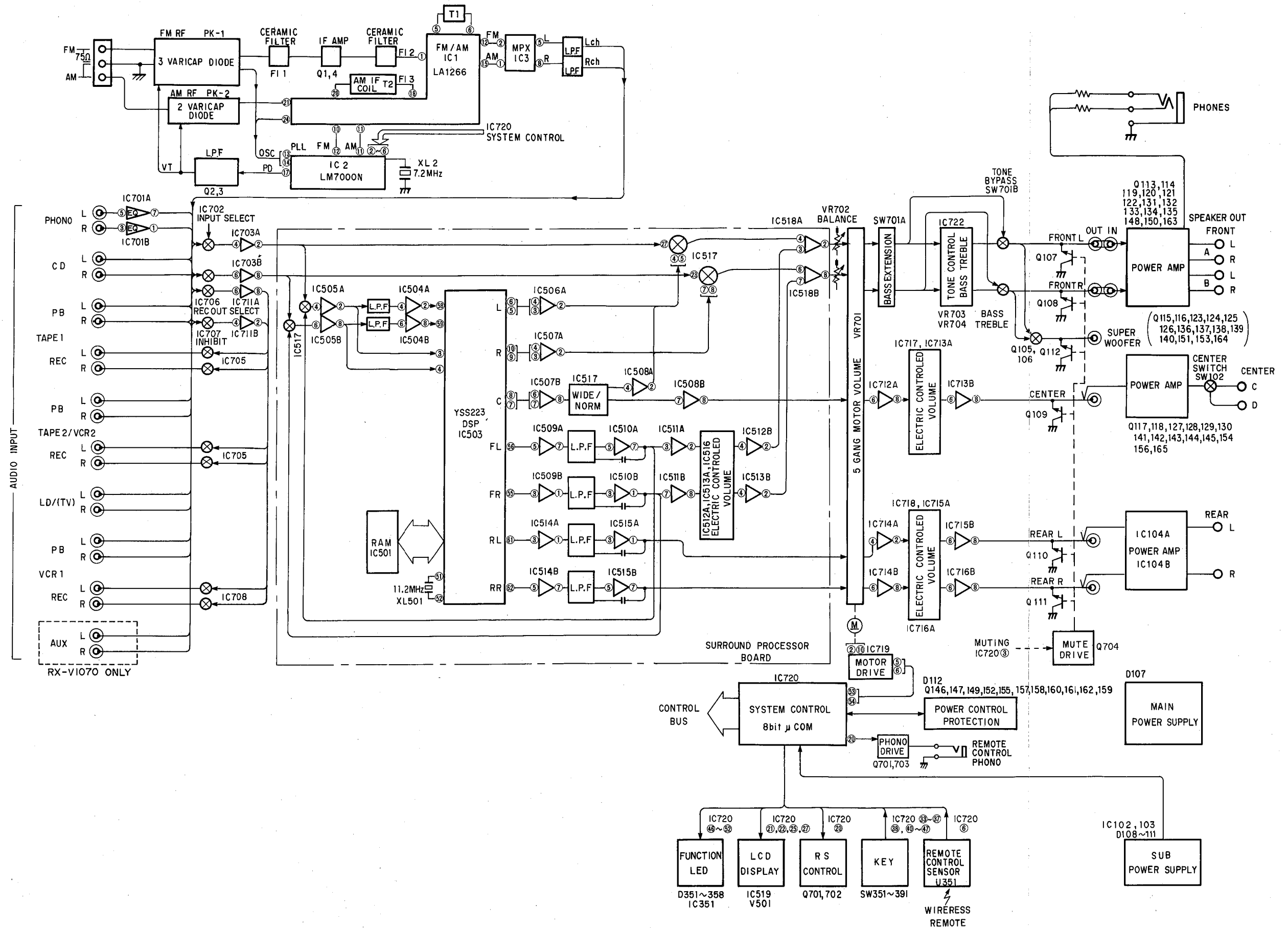
Unit : mm (Inch)

■ BLOCK DIAGRAM

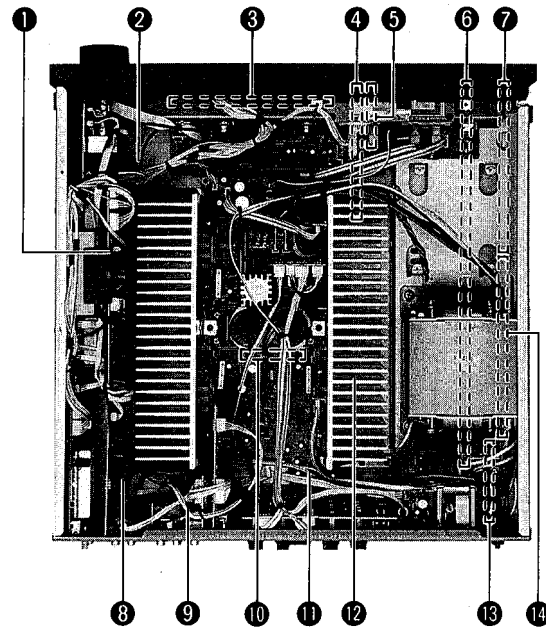


RX-V1070/V870

■ BLOCK DIAGRAM



INTERNAL VIEW



- 1 POWER TRANSFORMER
- 2 MAIN P.C.B. ASS'Y (3)
- 3 MAIN P.C.B. ASS'Y (2)
- 4 INPUT P.C.B. ASS'Y (5)
- 5 INPUT P.C.B. ASS'Y (4)
- 6 INPUT P.C.B. ASS'Y (1)
- 7 TUNER P.C.B. ASS'Y
- 8 MAIN P.C.B. ASS'Y (4)
- 9 DSP P.C.B. ASS'Y (2)
- 10 MAIN P.C.B. ASS'Y (5)
- 11 INPUT P.C.B. ASS'Y (2)
- 12 MAIN P.C.B. ASS'Y (1)
- 13 INPUT P.C.B. ASS'Y (3)
- 14 DSP P.C.B. ASS'Y (1)

写真かき

DISASSEMBLY PROCEDURES
(Remove parts in disassembly order as numbered.)

1. Removal of Top Cover

- a. Remove 4 screws (1) and 2 screws (2) and then remove the top cover in Fig. 1.

2. Removal of Bottom Cover

- a. Remove 12 screws (3) and then remove the bottom cover in Fig. 1.

3. Removal of Front Panel

- a. Remove 5 knobs in Fig. 1.
- b. Remove 3 screws (4) and then remove the front panel in Fig. 1.
- c. Remove connectors #23, #14.

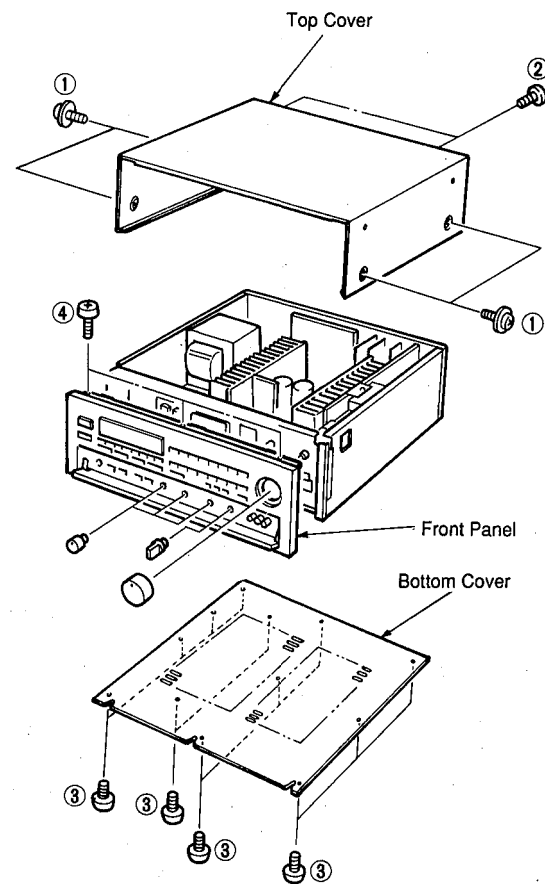


Fig. 1

4. Removal of DSP P.C.B. (1) and Tuner P.C.B.

- a. Remove the plastic rivet (5) and then remove the support PCB in Fig. 2.
- b. Remove 3 screws (6) and 2 screws (7) in Fig. 3.
- c. Remove the plastic rivet (8) in Fig. 2.
- d. Remove the DSP P.C.B. (with shield case RX) and disconnect connectors as necessary.
- e. Remove 3 screws (9) and then remove the Tuner P.C.B. in Fig. 3.

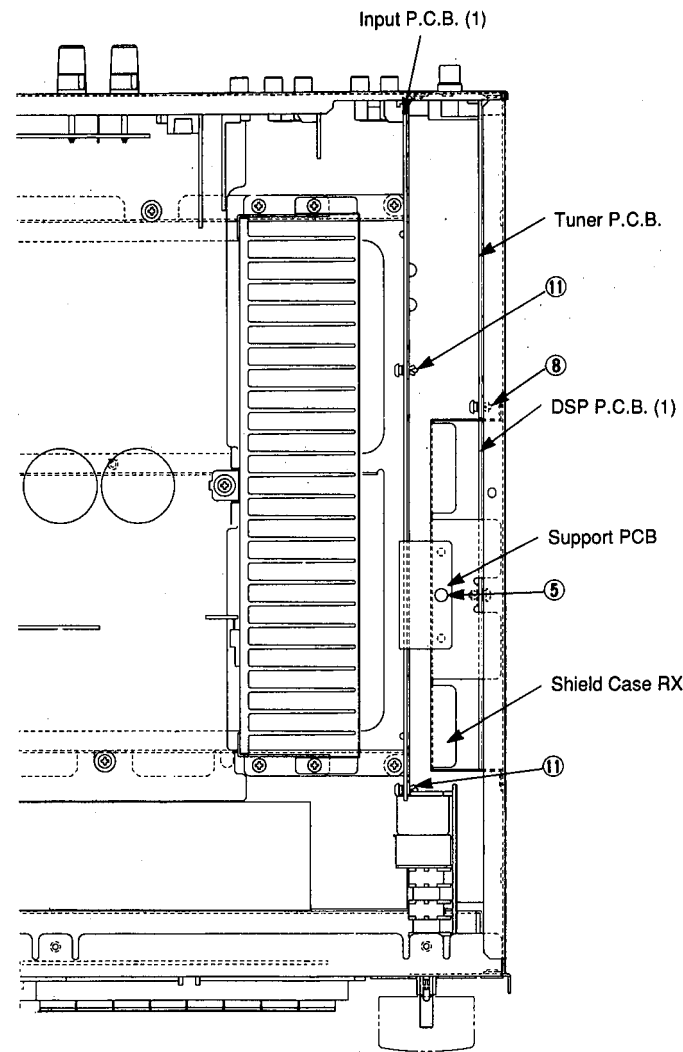


Fig. 2

5. Removal of Input P.C.B. (1)

- a. Remove 2 screws (10) in Fig. 3.
- b. Remove 2 plastic rivets (11) in Fig. 2.
- c. Remove the Input P.C.B. (1) and disconnect connectors as necessary.

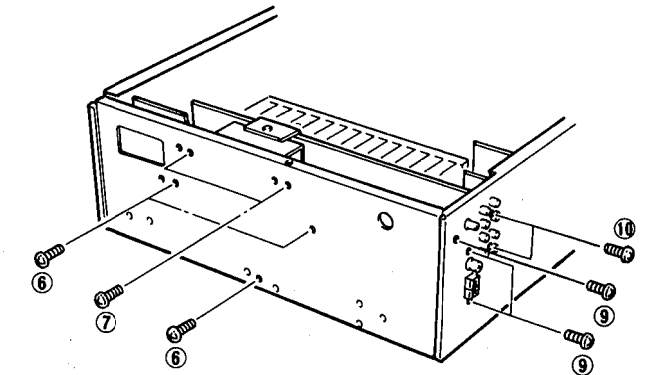
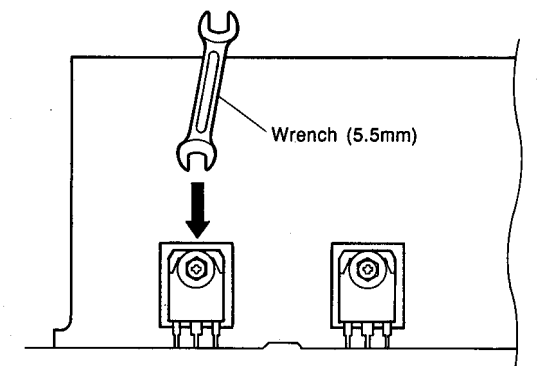


Fig. 3

Removal of Power Transistor

- a. Use a 5.5mm wrench or a small size adjustable wrench.
- b. Using the above tool, remove the screw fixing the Power Transistor.



PROTECTION FUNCTION

The protection function is activated and the power turns OFF when :

1. DC occurs in the output the power amplifier
2. An abnormal current flows to the power amplifier due to such reason as short circuit in the speaker
3. $\pm 12V$ is abnormal

Also, there are cases when the power is turned OFF due to an error in detecting the above conditions or abnormality in the protection circuit itself.

The protection circuit consists of a microcomputer (IC720), Q146, 147 and a peripheral diode.

The function of each element is as follows.

- a) Q146, 147 : Detecting abnormality and sending that signal to the microcomputer (IC720)
- b) PRT (5) terminal of microcomputer (IC720) : Input terminal of the signal from Q146, 147
- c) PWR (17) terminal of microcomputer (IC720) : Output terminal for the signal to the power ON/OFF relay
- d) SPR (4) terminal of microcomputer (IC720) : Output terminal for the ON/OFF signal to the speaker protection relay

The microcomputer does not detect abnormality for 3 or 4 seconds after the power is turned ON. During this time, abnormality can be located by checking the above listed conditions 1 to 5. Before this check, however, make sure to check that there is no danger or smoke.

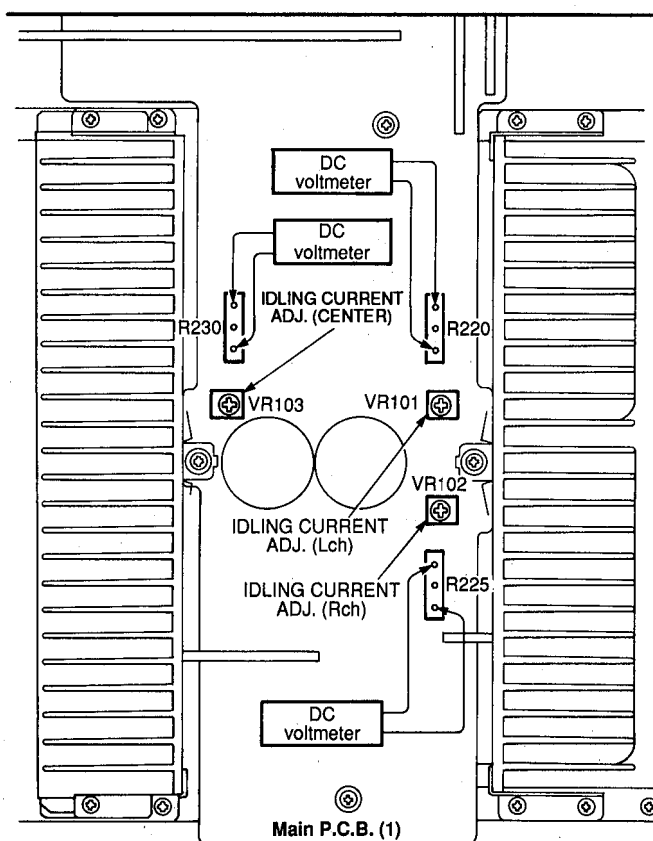
ADJUSTMENT IN POWER AMPLIFIER SECTION

● Idling Current Adjustment

For this adjustment, wait for 2 minutes with no signal applied after the power was turned ON.

Item	Test Point	Adjusted points	Rating(DC)
L ch	Between both terminals of R220	VR101	5mV~10mV
R ch	Between both terminals of R225	VR102	
CENTER	Between both terminals of R230	VR103	5mV~10mV

● Test Point

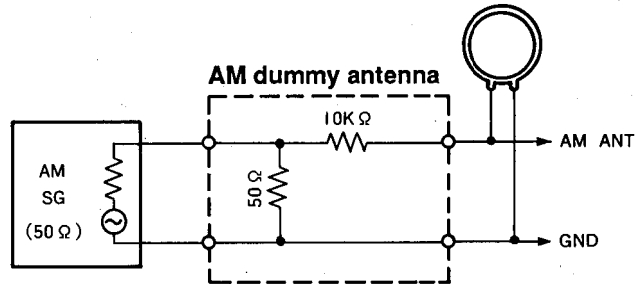
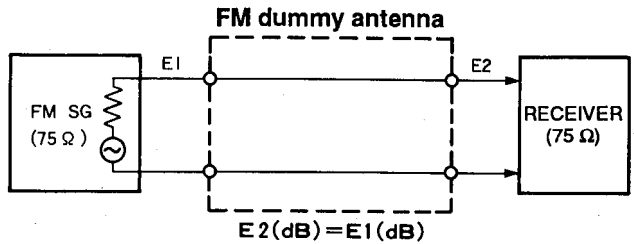
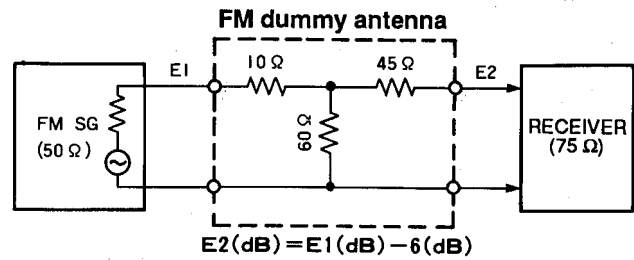


ADJUSTMENT IN TUNER SECTION

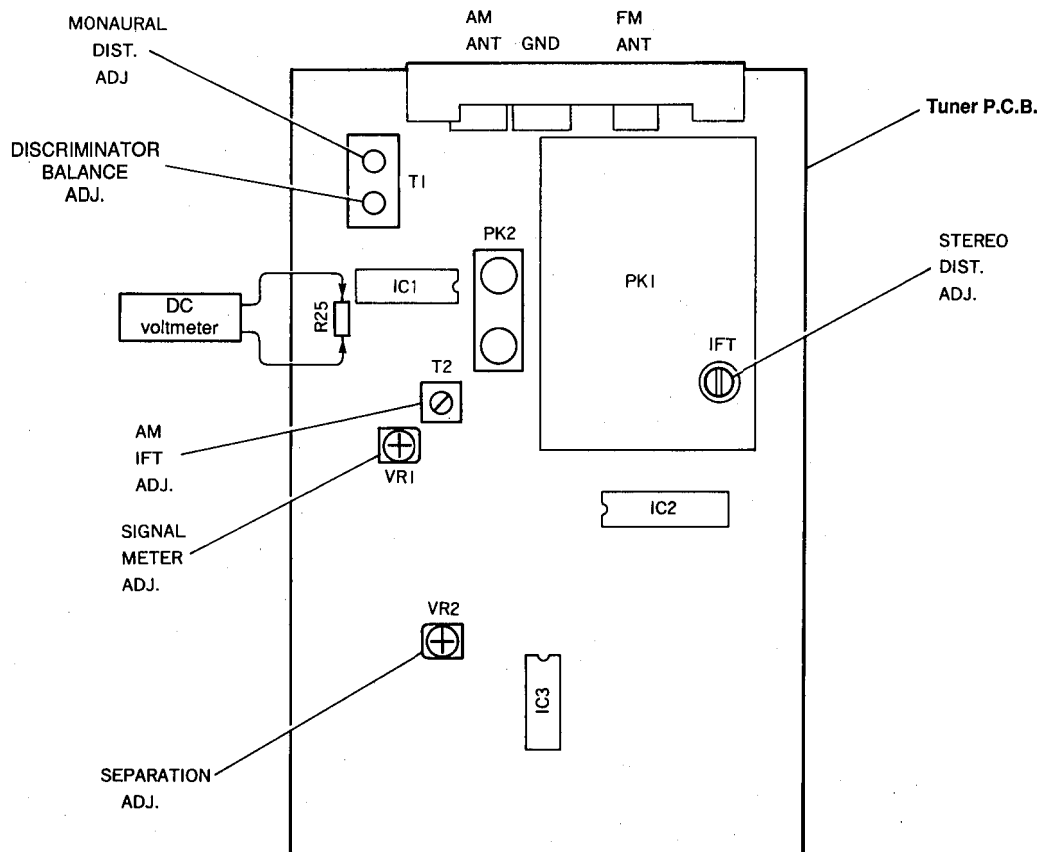
● **Measuring Instruments**

- FM signal generator (FM SG)
- Stereo signal generator (SSG)
- AM signal generator (AM SG)
- Distortion meter (DIST. M)
- AC voltmeter (ACVM)
- DC voltmeter (DCVM)
- Oscilloscope
- Low pass filter (YLF-15, $f_c=15\text{kHz}$)
- Oscillator

● **Dummy antenna**



● **Test point**



RX-V1070/V870

FM Adjustment

● **Before Adjustment**

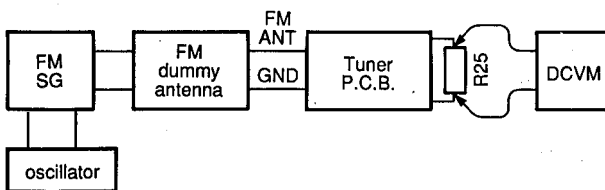
- 1) For dB, $1\mu V=0dB\mu$ applies.
Example : $60dB\mu=1mV$
- 2) 100% modulation means that the frequency deviation is 75kHz.

- 3) Set each switch at the following position unless otherwise specified.

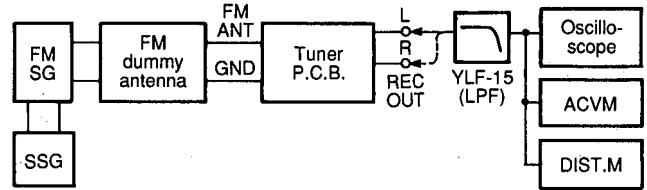
INPUT SELECTOR.....TUNER
 REC OUTTUNER
 TUNING MODEAUTO

● **Connection diagram (Measuring instruments)**

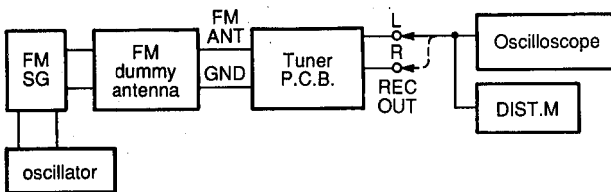
1) **Discriminator balance adjustment**



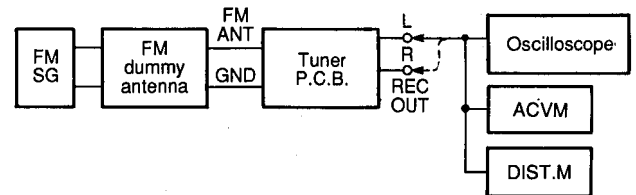
3) **Stereo distortion adjustment/separation adjustment**



2) **Monaural distortion adjustment**



4) **Sensitivity Verification**



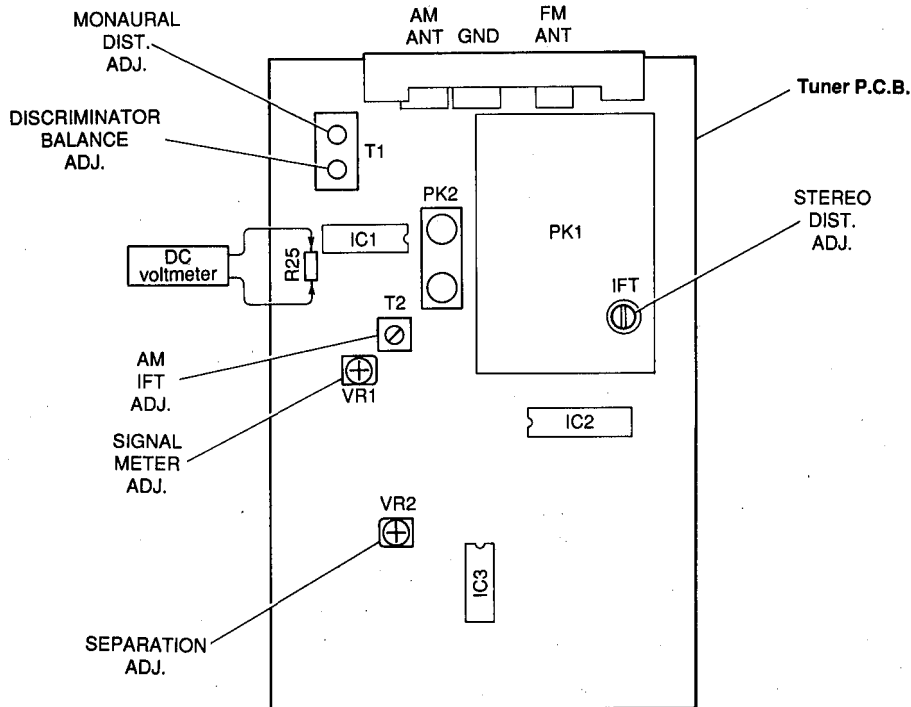
RX-V1070/V870

Step	Adjustment item	Signal (ANT IN)	Reception frequency	Adjusted point	Test point	Rating
1	Rough adjustment of discriminator balance	FM ANT (75Ω) 98.1MHz 70dBμ MONO 100Hz 100% modulation	98.1MHz *(A-4)	T1 (IC side core)	Both ends of R25	DC 0V±100mV
2	Rough adjustment of monaural distortion	Same as Step 1.	98.1MHz *(A-4)	T1 (Antenna side core)	REC OUT L, R	Minimize the distortion.
3	Fine adjustment of discriminator balance	Same as Step 1.	98.1MHz *(A-4)	T1 (IC side core)	Both ends of R25	DC 0V±50mV
4	Fine adjustment of monaural distortion	Same as Step 1.	98.1MHz *(A-4)	T1 (Antenna side core)	REC OUT L, R	Minimize the distortion (to 0.25% or less).
5	Verification of discriminator balance	Same as Step 1.	98.1MHz *(A-4)	T1 (IC side core)	Both ends of R25	DC 0V±50mV

*: Execution of MAKER PRESET (Refer to DIAGNOSTIC OPERATION on pages 15 and 16.) will facilitate setting reception frequency for adjustment.

Step	Adjustment Item	Signal (ANT IN)	Reception frequency	Adjusted point	Test point	Rating
6	Stereo distortion	FM ANT (75Ω) 98.1MHz 70dBμ Stereo L or R 1kHz, 100% modulation	98.1MHz * (A-4) *Tuning mode should be AUTO.	Front end IFT	REC OUT L, R	Distortion should be minimized (1% or less) * STEREO indicator should light. * Note that over-turning IFT will reduce sensitivity.
7	Verification of monaural distortion	FM ANT (75Ω) 98.1MHz 70dBμ MONO 1kHz, 100% modulation	98.1MHz * (A-4)		REC OUT L, R	0.4% or less
8	Verification of sensitivity	FM ANT (75Ω) 88.1MHz 98.1MHz 106.1MHz 70dBμ MONO 1kHz, 100% modulation	88.1MHz * (A-6) 98.1MHz * (A-4) 106.1MHz * (A-7)		ANT (75Ω)	Set the tuning mode to MAN'L MONO. S/N should be 30dB at each frequency of 88.1MHz, 98.1MHz, and 106.1MHz. Check to ensure that the voltage at the ANT terminal is 3dBμ (14.25dBf) or less.
9	Separation	FM ANT (75Ω) 98.1MHz 70dBμ Stereo L or R 1kHz, 100% modulation	98.1MHz * (A-4)	VR2	REC OUT L, R	With SSG output at L or R, the signal leakage level at the other channel should be minimized. 36dB or more
10	Signal meter	FM ANT (75Ω) 98.1MHz 45dBμ MONO 1kHz 30% modulation	98.1MHz * (A-4)	VR1		Adjust so that all signal meters light.
		-10dBμ or less				Check to ensure that signal meters turn OFF.
11	Verification of auto tuning	FM ANT (75Ω) 98.1MHz 23dBμ STEREO L or R 1kHz 30% modulation	98.1MHz			<ul style="list-style-type: none"> • Automatic reception should be available when the tuning key is moved UP and DOWN. • The stereo indicator should light. • Audio muting should be applied during tuning.

* :Execution of MAKER PRESET (Refer to DIAGNOSTIC OPERATION on pages 15 and 16.) will facilitate setting reception frequency for adjustment.

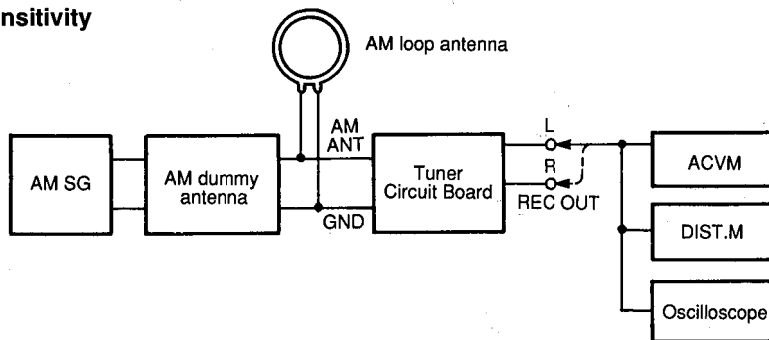


RX-V1070/V870

AM Adjustment (This should be done after FM adjustment.)

● Connection Diagram (Measuring instruments)

1) Adjustment of sensitivity



Step	Adjustment item	Signal (ANT IN)	Reception frequency	Adjusted point	Test point	Rating
1	Adjustment of sensitivity	AM ANT 630kHz 50dBμ 400Hz, 30% modulation	630kHz * (B-1)	T2	REC OUT	Audio output should be maximized.
2	Verification of sensitivity	AM ANT 630kHz 1080kHz 1440kHz, 30% modulation	630kHz * (B-1) 1080kHz * (B-2) 1440kHz * (B-3)		AM ANT	Distortion should be 10% or less at each frequency. Check to ensure that the voltage at the ANT terminal is 54dBμ or less.
3	Verification of signal meter	AM ANT 1080kHz 90dBμ -10dBμ or less	1080kHz * (B-2)			All signal meters should light. All signal meters should turn OFF.
4	Verification of auto tuning	AM ANT 1080kHz 60dBμ	1080kHz * (B-2)			Auto reception should be available when the tuning key is moved UP and DOWN.

DIAGNOSTIC OPERATION

1. Start and cancellation

- Turn ON the POWER switch while pressing three keys, TUNER PRESET keys No. 1, 2 and 3, simultaneously, and PRESET No. 1 of the self-diagnosis mode is started. Then using PRESET keys No. 1 to 8, diagnosis as described below is executed.
- Turning OFF the POWER or pressing PRESET key No. 8 will restore the normal operation and the self-diagnosis mode will be cancelled.

(NOTE)

Mode cancelled at POWER OFF	Maker preset
Mode cancelled at PRESET No. 8 key ON	Maker not preset

* To keep the user memory, the self-diagnosis mode should be cancelled by using PRESET key No. 8.

(NOTE) Operation possible during diagnosis : Power (ON/OFF)/input select/center mode (diag No. 1, 2, 6, 7) Master volume/muting/effect level

2. Content of Diagnosis

PRESET No. 1 — LCD all ON

- Every LCD segment turns ON (every LCD lights).
- Surround is set to PRO LOGIC.
- The front, center and rear level is "80" each.

PRESET No. 2 — LED check, LCD inhibit

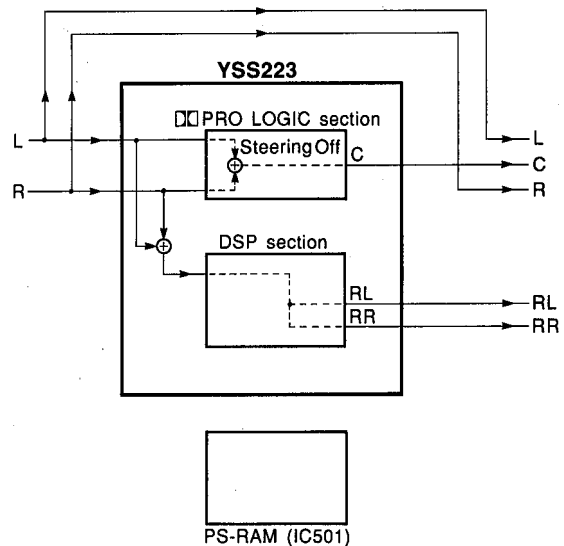
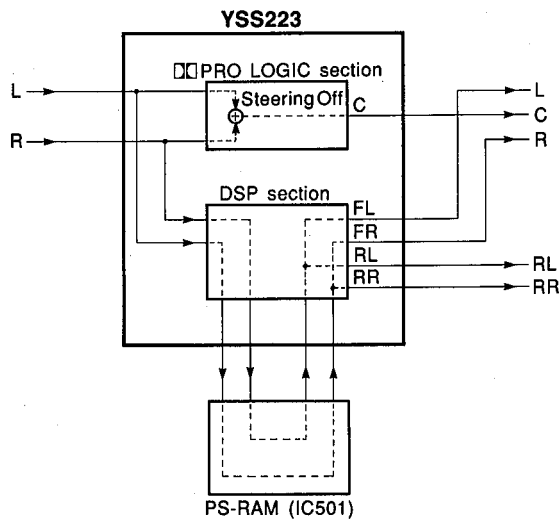
- LED : Lighting occurs in the order of PHONE → CD → TUNER → TAPE 1 → TAPE 2/VCR 2 → LD → VCR 1 (→ AUX) (*AUX is applicable to RX-V1070 only.)
- LCD : All ON while checking LED. After checking, "2 SELF" appears on the display.

PRESET No. 3 — DSP THROUGH A (2 ch THROUGH)

- FL/FR and RL/RR pass through the PS-RAM and are output through the DSP.
- CENTER is output without its directional quality emphasized (with the steering OFF).
- LCD displays "3 SELF".

PRESET No. 4 — DSP THROUGH B

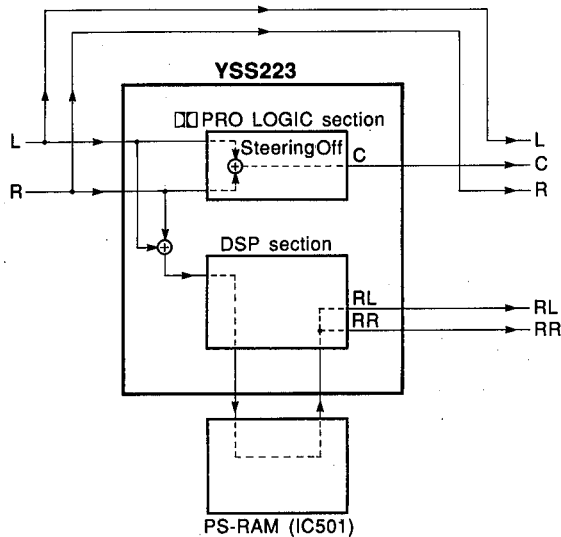
- MAIN L/R is output through the bypass.
- CENTER is output with the steering OFF.
- RL/RR is output through the DSP.
- LCD displays "4 SELF".



RX-V1070/V870

PRESET No. 5 — RAM THROUGH

- MAIN L/R is output through the bypass.
- CENTER is output with the steering OFF.
- RL/RR passes through the PS-RAM and is output through the DSP.
- LCD displays "5 SELF".



PRESET No. 6 — PRO LOGIC/Auto input balance OFF

- The auto input balance which is ON in the normal mode is turned OFF (PRO LOGIC).
- The LCD displays "6 SELF" and the center mode.

PRESET No. 7 — MANUAL TEST TONE

- Every time PRESET key No. 7 is pressed, the TEST TONE shifts in the order of $L \rightarrow C \rightarrow R \rightarrow S$ and is output.
- The LCD displays "L", "C", "R", "S" respectively, "7 SELF" and the center mode.

PRESET No. 8 — EXIT

- the self-diagnosis mode is cancelled and returns the normal operation mode is restored.
- * Here, the content stored in the memory by the user is kept.

RX-V1070/V870

● Maker Preset

1) TUNER section

Preset group	P1	P2	P3	P4	P5	P6	P7	P8
A, C, E	87.5MHz	90.1MHz	95.1MHz	98.1MHz	U, C : 107.9MHz A, R : 108.0MHz	88.1MHz	106.1MHz	U, C : 107.9MHz A, R : 108.0MHz
B, D	630kHz	1080kHz	1440kHz	U, C : 530kHz A, R : 531kHz	U, C : 1710kHz A, R : 1611kHz	900kHz	1350kHz	U, C : 1400kHz A, R : 1404kHz

All tuning modes are AUTO TUNING and AUTO STEREO.

2) SURROUND section

- DELAY TIME** : PRO LOGIC 20ms
 ENHANCED 20ms
 70mm MOVIE THEATER 20ms
 TV THEATER 20ms
 ROCK CONCERT 22ms
 JAZZ CLUB 26ms
 CHURCH 40ms
 CONCERT HALL 30ms
- CENTER MODE** : NORMAL
- VOLUME LEVEL** : FRONT EFFECT "80"
 CENTER "80"
 REAR "80"

3) SELECTOR section

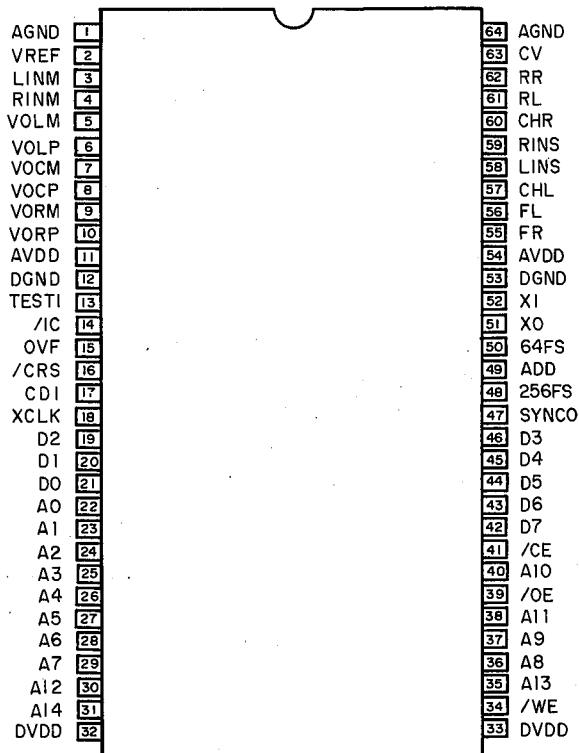
- INPUT** : CD
MONITOR OUT : LD

Pin No.	Name	Function	Power On	Power Off	Back Up
1	P60 - VS0	Video switch to 0	0	OL	→
2	P61 - VS1	Video switch to 1	0	OL	→
3	P62 - FMT	Full mute	0	OL	→
4	P63 - SPR	Speaker relay	0	OL	→
5	P64 - PRT	Protection detect	I	→	→
6	P65 - REM	Remote control input interrupt	I	→	→
7	P66 - PDET	Power detect interrupt	I	→	→
8	RES	RESET			
9	XTAL	20MHz			
10	EXTAL	OSC			
11	MD1	H			
12	MD0	H			
13	NMI	H			
14	VCC	+5V			
15	SYBY	H			
16	Vss	GND			
17	P40 - PWR	Power relay	0	OL	→
18	P41 - CEV	R/C VOL CE	0	OL	→
19	P42 - CEF	F VOL/FNC CE	0	OL	→
20	P43 - PHN	PHN PLY/CUT	0	OL	→
21	P44 - INH	LCD INHBIT	0	OL	→
22	P45 - CELC	LCD CE	0	OL	→
23	P46 - I/E	INT/EXT synchronous	I	→	→
24	P47 - P/N	PAL/NTSC switching	I (pu)	I	→
25	P50 - TXD0	Serial data	0	OL	→
26	P51 - CESI	On screen CE	0	OL	→
27	P52 - SCK0	Serial clock	0	OL	→
28	P53 - TXD1	DSP serial data	0	OL	→
29	P54 - CRS	DSP reset	0	OL	→
30	P55 - SCK1	DSP serial clock	0	OL	→
31	P70 - V0	870/1070	I (pu)	I	→
32	P72 - CET	LM700 CE	0	OL	→
33	P72 - D0	DIGIT 0	0	OL	→
34	P73 - D1	DIGIT 1	0	OL	→
35	P74 - D2	DIGIT 2	0	OL	→
36	P75 - D3	DIGIT 3	0	OL	→
37	P76 - D4	DIGIT 4	0	OL	→
38	P77 - PSW	Power switch	I	→	→
39	VCC	+5V			
40	P27 - K7	Key input 7	I	→	→
41	P26 - K6	Key input 6	I	→	→
42	P25 - K5	Key input 5	I	→	→
43	P24 - K4	Key input 4	I	→	→
44	P23 - K3	Key input 3	I	→	→
45	P22 - K2	Key input 2	I	→	→
46	P21 - K1	Key input 1	I	→	→
47	P20 - K0	Key input 0	I	→	→
48	Vss	GND			
49	P17 - LED2	INPUT LED 0	0	OL	→
50	P16 - LED1	INPUT LED 1	0	OL	→
51	P15 - LED0	INPUT LED 2	0	OL	→
52	P14 - CELE	HC138 CE	0	OL	→
53	P13 - VLU	Volume up	0	OL	→
54	P12 - VLD	Volume down	0	OL	→
55	P11 - IND	Volume LED	0	I	→
56	P10 - STBY	Stand-by LED	OL	0	I
57	P30 - STO	Tuning stop	I	→	→
58	P31 - STRQ	IF counting request	0	OL	→
59	P32 - SIG	Synchronous signal	I	→	→
60	P33 - MONO	Forced mono	0	OL	→
61	P34 - TMT	Tuner mute	0	OL	→
62	P35 - STR	Stereo detect	I	→	→
63	P36 - V1	Destination 0	I (pu)	→	I
64	P37 - V2	Destination 1	I (pu)	→	I

Note) In the above table, $\bar{\quad}$ means the negative logic and (pu) an internal pull-up.

RX-V1070
RX-V870

IC503 : YSS223-K
Digital Dolby Pro Logic Decoder with Auto Input Balance



RX-V1070/V870

Pin No.	Pin Name	I/O	Function
1	AGND	A—	Ground (Analog section)
2	VREF	AI	Multiplaying DAC reference voltage input
3	LINM	AI	L channel Multiplaying DAC input
4	RINM	AI	R channel Multiplaying DAC input
5	VOLM	AO	L channel operation amplifier, connected to (-) terminal
6	VOLP	AO	L channel operation amplifier, connected to (+) terminal
7	VOCM	AO	C channel operation amplifier, connected to (-) terminal
8	VOCP	AO	C channel operation amplifier, connected to (+) terminal
9	VORM	AO	R channel operation amplifier, connected to (-) terminal
10	VORP	AO	R channel operation amplifier, connected to (+) terminal
11	AVDD	A—	+5V power supply (Analog section)
12	DGND	—	Ground (digital section)
13	TESTI	Ic	LSI test terminal Normally connected to DGND
14	/IC	Ics	Initial clear terminal (Power ON resetting is necessary)
15	OVF	O	A/D Converter, Overflow detect terminal
16	CRS	Irs	Microprocessor interface reset terminal
17	CDI	Irs	Microprocessor interface data input terminal
18	XCLK	Irs	Microprocessor interface clock input terminal
19	D2	I/Ot	External delay RAM data terminal
20	D1	I/Ot	External delay RAM data terminal

Pin No.	Pin Name	I/O	Function
21	D0	I/Ot	External delay RAM data terminal
22	A0	O	External data RAM address terminal
23	A1	O	External data RAM address terminal
24	A2	O	External data RAM address terminal
25	A3	O	External data RAM address terminal
26	A4	O	External data RAM address terminal
27	A5	O	External data RAM address terminal
28	A6	O	External data RAM address terminal
29	A7	O	External data RAM address terminal
30	A12	O	External data RAM address terminal
31	A14	O	External data RAM address terminal
32	DVDD	—	+5V power supply (digital section)
33	DVDD	—	+5V power supply (digital section)
34	/WE	O	External delay RAM write enable terminal
35	A13	O	External delay RAM address terminal
36	A8	O	External delay RAM address terminal
37	A9	O	External delay RAM address terminal
38	A11	O	External delay RAM address terminal
39	/OE	O	External delay RAM output enable terminal
40	A10	O	External delay RAM address terminal
41	/CE	O	External delay RAM chip enable terminal
42	D7	I/Ot	External delay RAM data terminal
43	D6	I/Ot	External delay RAM data terminal
44	D5	I/Ot	External delay RAM data terminal
45	D4	I/Ot	External delay RAM data terminal
46	D3	I/Ot	External delay RAM data terminal
47	SYNCO	O	External A/D converter word clock terminal
48	256FS	O	External A/D converter 256fs clock terminal
49	ADD	I _t	External A/D converter data input terminal
50	64FS	O	External A/D converter 64fs clock terminal
51	XO	O	Crystal oscillator connecting terminal
52	XI	I	Crystal oscillator connecting terminal
53	DGND	—	Ground (digital section)
54	AVDD	A—	+5V power supply (Analog section)
55	FR	AO	FR channel D/A input
56	FL	AO	FL channel D/A output
57	CHL	A—	LINS input Sample/hold Capacitor external terminal
58	LINS	AI	L channel A/D input
59	RINS	AI	R channel A/D input
60	CHR	A—	RINS input Sample/hold Capacitor external terminal
61	RL	AO	RL channel D/A output
62	RR	AO	RR channel D/A input
63	CV	AO	A/D, multiplying DAC center voltage
64	AGND	A—	Ground (Analog section)

Note : Alphabets used in the above I/O column represent as follows.

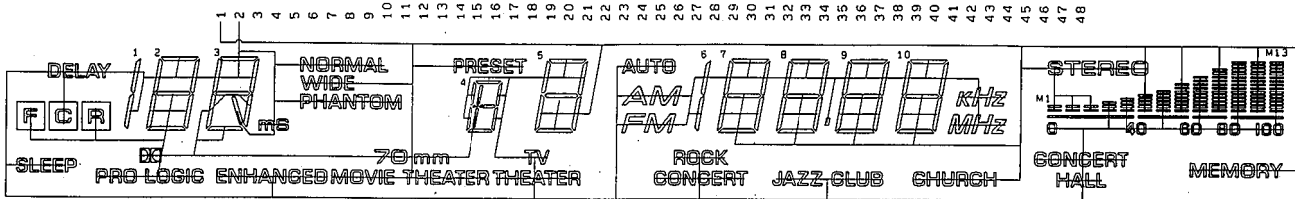
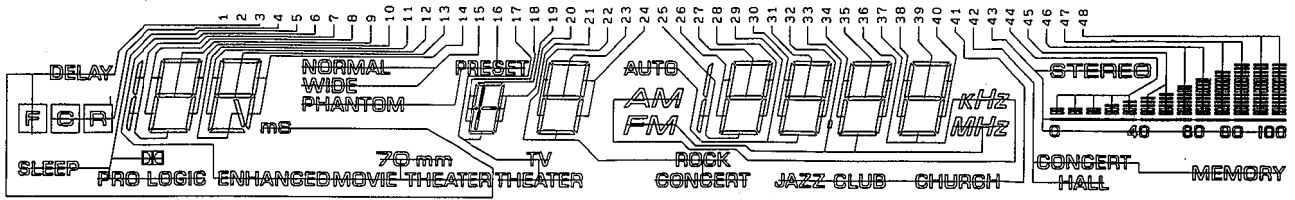
I : Input terminal O : Output terminal t : TTL level

C : CMOS level S : Schmidt input

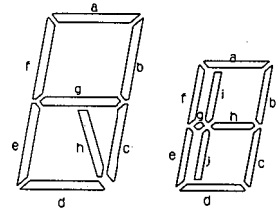
RX-V1070
RX-V870

■ DISPLAY DATA

● V501 : LCD8245B1 (VP628400)



RX-V1070/V870



No.	COM 1	COM 2	No.	COM 1	COM 2	No.	COM 1	COM 2
1	—	COM	17	TV THEATER	4 d	33	FM, DP MHz	9 d
2	COM	—	18	4 ef	4 g	34	9 f	9 e
3	DELAY ms	F	19	4 a	4 ij	35	9 a	9 g
4	C	R	20	4 bc	4 h	36	9 b	9 c
5	SLEEP	1)	21	ROCK CONCERT	5 d	37	AM kHz	10 d
6	ENHANCED	2)	22	5 f	5 e	38	10 f	10 e
7	1bc	2 d	23	5 a	5 g	39	10 a	10 g
8	2 f	2 e	24	5 b	5 c	40	10 b	10 c
9	2 a	2 g	25	6 bc	7 d	41	JAZZ CLUB	CHURCH
10	2 b	2 c	26	7 f	7 e	42	CONCERT HALL	MEMORY
11	3 h	3 d	27	7 a	7 g	43	3)	STEREO
12	3 f	3 e	28	7 b	7 c	44	M4, M5	M1, M2, M3
13	3 a	3 g	29	AUTO	8 d	45	M7	M6
14	3 b	3 c	30	8 f	8 e	46	M9	M8
15	NORMAL	WIDE	31	8 a	8 g	47	M11	M10
16	PHANTOM	PRESET	32	8 b	8 c	48	M13	M12

1) PRO LOGIC

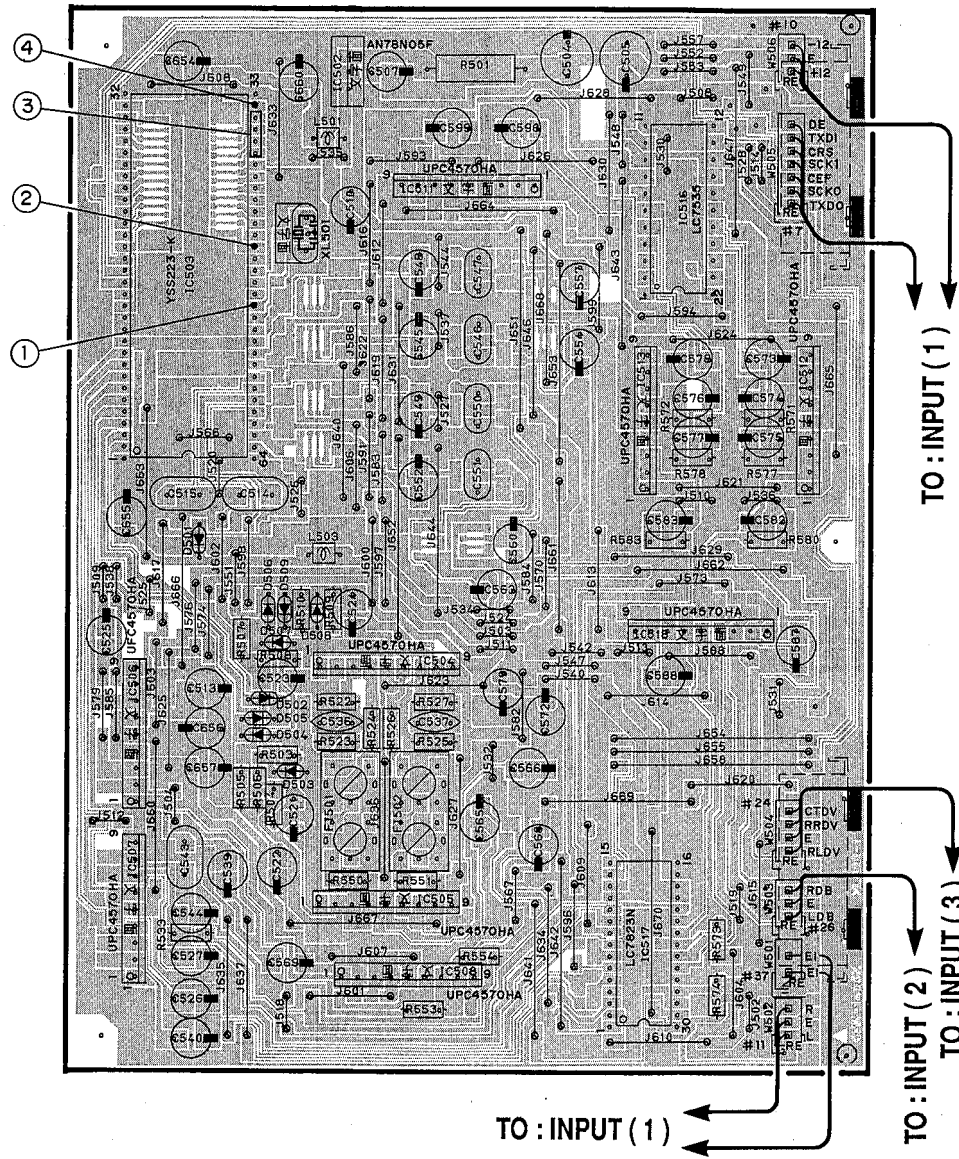
2) 70mm MOVIE THEATER

3) 0 40 60 80 100

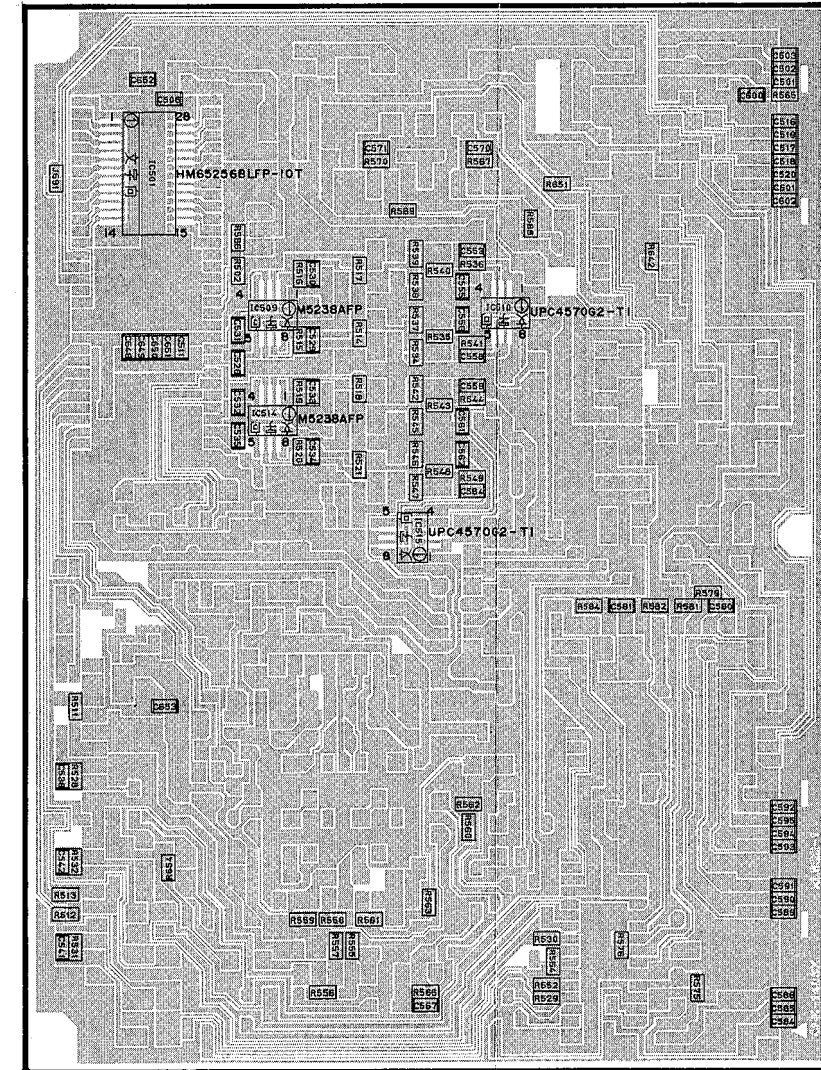
■ PRINTED CIRCUIT BOARD (Foil side)

① to ⑦ : WAVEFORM OF TEST POINT (See page 42)

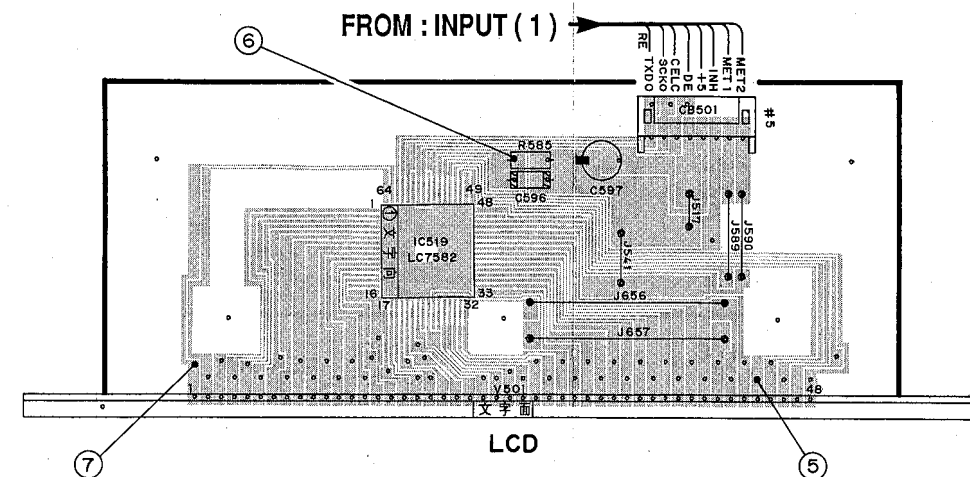
RX-V1070/V870 DSP P. C. B. (1)



RX-V1070/V870 DSP P. C. B. (1)



RX-V1070/V870 DSP P. C. B. (2)



● Semiconductor Location

Ref. No.	Location	Ref. No.	Location	Ref. No.	Location
D 501	B3	IC504	B3	IC516	C2
D 502	B3	IC505	B3	IC517	C4
D 503	B3	IC506	B3	IC518	C3
D 504	B3	IC507	B3	IC519	F5
D 505	B3	IC508	B3		
D 506	B3	IC509	F2		
D 507	B3	IC510	F2		
D 508	B3	IC511	B2		
D 509	B3	IC512	C2		
IC501	E2	IC513	C2		
IC502	B2	IC514	F2		
IC503	B2	IC515	F3		

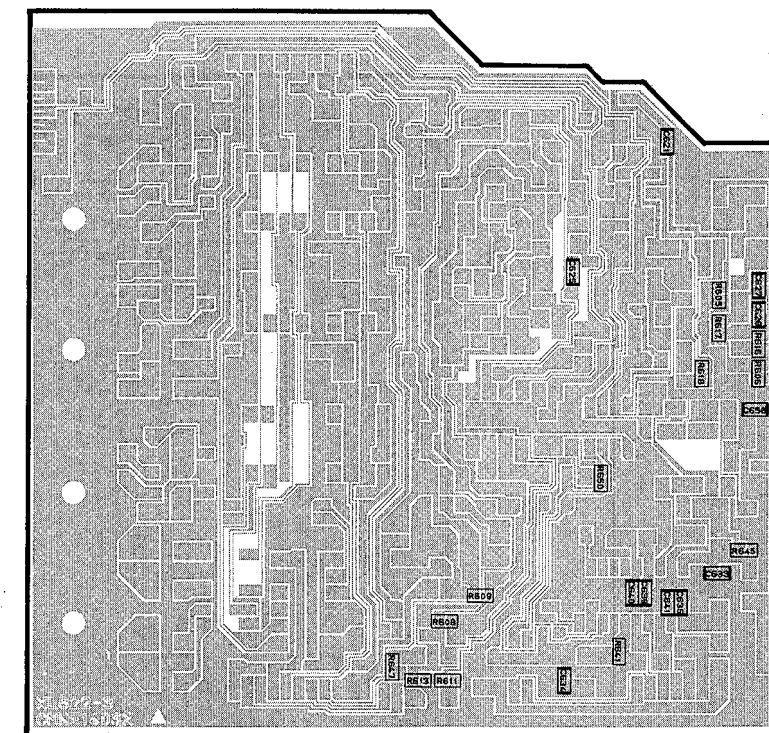
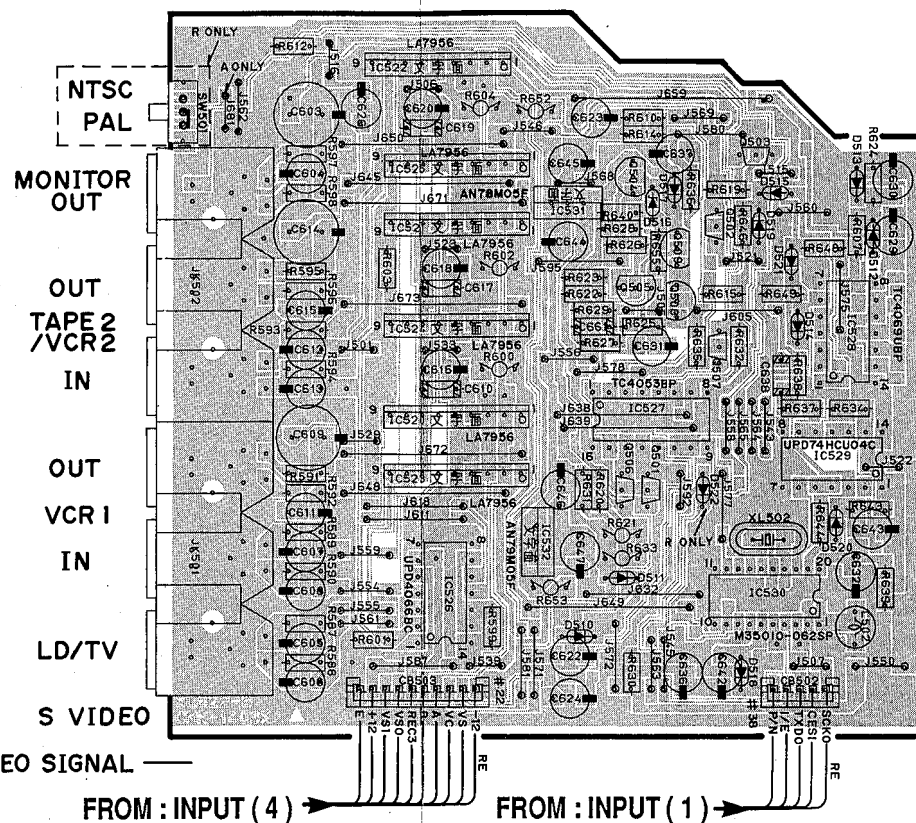
PRINTED CIRCUIT BOARD (Foil side)

Semiconductor Location

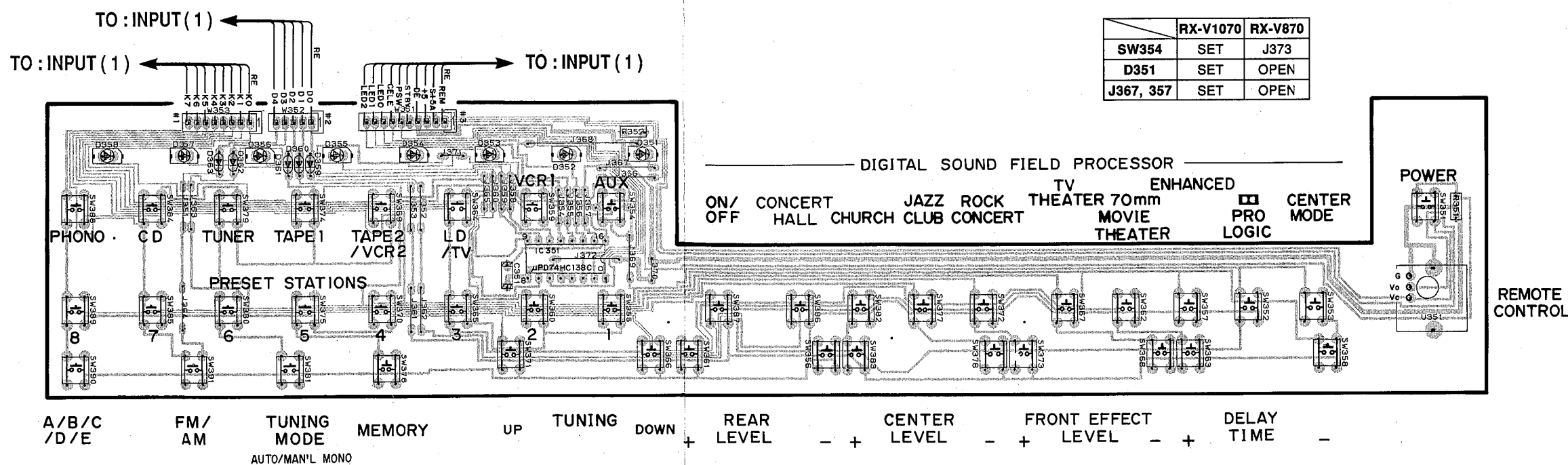
Ref. No.	Location
D 510	E3
D 511	E3
D 512	F2
D 513	F2
D 514	E2
D 515	E2
D 516	E2
D 517	E2
D 518	E3
D 519	E2
D 520	F3
D 521	E2
D 522	E3
IC 520	D2
IC 521	D2
IC 522	D1
IC 523	D2
IC 524	D2
IC 525	D2
IC 526	D3
IC 527	E2
IC 528	F2
IC 529	F2
IC 530	E3
IC 531	E2
IC 532	E3
Q 501	E3
Q 502	E2
Q 503	E2
Q 504	E2
Q 505	E2
Q 506	E3
Q 507	E2
Q 508	E2
Q 509	E2

RX-V1070/V870 DSP P. C. B. (3)

RX-V1070/V870 DSP P. C. B. (3)



RX-V1070/V870 OPERATION P. C. B. (1)



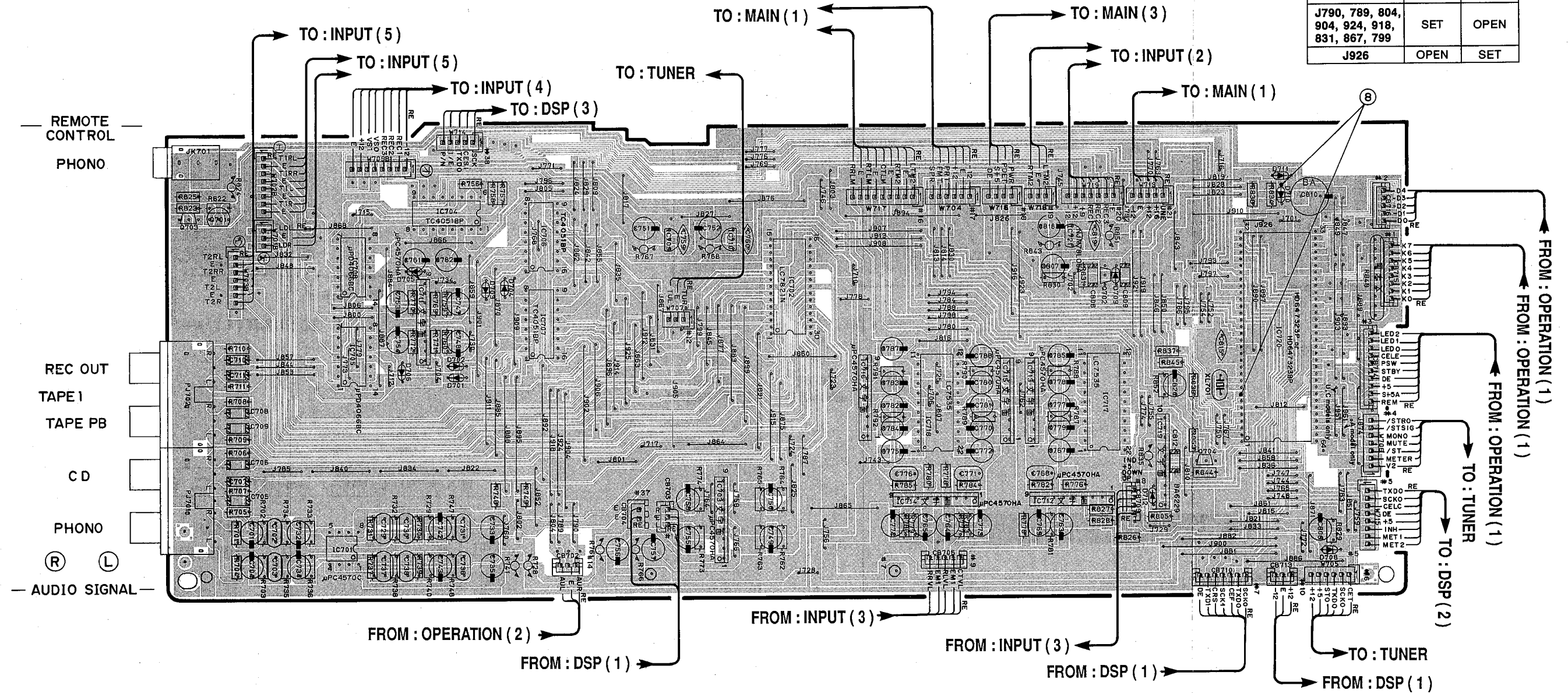
	RX-V1070	RX-V870
SW354	SET	J373
D351	SET	OPEN
J367, 357	SET	OPEN

■ PRINTED CIRCUIT BOARD (Foil side)

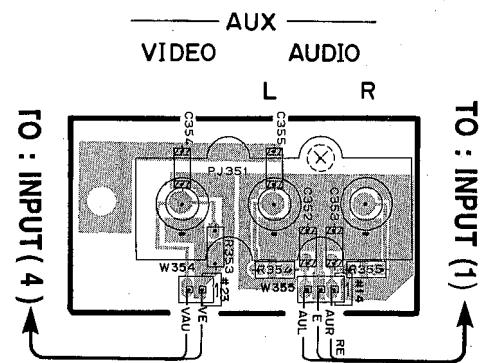
⑧ : WAVEFORM OF TEST POINT (See page 43)

RX-V1070/V870 INPUT P. C. B. (1)

	RX-V1070	RX-V870
CB702	SET	OPEN
J790, 789, 804, 904, 924, 918, 831, 867, 799	SET	OPEN
J926	OPEN	SET



RX-V1070 OPERATION P. C. B. (2)

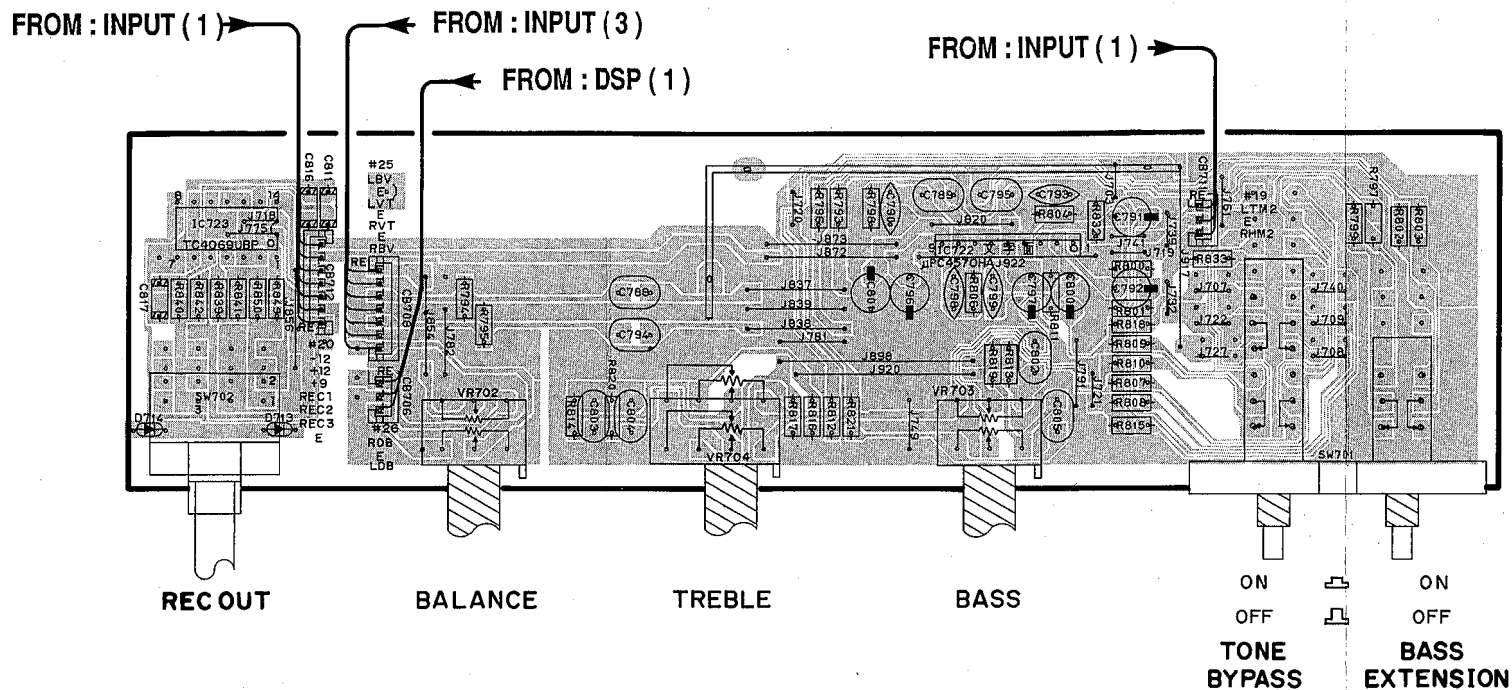


● Semiconductor Location

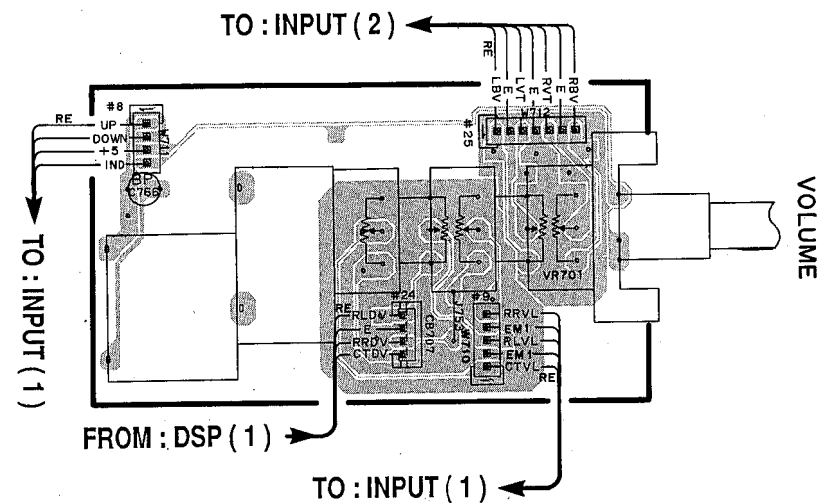
Ref. No.	Location	Ref. No.	Location	Ref. No.	Location
D 701	C3	IC702	D3	IC714	E4
D 702	C3	IC703	D4	IC715	E3
D 703	C3	IC704	C2	IC716	E3
D 704	C3	IC705	B3	IC717	F3
D 705	C3	IC706	C2	IC718	E3
D 706	C3	IC707	C3	IC719	F3
D 708	G4	IC708	B3	IC720	G3
D 709	F3	IC709	D2	IC721	F2
D 710	G2	IC710	D2	Q 701	B2
D 711	G2	IC711	C3	Q 702	F3
D 712	F4	IC712	F4	Q 703	B2
IC701	B4	IC713	E3	Q 704	F4

PRINTED CIRCUIT BOARD (Foil side)

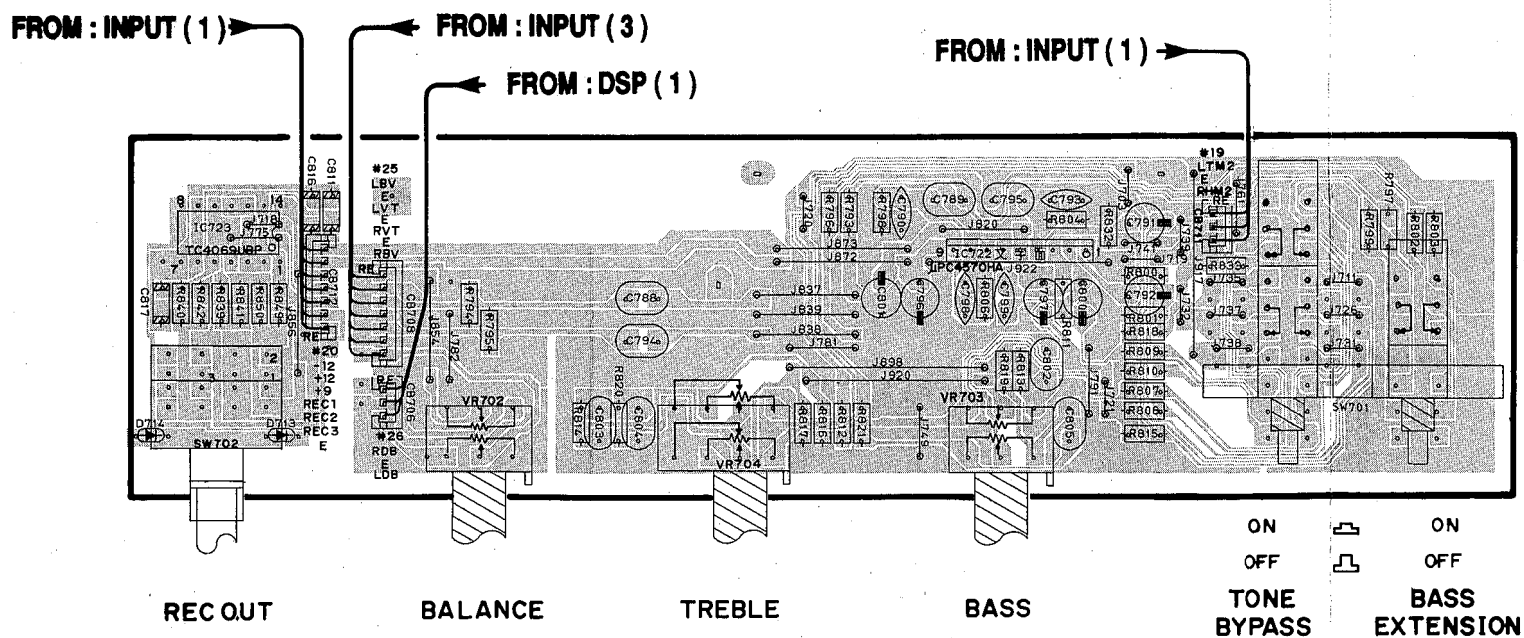
RX-V1070 INPUT P. C. B. (2)



RX-V1070/V870 INPUT P. C. B. (3)

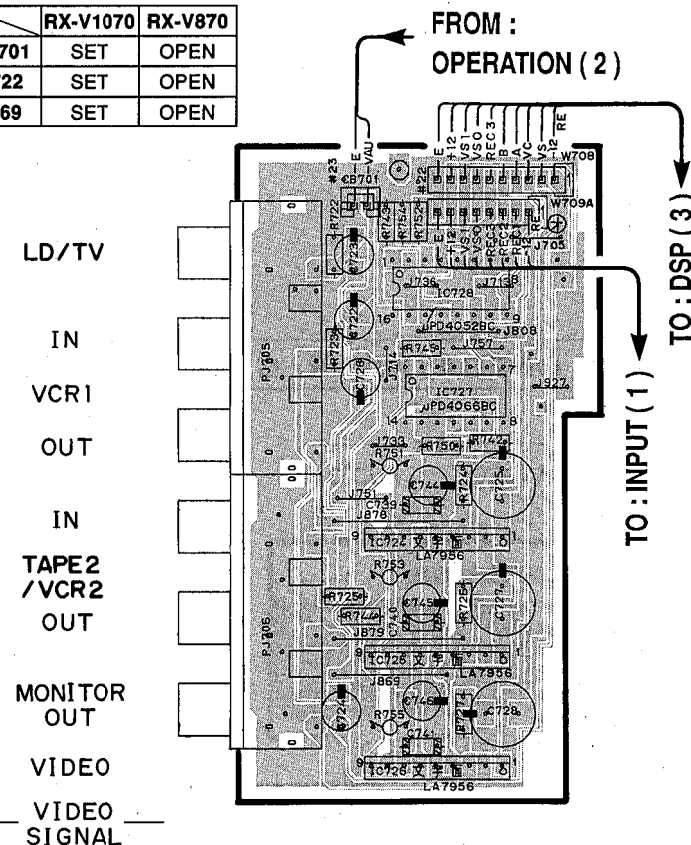


RX-V870 INPUT P. C. B. (2)



RX-V1070/V870 INPUT P. C. B. (4)

	RX-V1070	RX-V870
CB701	SET	OPEN
C722	SET	OPEN
J869	SET	OPEN

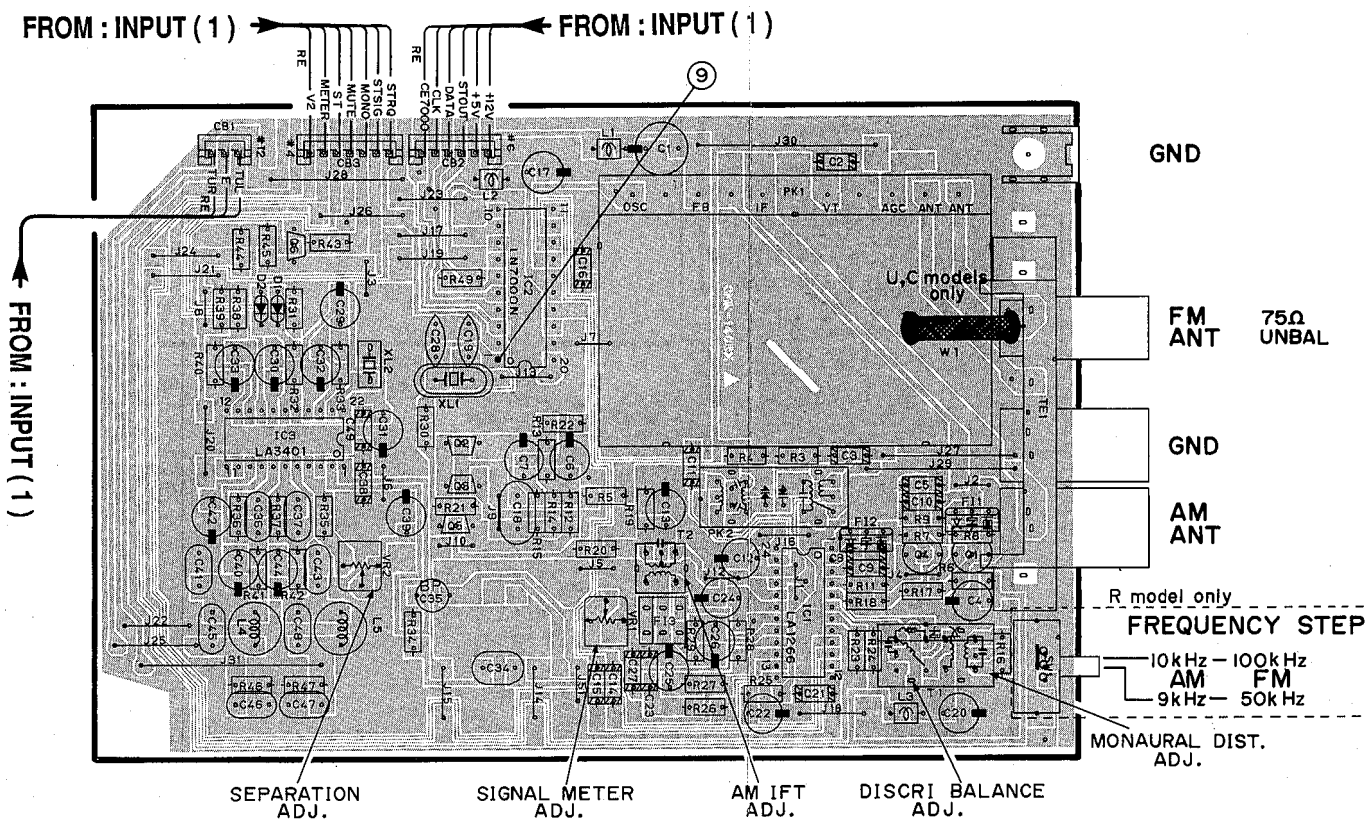
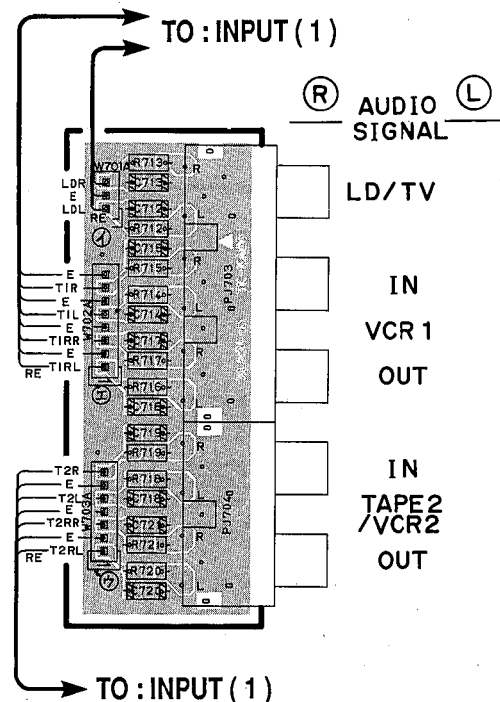


PRINTED CIRCUIT BOARD (Foil side)

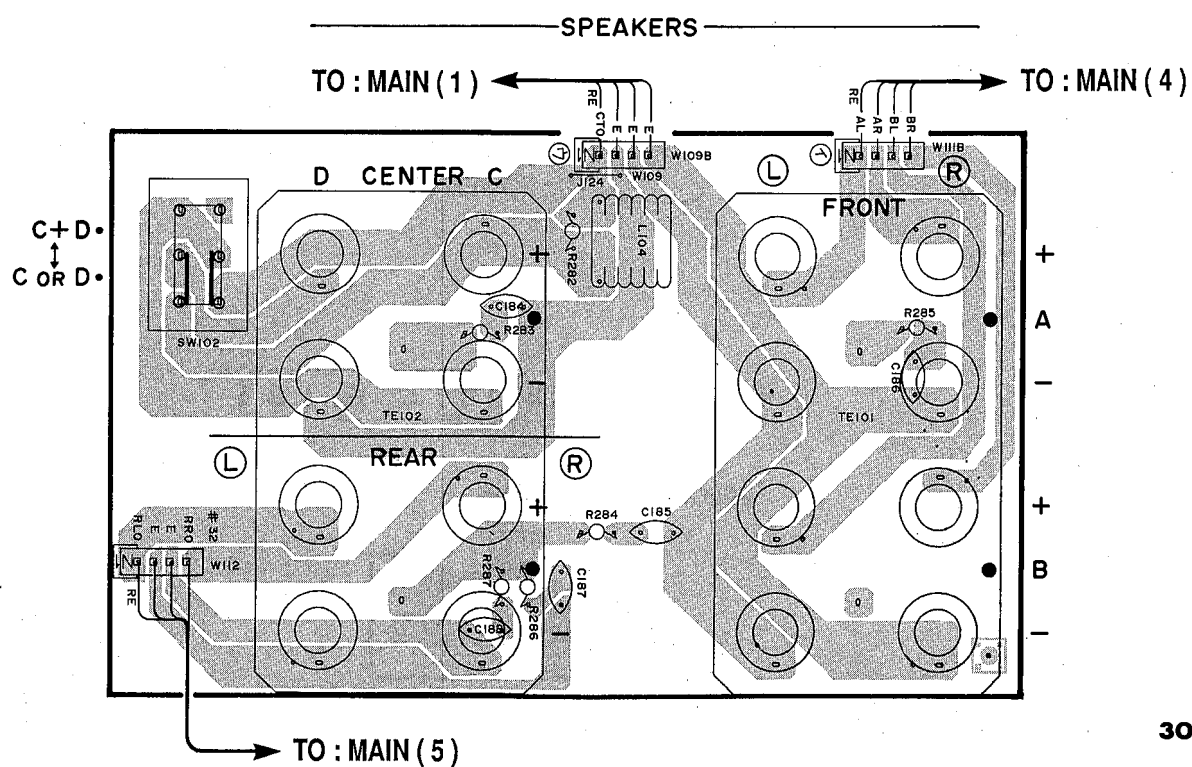
⑨ : WAVEFORM OF TEST POINT (See page 43)

RX-V1070/V870 TUNER P. C. B.

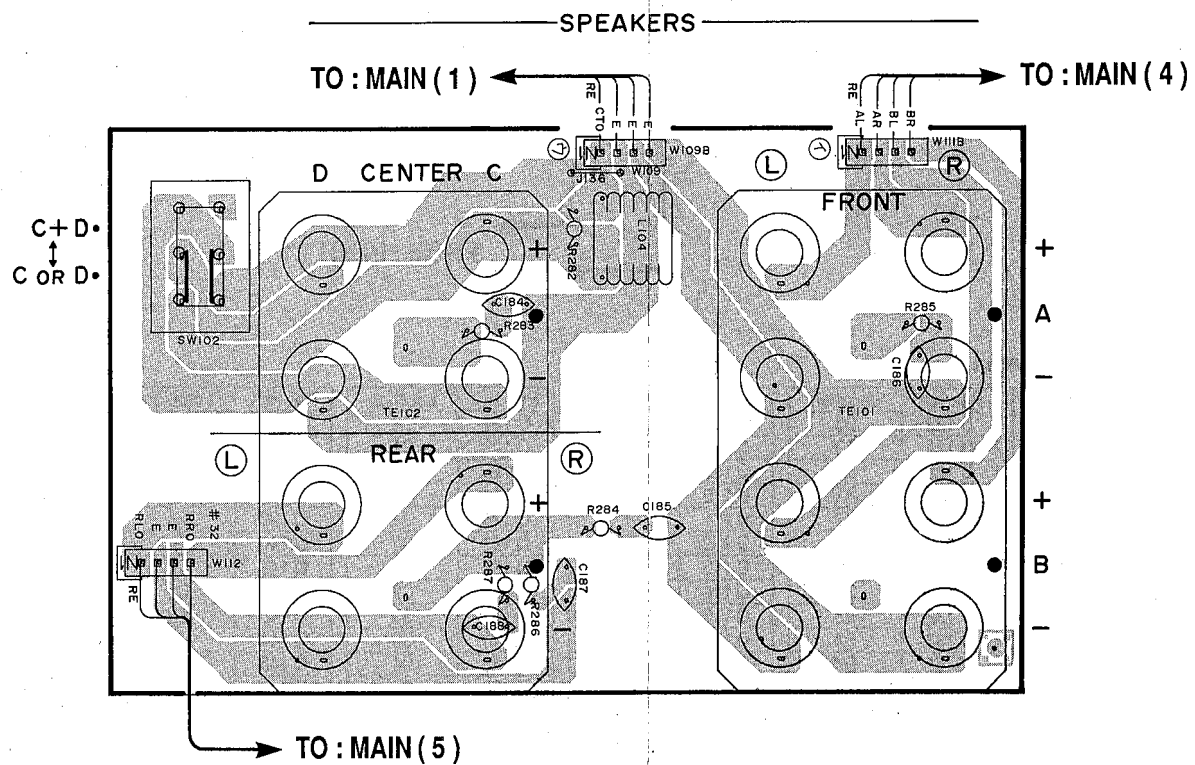
RX-V1070/V870 INPUT P. C. B. (5)



RX-V1070 MAIN P. C. B. (2)



RX-V870 MAIN P. C. B. (2)

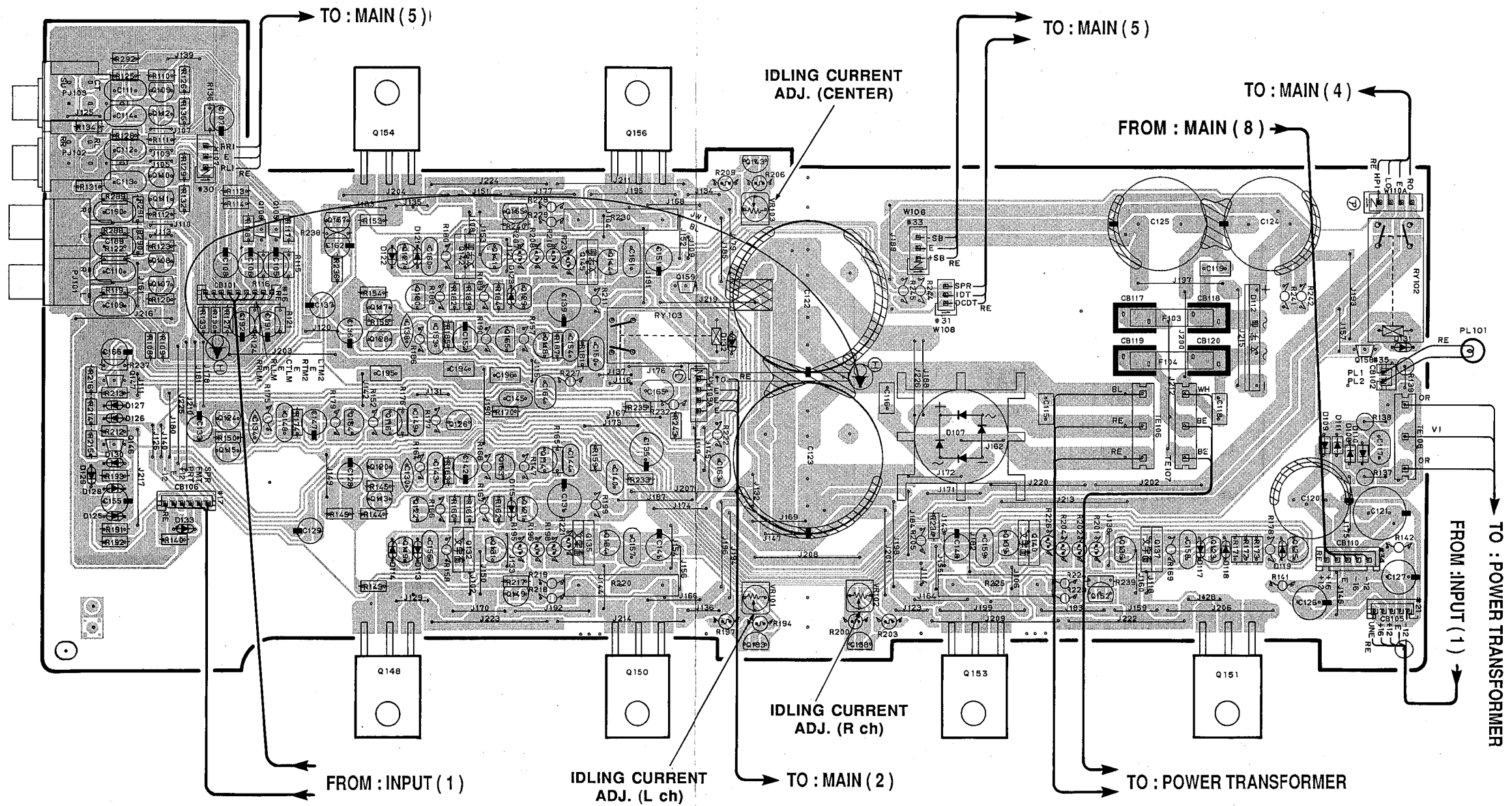


RX-V1070/V870

■ PRINTED CIRCUIT BOARD (Foil side)

RX-V1070 MAIN P. C. B. (1)

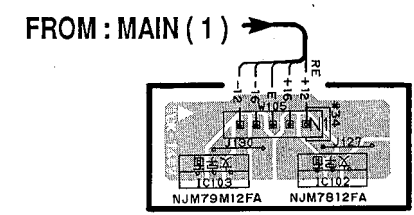
CENTER OUT
LOW PASS
to: 200Hz
COUPLER
OUT REAR
IN FRONT



● Semiconductor Location

Ref. No.	Location	Ref. No.	Location	Ref. No.	Location	Ref. No.	Location	Ref. No.	Location	Ref. No.	Location
D 107	E3	D 123	D3	Q 107	B2	Q 121	D3	Q 135	D4	Q 149	D4
D 108	G3	D 125	B3	Q 108	B2	Q 122	C3	Q 136	F4	Q 150	D4
D 109	G3	D 126	B3	Q 109	B2	Q 123	F4	Q 137	F4	Q 151	G4
D 110	G3	D 127	B3	Q 110	B2	Q 124	B3	Q 138	E4	Q 152	F4
D 111	G3	D 128	B3	Q 111	B2	Q 125	G4	Q 139	F4	Q 153	F4
D 112	G3	D 129	B3	Q 112	B2	Q 126	C3	Q 140	F4	Q 154	C2
D 113	C4	D 130	B3	Q 113	C3	Q 127	C2	Q 141	D2	Q 155	D2
D 114	C4	D 131	G3	Q 114	D3	Q 128	C3	Q 142	C2	Q 156	D2
D 115	D3	D 132	E3	Q 115	B3	Q 129	D3	Q 143	E2	Q 157	C2
D 117	F4	D 133	B3	Q 116	C3	Q 130	C3	Q 144	D2	Q 158	G3
D 118	G4	IC102	G6	Q 117	C3	Q 131	D4	Q 145	D2	Q 159	D2
D 119	G4	IC103	F6	Q 118	D3	Q 132	C4	Q 146	B3	Q 163	D3
D 121	C2	Q 105	C2	Q 119	C4	Q 133	E4	Q 147	B3	Q 164	C3
D 122	C2	Q 106	C2	Q 120	C3	Q 134	D4	Q 148	C4	Q 165	D3

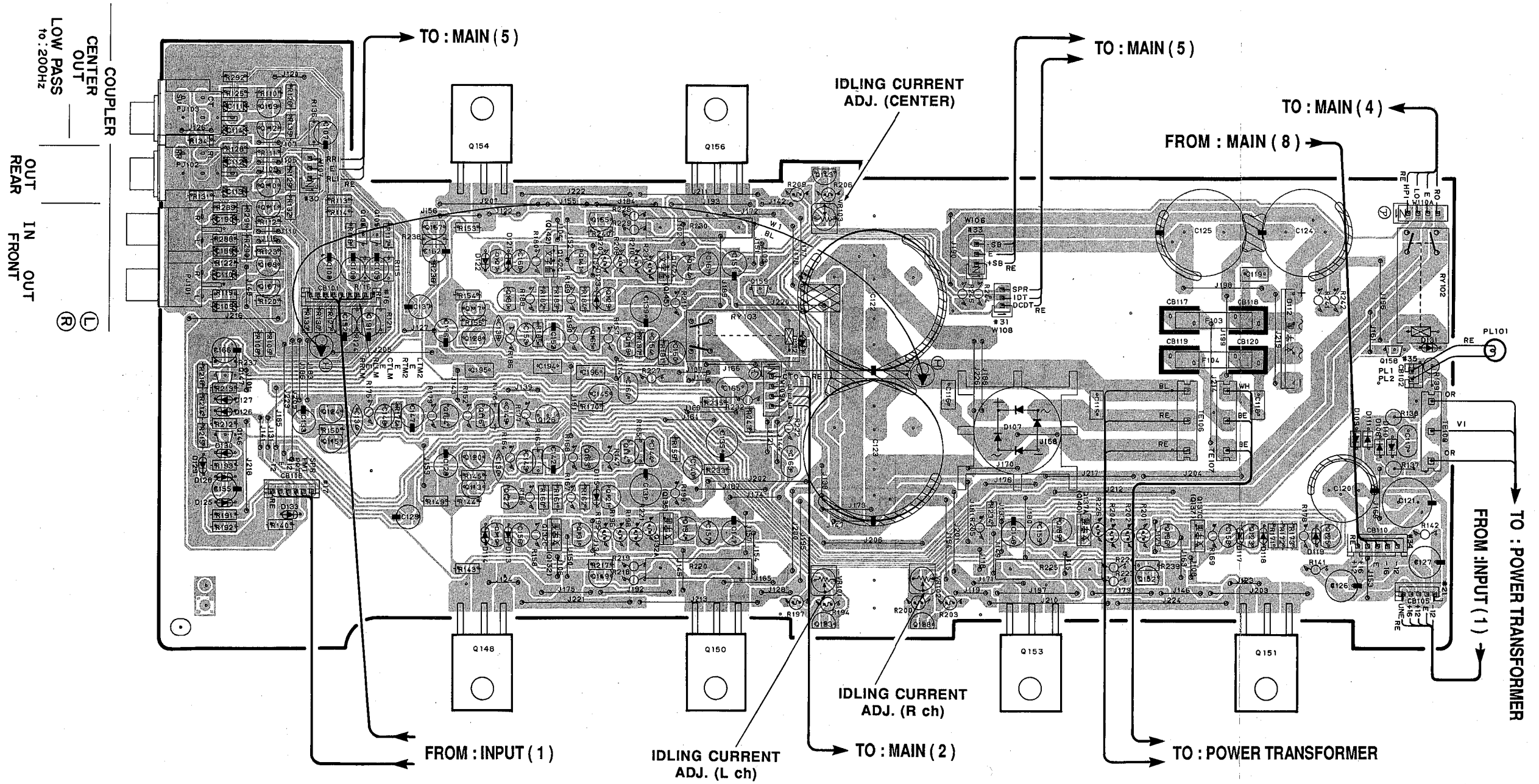
RX-V1070 MAIN P. C. B. (8)



1
2
3
4
5
6

PRINTED CIRCUIT BOARD (Foil side)

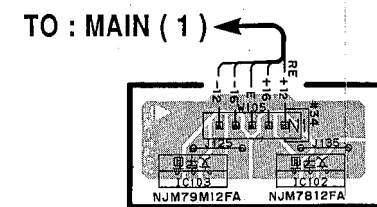
RX-V870 MAIN P. C. B. (1)



Semiconductor Location

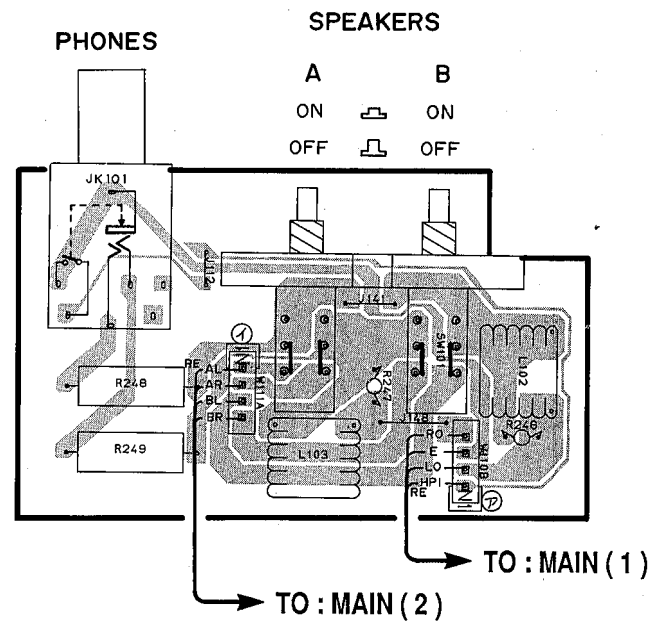
Ref. No.	Location	Ref. No.	Location	Ref. No.	Location	Ref. No.	Location	Ref. No.	Location	Ref. No.	Location
D 107	E3	D 123	D3	Q 107	B2	Q 121	D3	Q 136	F4	Q 150	D4
D 108	G3	D 125	B3	Q 108	B2	Q 122	C3	Q 137A	F4	Q 151	F4
D 109	G3	D 126	B3	Q 109	B2	Q 123	F4	Q 137C	E4	Q 152	F4
D 110	G3	D 127	B3	Q 110	B2	Q 124	B3	Q 138	E4	Q 153	E4
D 111	G3	D 128	B3	Q 111	B2	Q 125	G4	Q 139	F4	Q 154	C2
D 112	G3	D 129	B3	Q 112	B2	Q 126	C3	Q 141	C2	Q 155	D2
D 113	C4	D 130	B3	Q 113	C3	Q 127	C2	Q 142A	D2	Q 156	D2
D 114	C4	D 131	G3	Q 114	D3	Q 128	C3	Q 142C	C2	Q 157	C2
D 115	D3	D 132	D3	Q 115	B3	Q 129	D3	Q 143	E2	Q 158	G3
D 117	E4	D 133	B3	Q 116	C3	Q 130	C3	Q 144	D2	Q 159	D2
D 118	E4	IC102	F6	Q 117	C3	Q 131	C4	Q 146	B3	Q 163	C3
D 119	G4	IC103	F6	Q 118	D3	Q 132A	D4	Q 147	B3	Q 164	C3
D 121	C2	Q 105	C2	Q 119	C4	Q 132C	C4	Q 148	C4	Q 165	D3
D 122	C2	Q 106	C2	Q 120	C3	Q 133	E4	Q 149	D4		

RX-V870 MAIN P. C. B. (8)

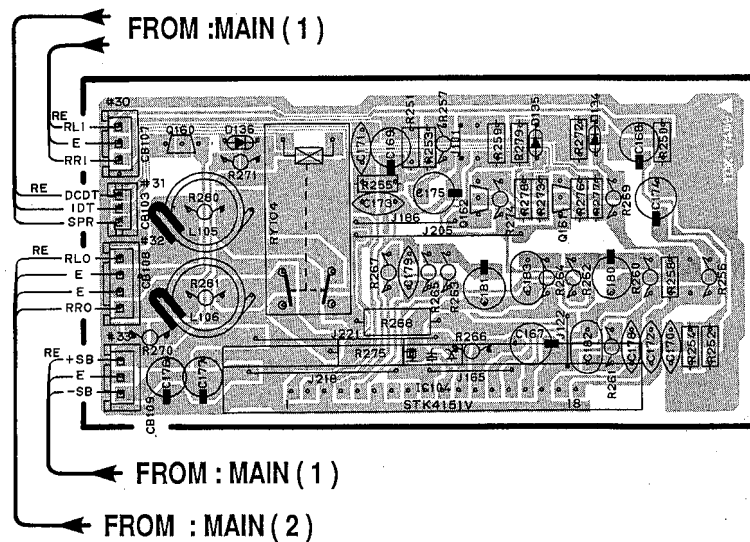


PRINTED CIRCUIT BOARD (Foil side)

RX-V1070 MAIN P. C. B. (4)

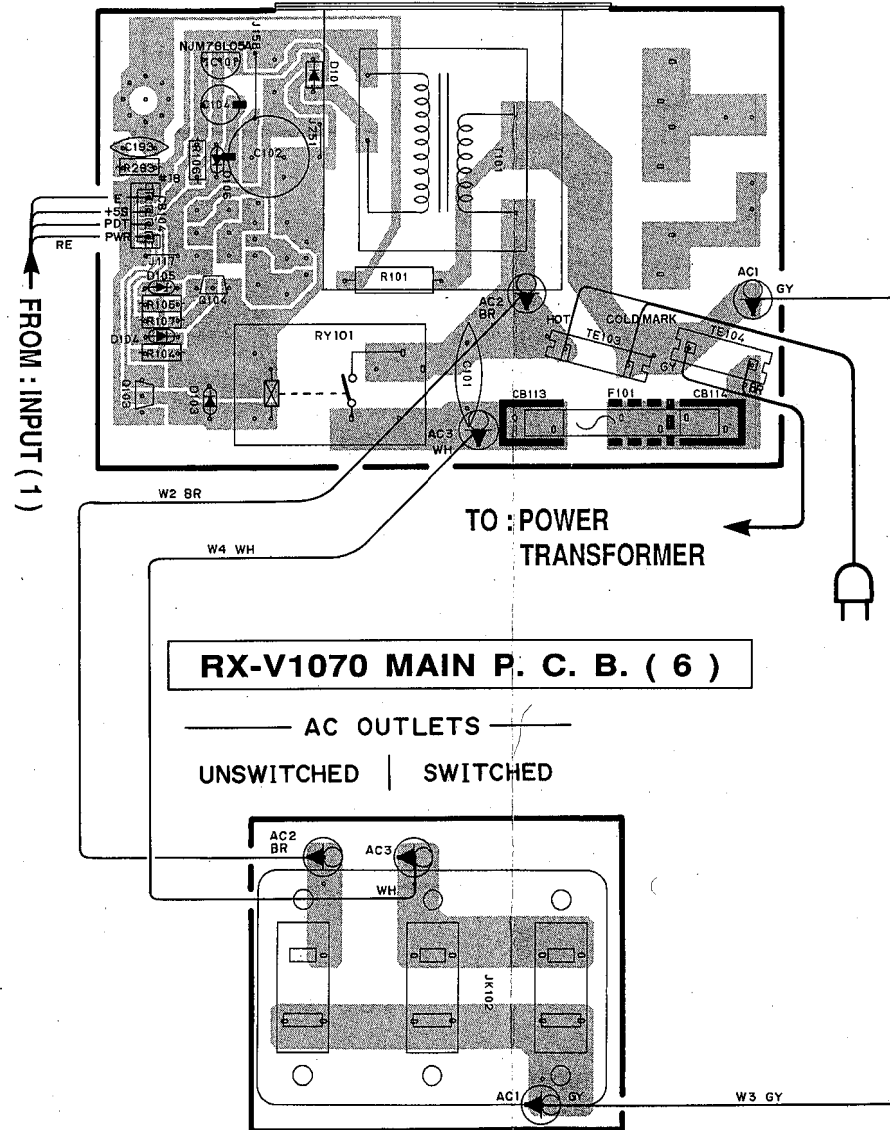


RX-V1070 MAIN P. C. B. (5)



● U, C models

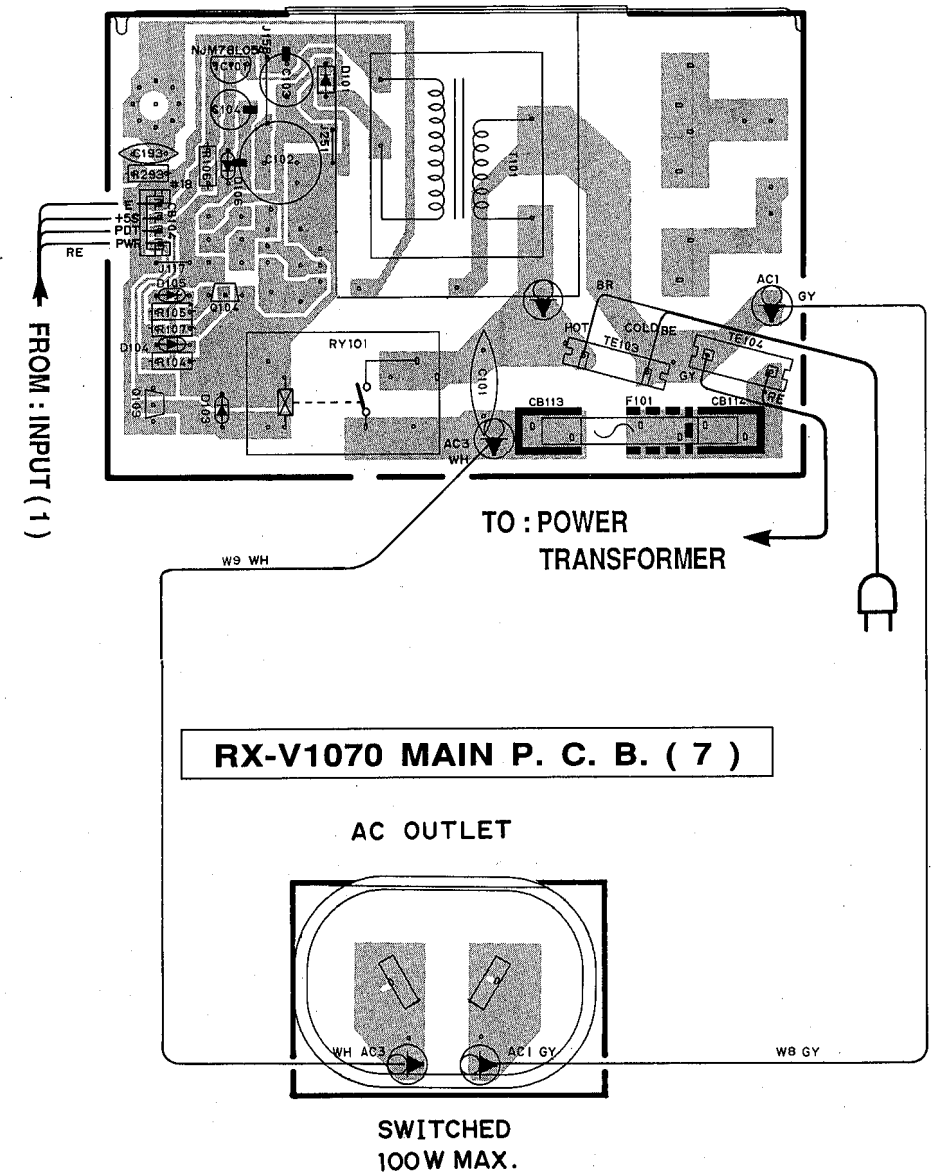
RX-V1070 MAIN P. C. B. (3)



200W MAX.	100W MAX. TOTALU model
180W MAX.	120W MAX. TOTALC model
1.5A MAX.	1.0A MAX. TOTAL	
120V 60Hz	120V 60Hz	

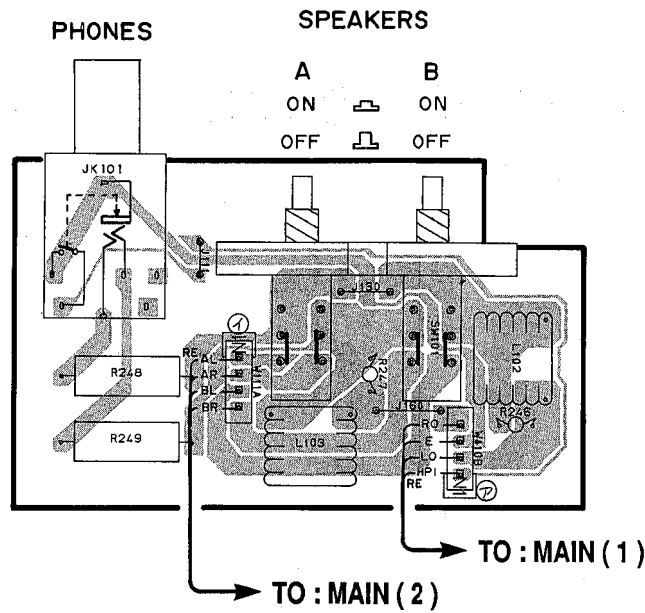
● A model

RX-V1070 MAIN P. C. B. (3)

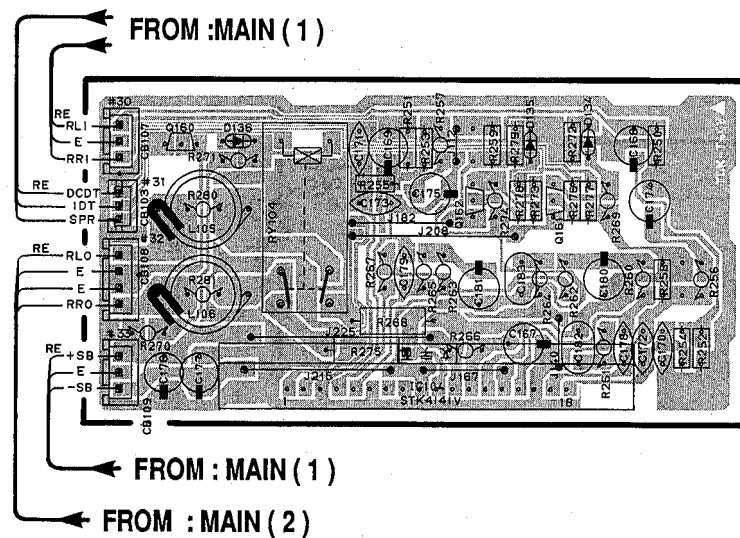


PRINTED CIRCUIT BOARD (Foil side)

RX-V870 MAIN P. C. B. (4)

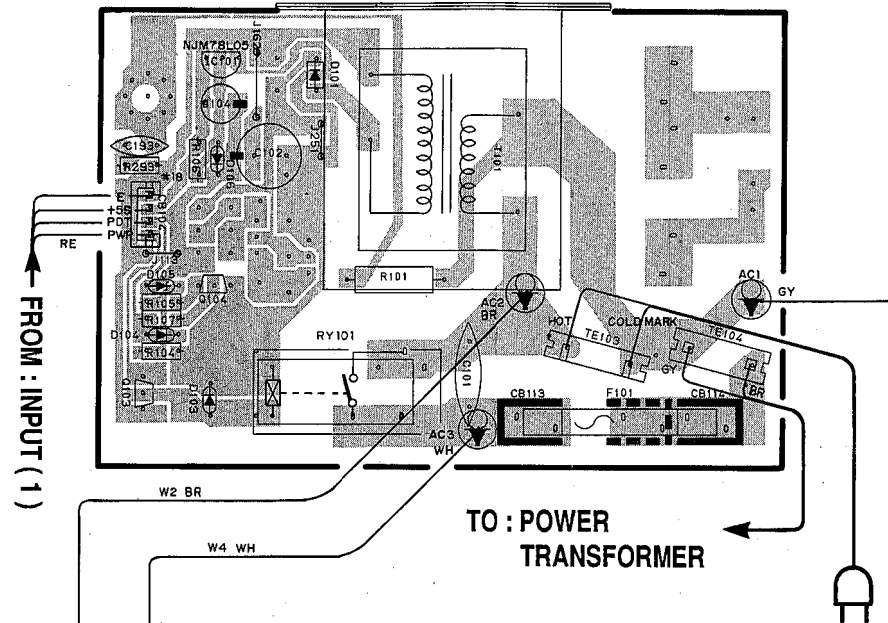


RX-V870 MAIN P. C. B. (5)



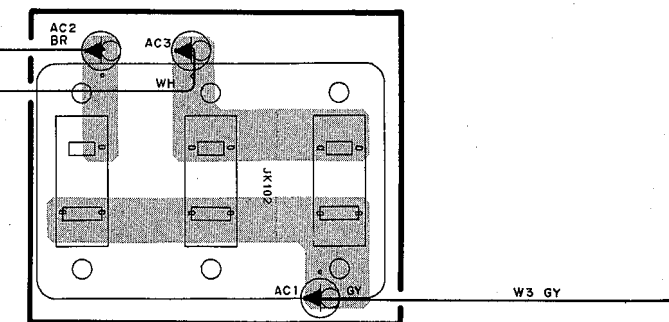
U, C models

RX-V870 MAIN P. C. B. (3)



RX-V870 MAIN P. C. B. (6)

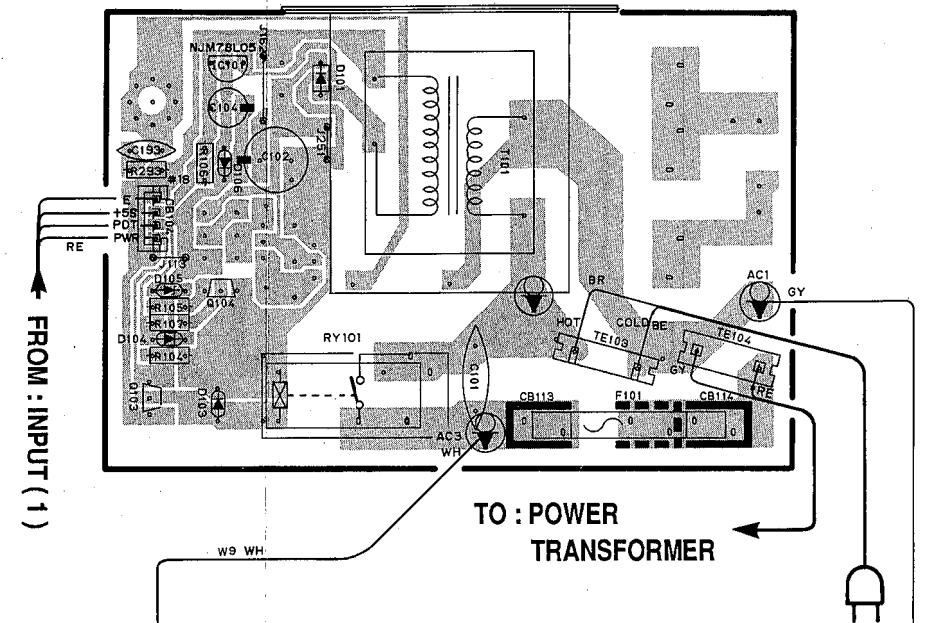
AC OUTLETS
UNSWITCHED | SWITCHED



200W MAX.	100W MAX. TOTALU model
180W MAX.	120W MAX. TOTAL].....C model
1.5A MAX.	1.0A MAX. TOTAL]
120V 60Hz	120V 60Hz

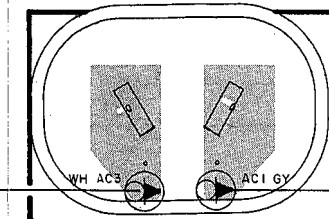
A models

RX-V870 MAIN P. C. B. (3)



RX-V870 MAIN P. C. B. (7)

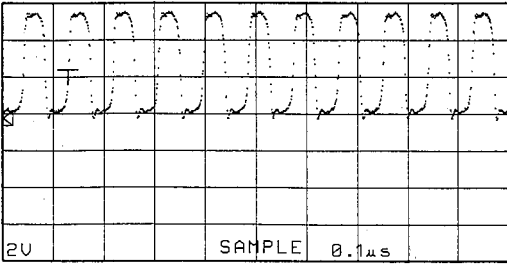
AC OUTLET



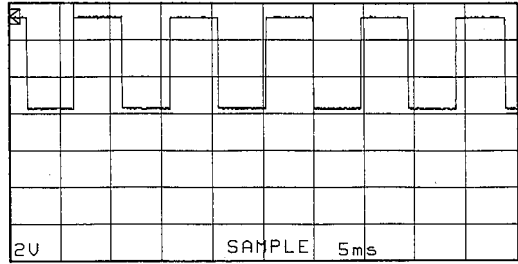
SWITCHED
100W MAX.

WAVEFORM OF TEST POINT

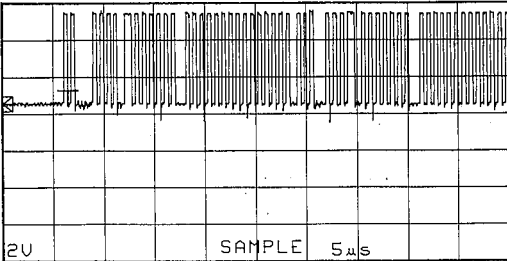
Point ① (Pin51 of IC503)
 V : 2V/div H : 0.1 μ sec/div
 DC range 1 : 1 prove



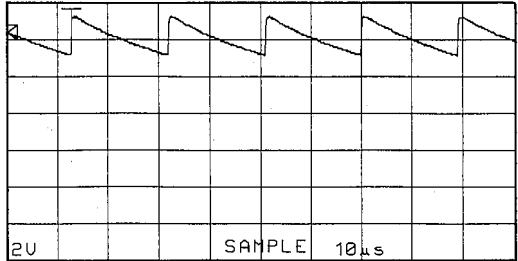
Point ⑤ (Pin50 of IC519)
 V : 2V/div H : 5msec/div
 DC range 1 : 1 prove



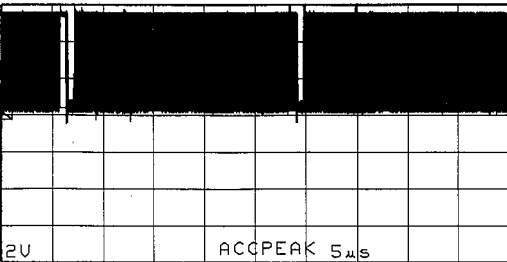
Point ② (Pin15 of IC501)
 V : 2V/div H : 5 μ sec/div
 DC range 1 : 1 prove



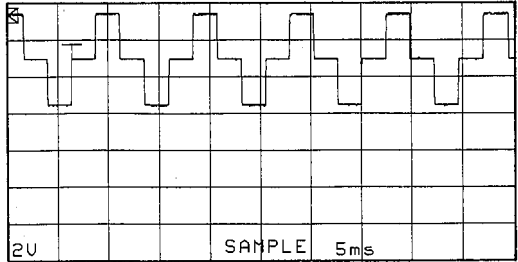
Point ⑥ (Pin55 of IC519)
 V : 2V/div H : 10 μ sec/div
 DC range 1 : 1 prove



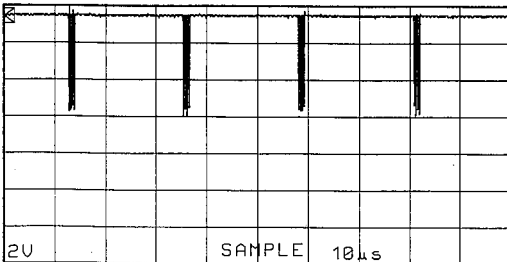
Point ③ (Pin23 to 26 of IC501)
 V : 2V/div H : 5 μ sec/div
 DC range 1 : 1 prove



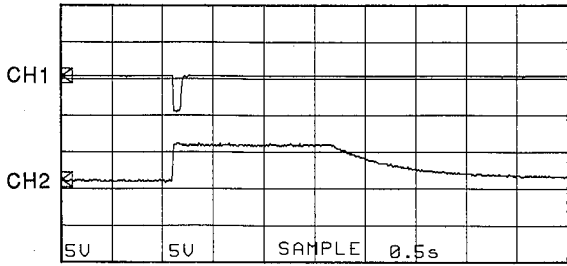
Point ⑦ (Pin64 of IC519)
 V : 2V/div H : 5msec/div
 DC range 1 : 1 prove



Point ④ (Pin27 of IC501)
 V : 2V/div H : 10 μ sec/div
 DC range 1 : 1 prove



Point ⑧ (CH1 : Pin8 of IC720)
 (CH2 : Anode of D710)
V : 5V/div H : 0.5sec/div
DC range 1 : 1 prove

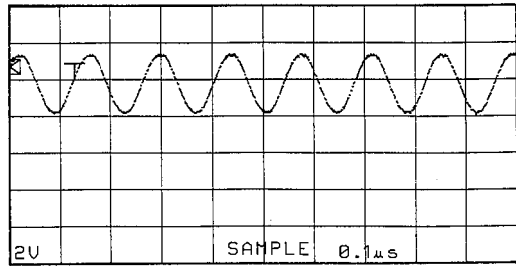


↑
With the POWER switch turned ON, connect the power cord to the AC outlet.

↑
Disconnect the power cord from the AC outlet.

(This waveform is not available by pushing the power switch ON and OFF.)

Point ⑨ (Pin1 of IC2)
V : 2V/div H : 0.1μsec/div
DC range 1 : 1 prove



RX-V1070/V870 SCHEMATIC DIAGRAM (TUNER & OPERATION)

Each voltage given here represents that in the FM (98.1MHz, STEREO) reception mode but the one in the parentheses () is that in the AM (1080kHz) reception mode.

⑨ : WAVEFORM OF TEST POINT (See page 43)

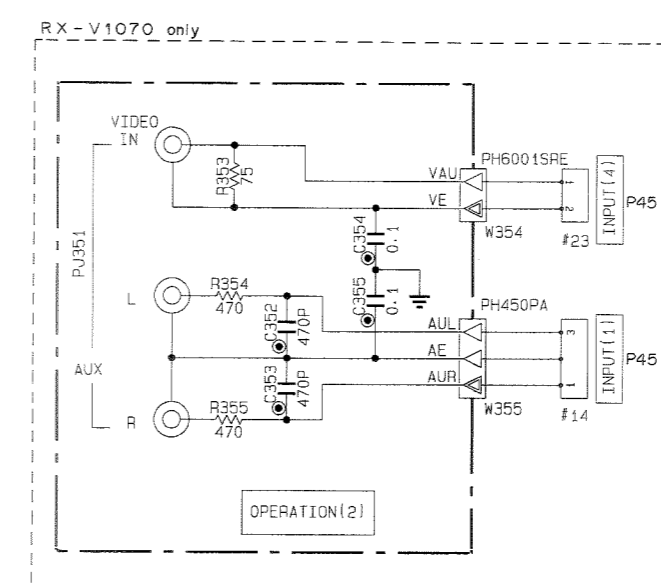
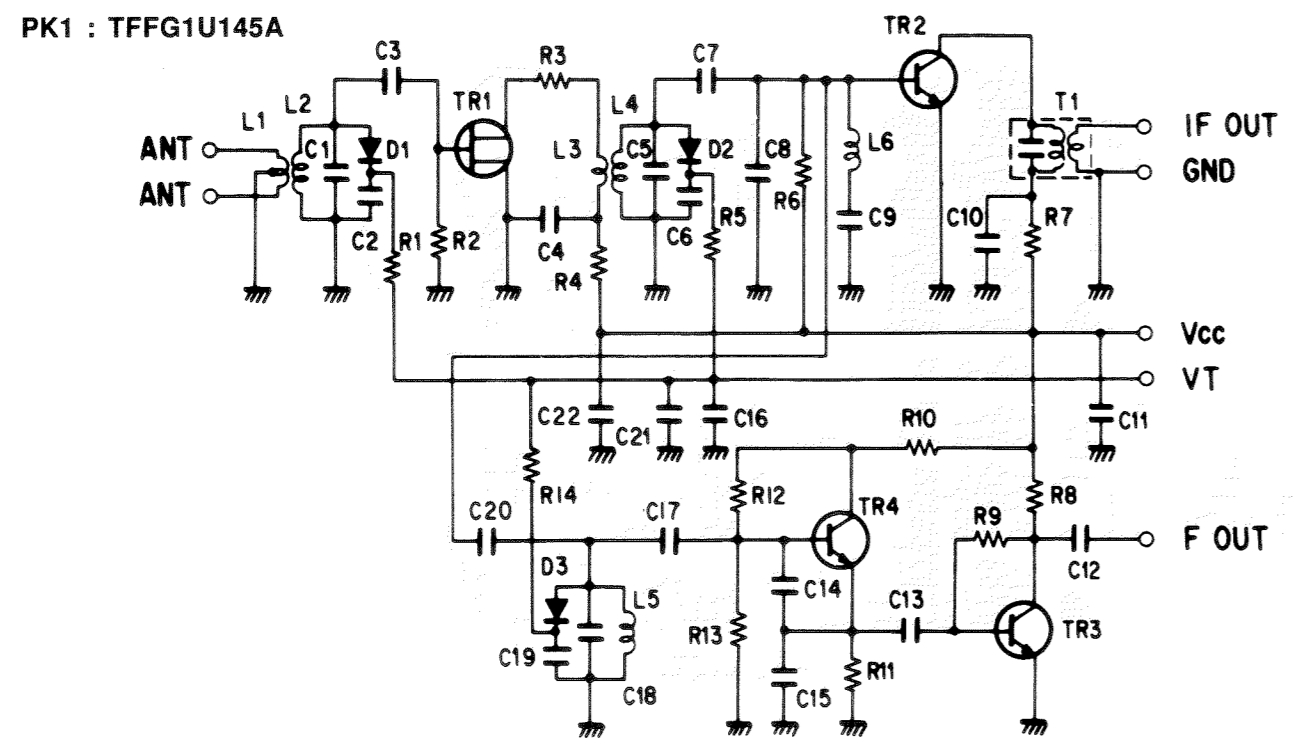
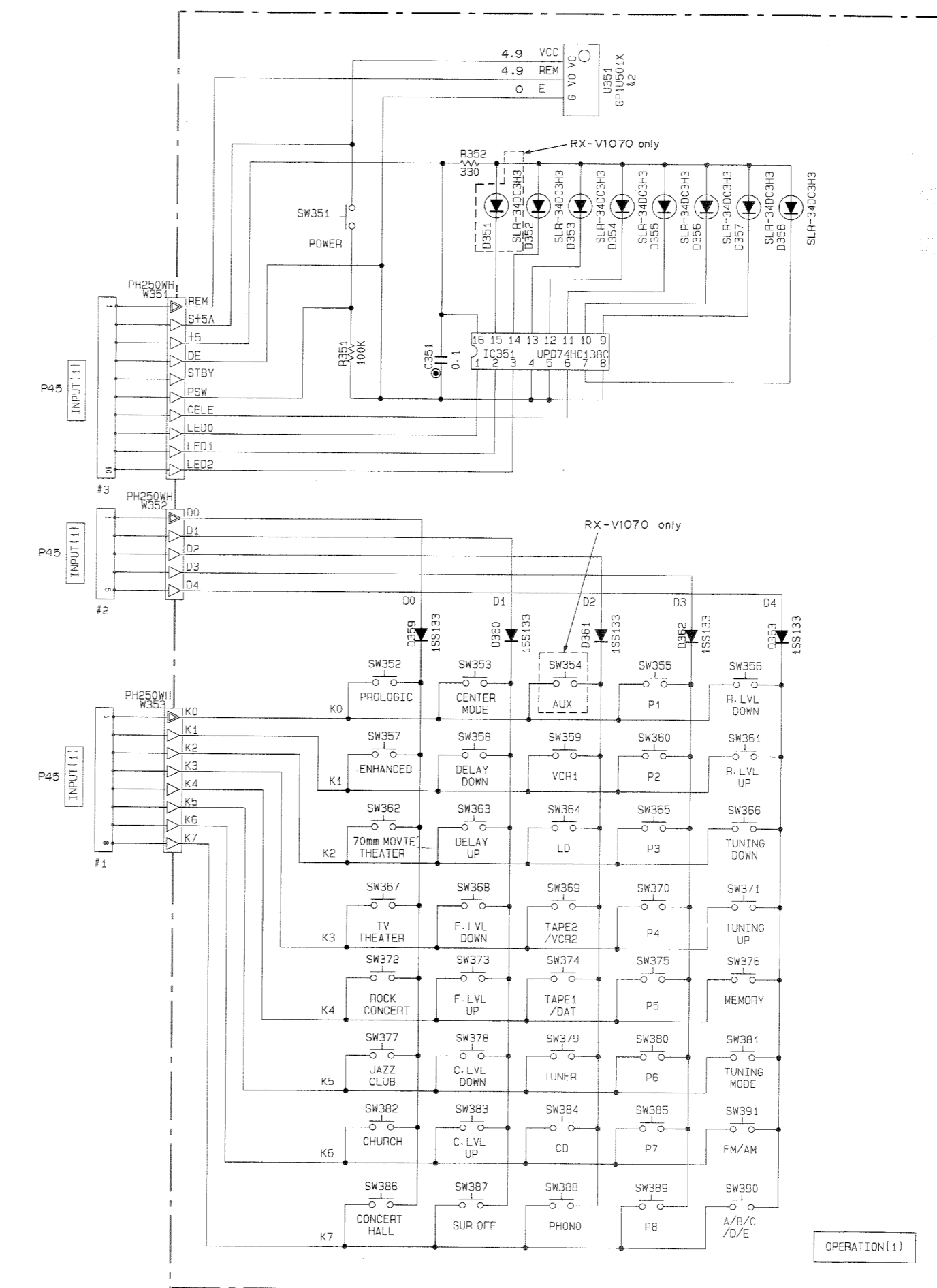
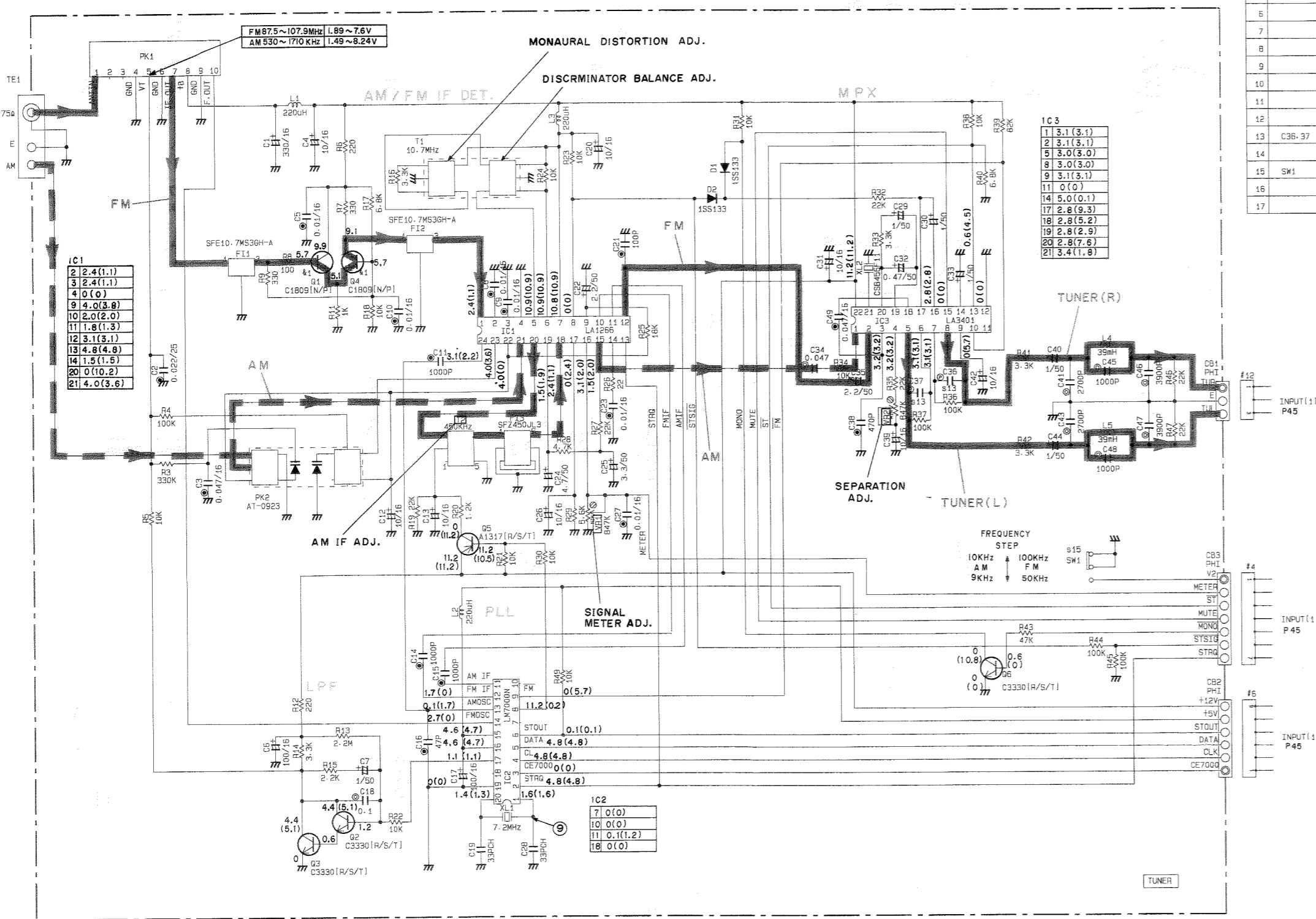
RESISTOR and CAPACITOR parts list with remarks and part names.

NOTICE: (J) Japanese model, (U) U.S.A. model, (C) Canadian model, (A) Australian model, (E) European model, (B) British model, (R) General model, (P) PP model.

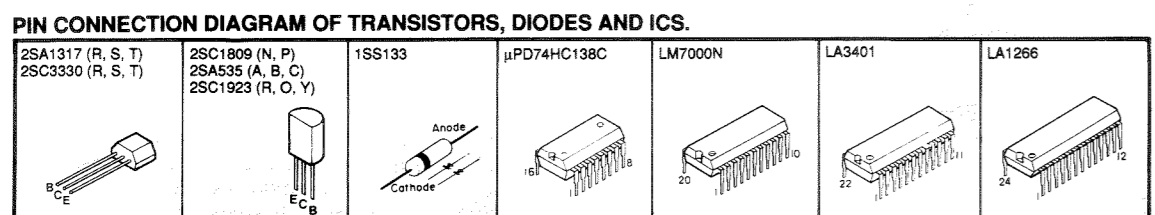
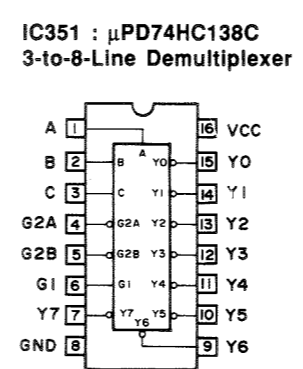
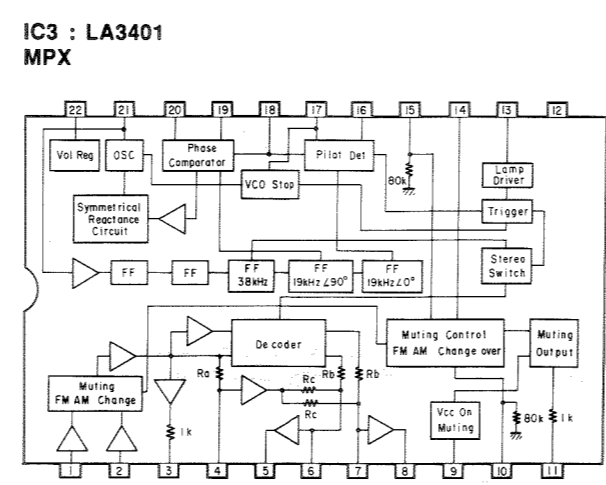
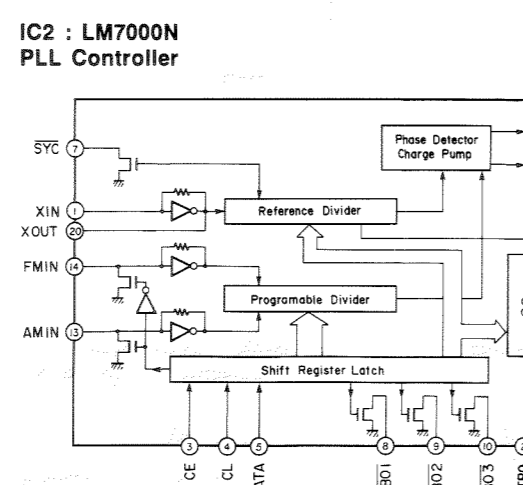
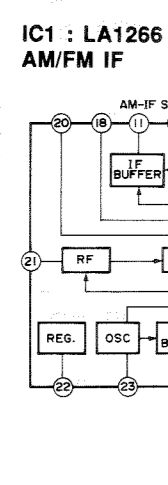
Table with columns U, C, R, A and rows 1-17.

Interchangeable Parts at Manufacture-Stage table with Mark, Reference Parts Number, and Parts Name.

Table with columns KIND, START, LAST, UNLISTED NO.



Interchangeable Parts at Manufacture-Stage table for IC351.

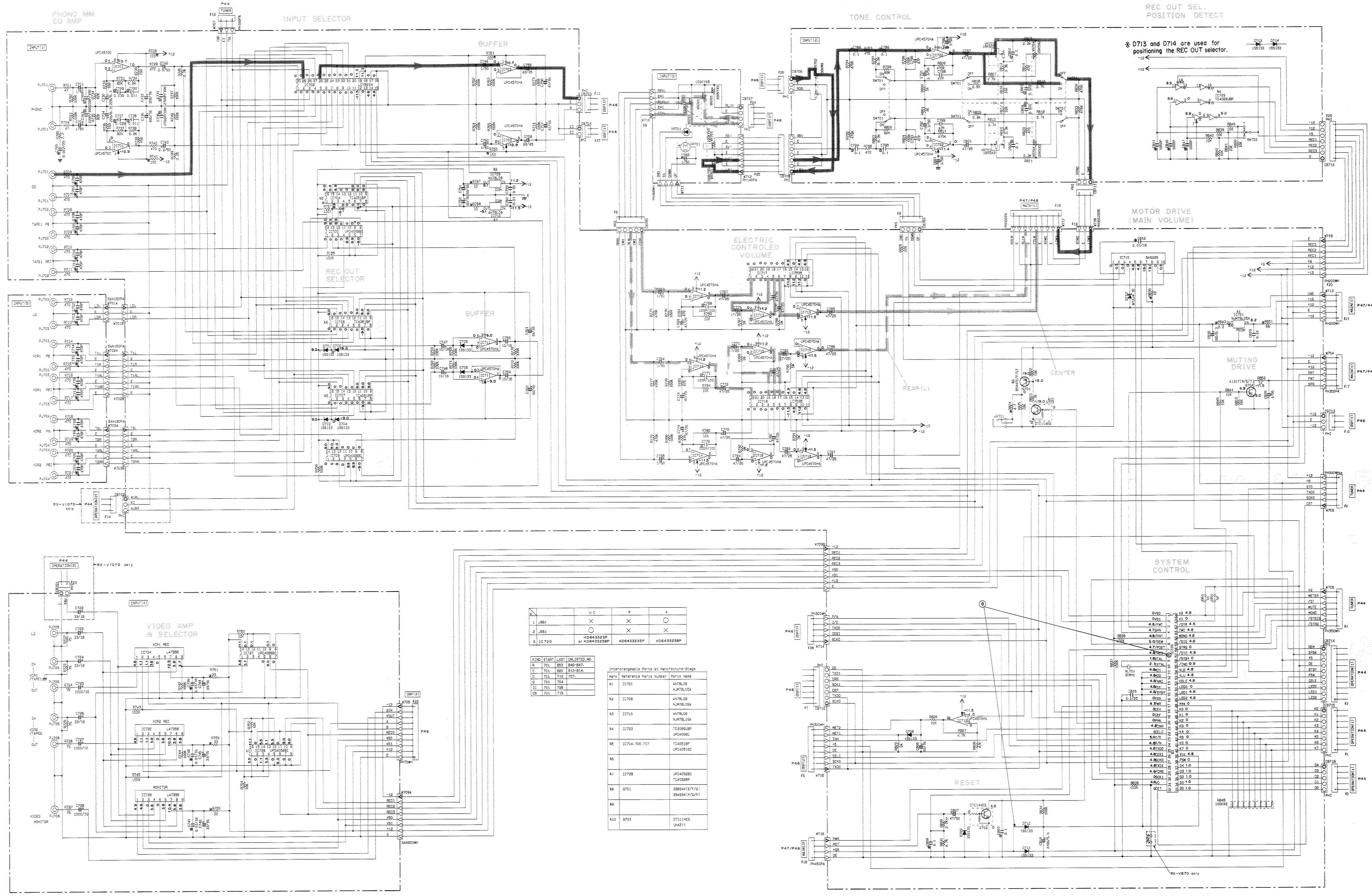


All voltage are measured with a 10MΩ/V DC electric volt meter. Components having special characteristics are marked Δ and must be replaced with parts having specifications equal to those originally installed. Schematic diagram is subject to change without notice.

RX-V1070/V870 SCHEMATIC DIAGRAM (INPUT)

Each voltage given here represents that obtained when setting is at CD Input and PHONO LOGIC position.

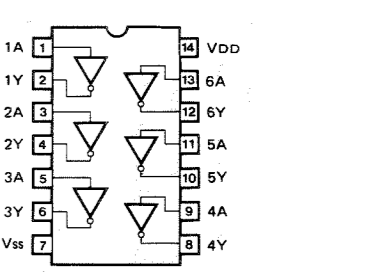
⑧ : WAVEFORM OF TEST POINT (See page 43)



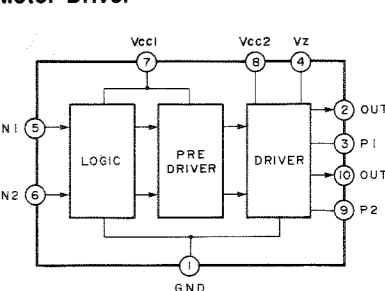
REC OUT (SW702) Code Table Connection with COM (O=ON)

Table with 3 columns (1, 2, 3) and 6 rows (AUX, VCR 1, LD/TV, TAPE 2/VCR 2, TAPE 1, TUNER, CD, PHONO) for RX-V1070 and RX-V870 models.

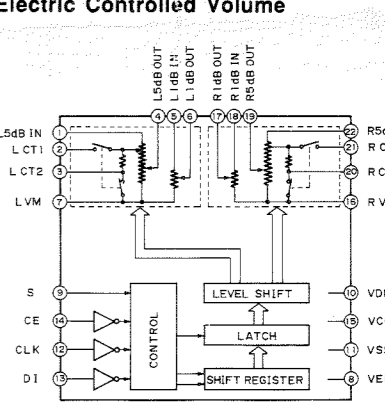
IC723 : TC4069BP or μPD4069C Hex Inverter



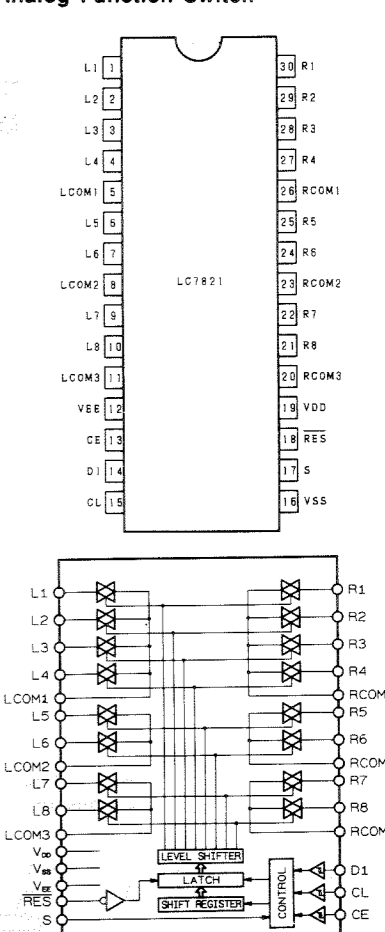
IC719 : BA6229 Motor Driver



IC718, 719 : LC7535 Electric Controlled Volume



IC702 : LC7821N Analog Function Switch



IC724 ~ 726 : LA7956 Video Switch

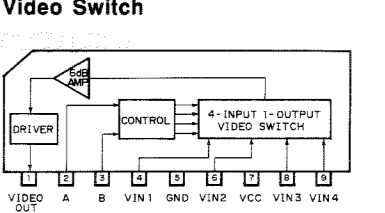
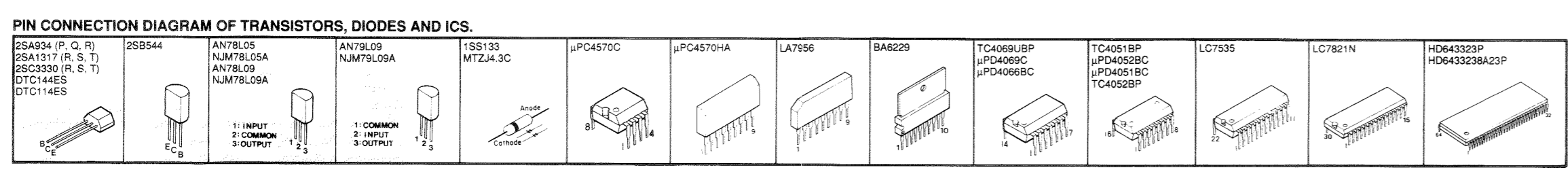


Table with columns U, C, R, A and rows for IC701, IC702, and IC703.

Table with columns IC NO, START, LAST, and PART NO. listing various ICs like IC701, IC702, IC703, IC704, IC705, IC706, IC707, IC708, IC709, IC710, IC711, IC712, IC713, IC714, IC715, IC716, IC717, IC718, IC719, IC720, IC721, IC722, IC723, IC724, IC725, IC726, IC727, IC728, IC729, IC730, IC731, IC732, IC733, IC734, IC735, IC736, IC737, IC738, IC739, IC740, IC741, IC742, IC743, IC744, IC745, IC746, IC747, IC748, IC749, IC750, IC751, IC752, IC753, IC754, IC755, IC756, IC757, IC758, IC759, IC760, IC761, IC762, IC763, IC764, IC765, IC766, IC767, IC768, IC769, IC770, IC771, IC772, IC773, IC774, IC775, IC776, IC777, IC778, IC779, IC780, IC781, IC782, IC783, IC784, IC785, IC786, IC787, IC788, IC789, IC790, IC791, IC792, IC793, IC794, IC795, IC796, IC797, IC798, IC799, IC800.

Table with columns RESISTOR, CAPACITOR, and NOTICE, providing part names and values for various components.



All voltage are measured with a 10MΩ/V DC electric volt meter. Components having special characteristics are marked and must be replaced with parts having specifications equal to those originally installed. Schematic diagram is subject to change without notice.

RX-V1070/V870 SCHEMATIC DIAGRAM (DSP)

① to ⑦ : WAVEFORM OF TEST POINT (See page 42)

Each voltage given here represents that obtained when setting is at CD Input and PRO LOGIC position.

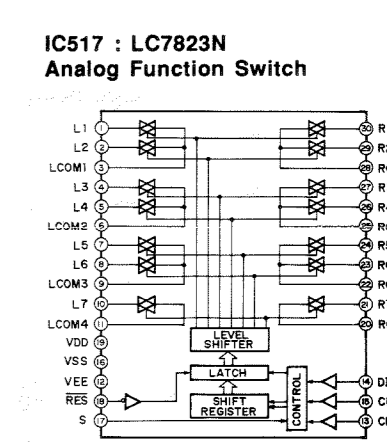
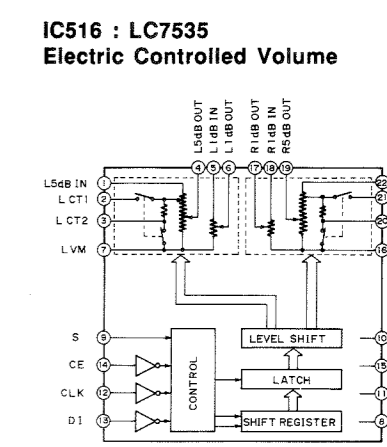
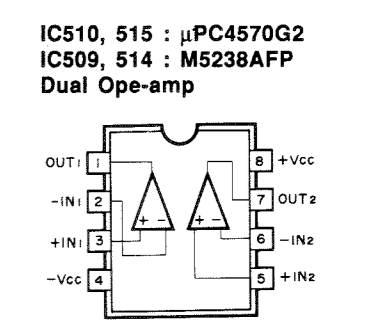
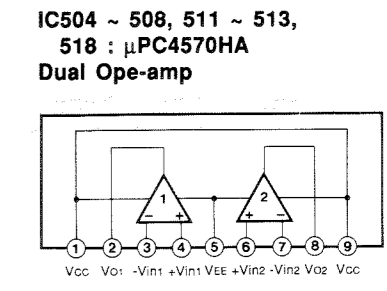
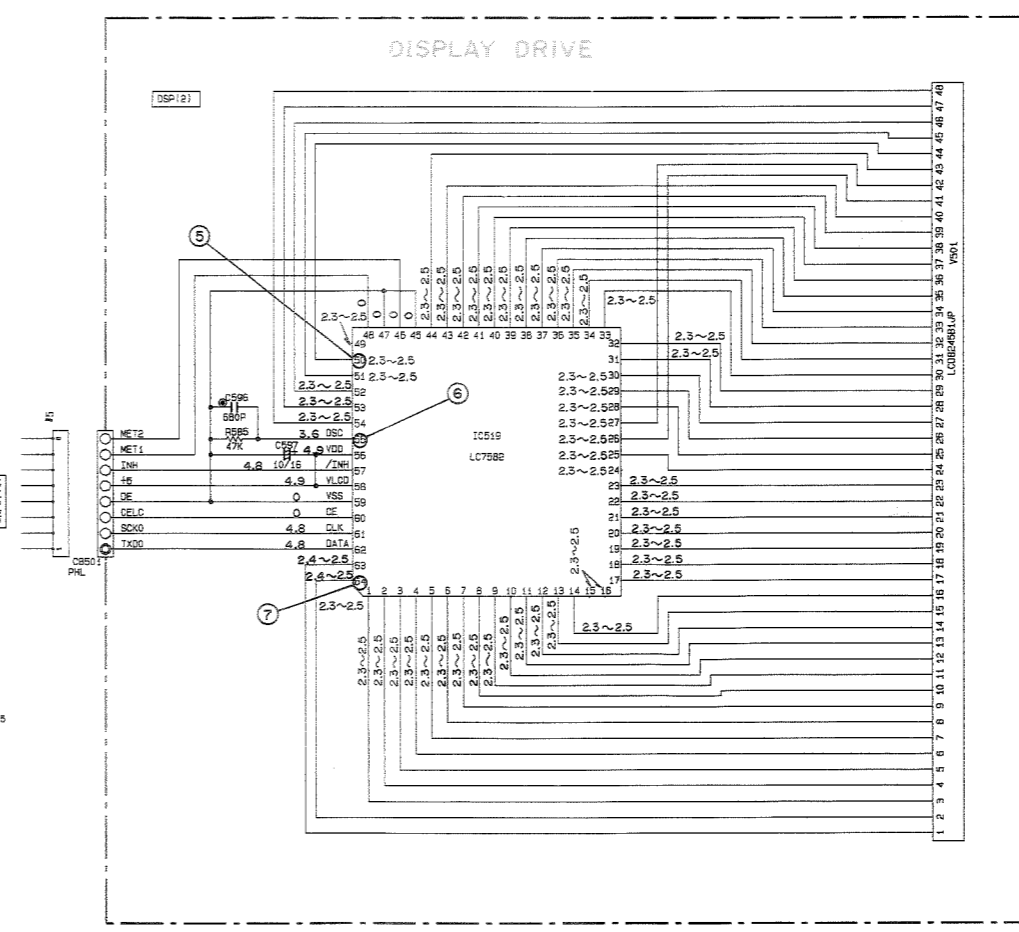
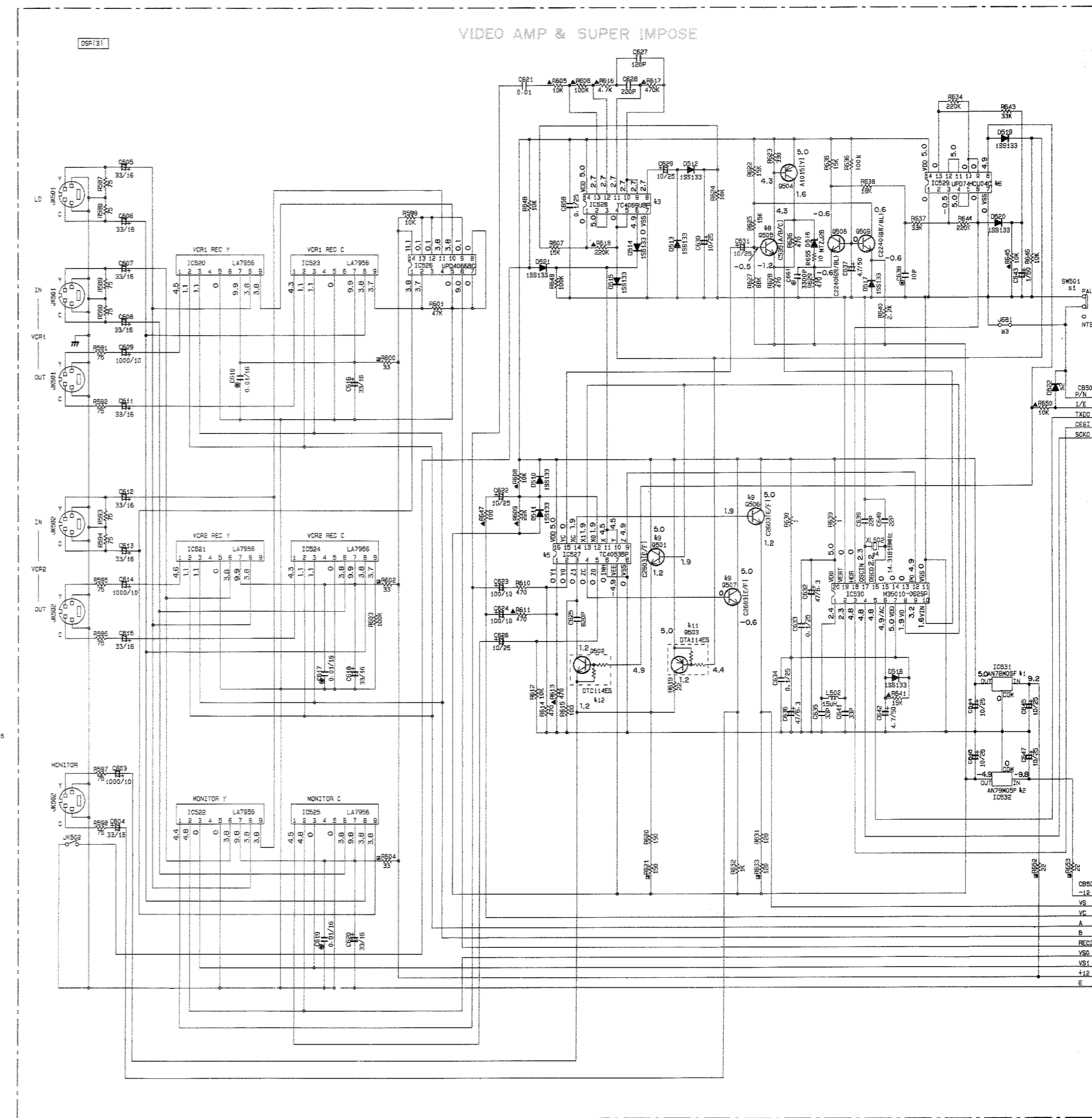
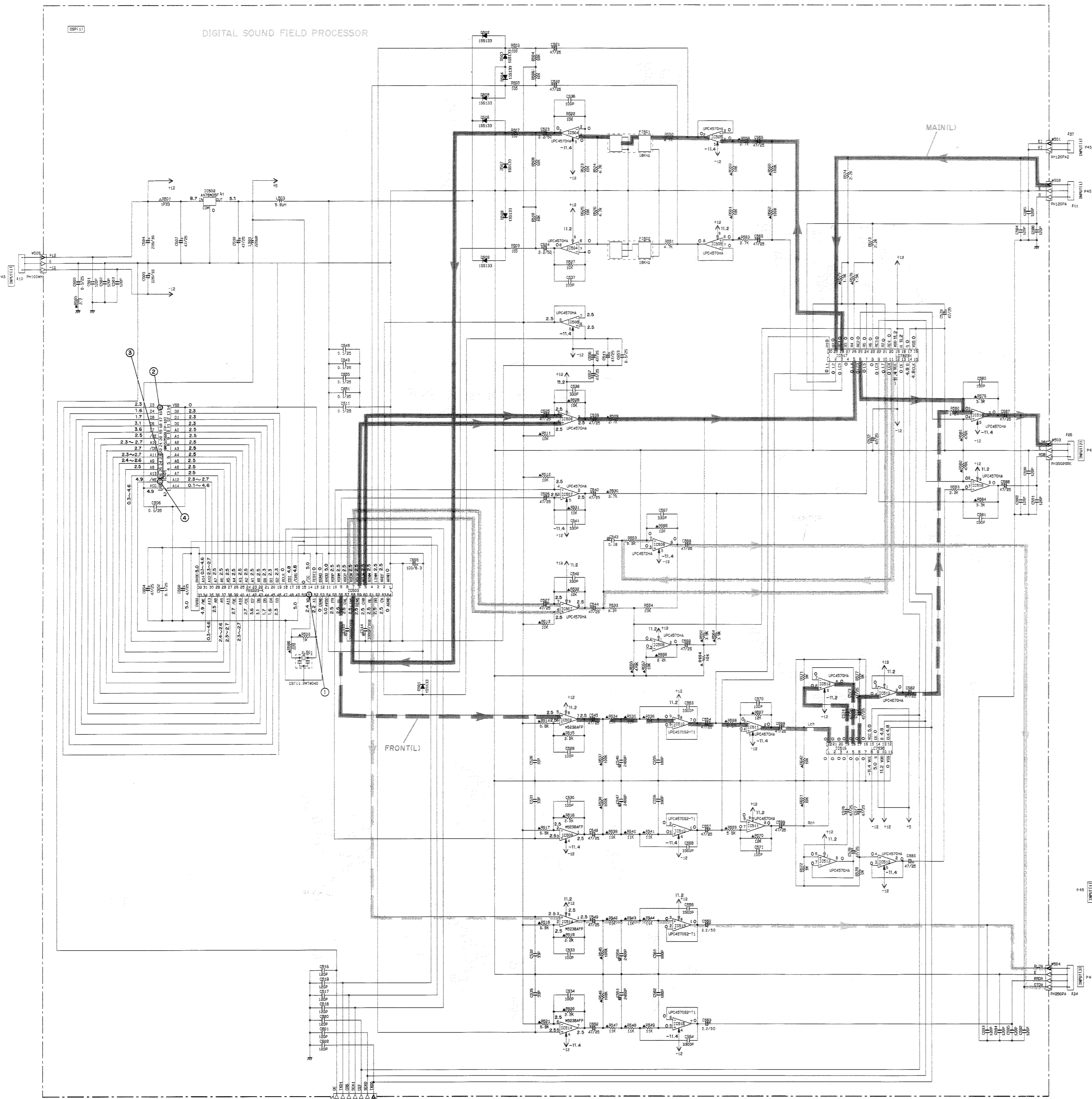


Table with 2 columns: IC No. and Part Name. Lists various ICs used in the circuit.

Table with 4 columns: IC No., Part Name, and other specifications. Lists specific IC models.

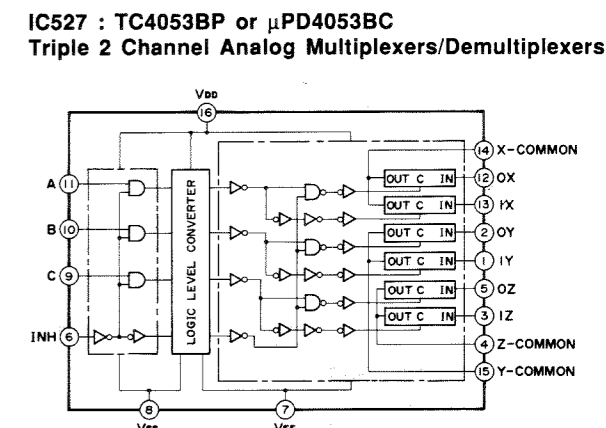
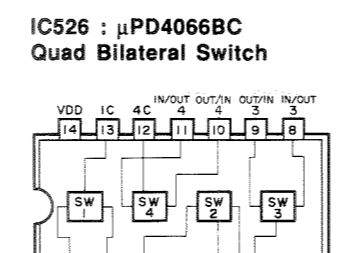
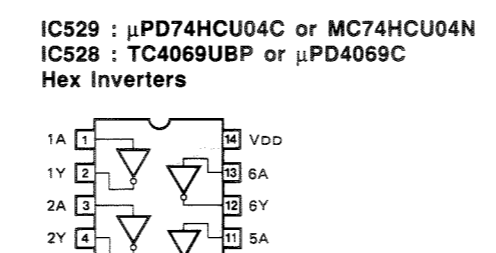
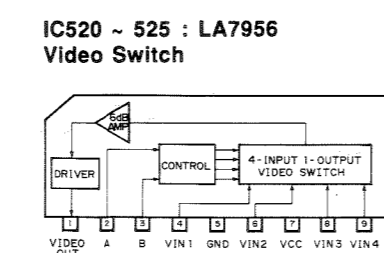
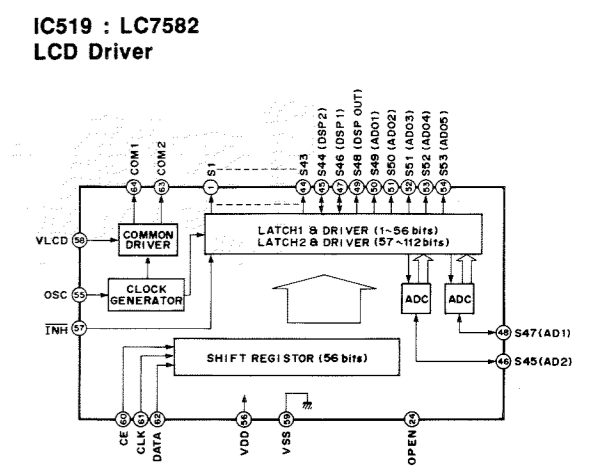
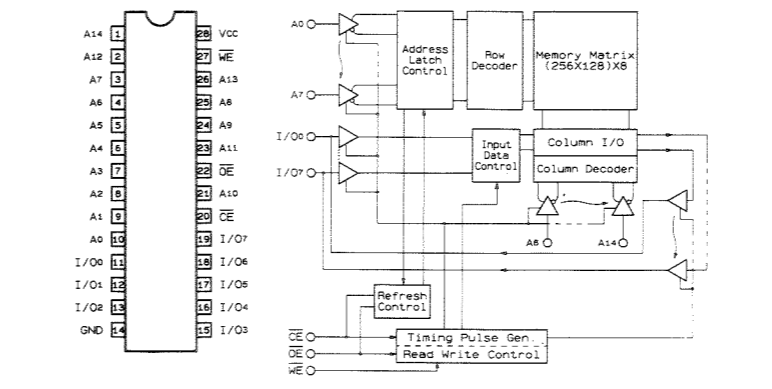


Table with 4 columns: INHIBIT (Pin 6), CONTROL INPUTS (Pin 9, 10, 11), and ON CHANNEL (Pin 12, 13, 14, 15, 16). Lists logic levels for different channels.



NOTICE: Japanese model, U.S.A. model, etc. List of component types and their corresponding part numbers.

IC501: HM6526BLFP-10T, TC51832AFL-10 or TC51832FL-10 32768-word x 8-bit High Speed Pseudo Static RAM



PIN CONNECTION DIAGRAM OF TRANSISTORS, DIODES AND ICs. Table listing various components and their pin configurations.

All voltage are measured with a 10MΩ/DC electric volt meter. Components having special characteristics are marked and must be replaced with parts having specifications equal to those originally installed. Schematic diagram is subject to change without notice.

RX-V870 SCHEMATIC DIAGRAM (MAIN)

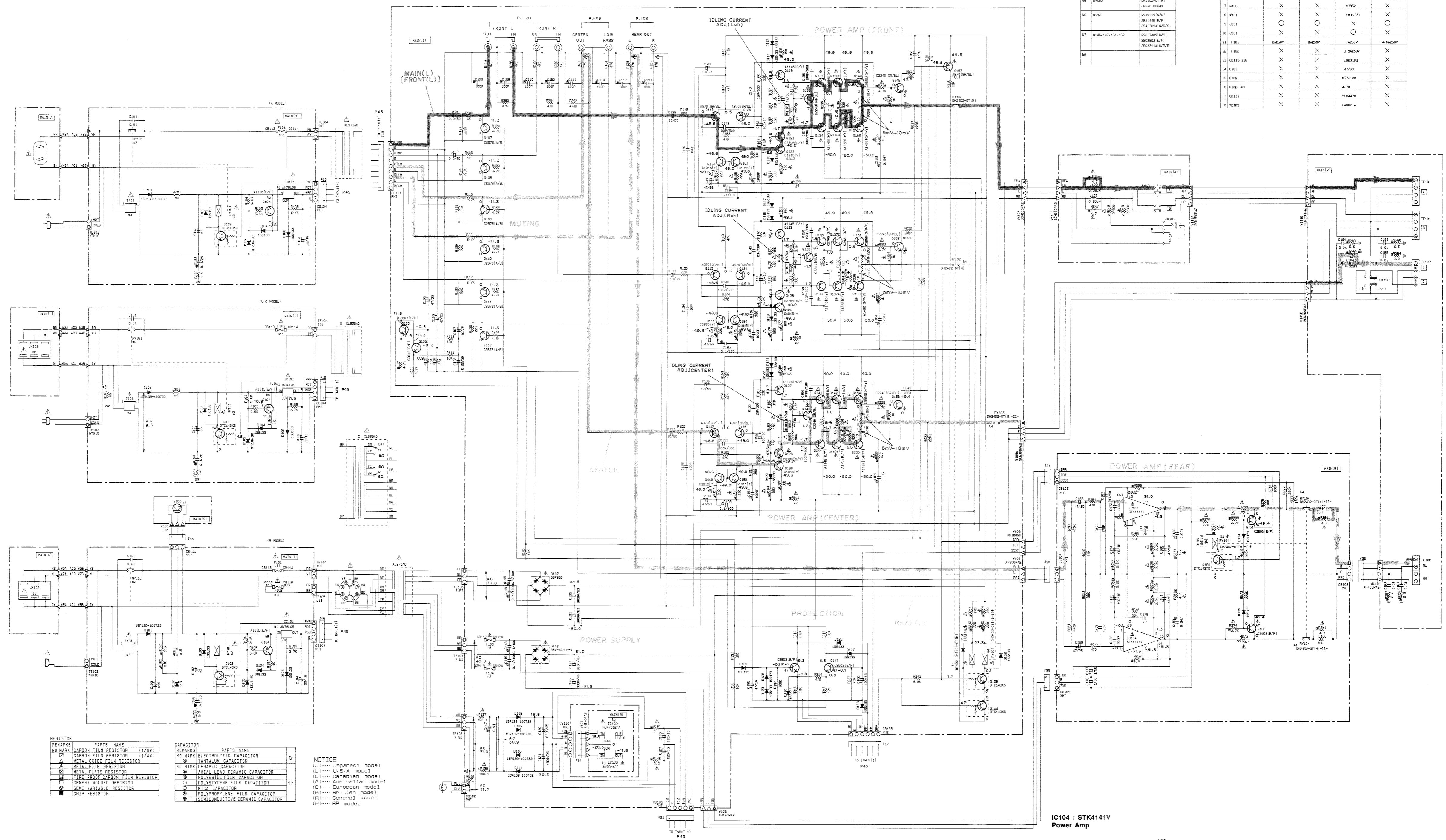
RX-V870

REV	DATE	BY	CHKD	REVISION
1	1978	198	198	1.0
2	1978	198	198	1.1
3	1978	198	198	1.2
4	1978	198	198	1.3
5	1978	198	198	1.4
6	1978	198	198	1.5
7	1978	198	198	1.6
8	1978	198	198	1.7
9	1978	198	198	1.8
10	1978	198	198	1.9
11	1978	198	198	2.0

Interchangeable Parts at Manufacture-Stage

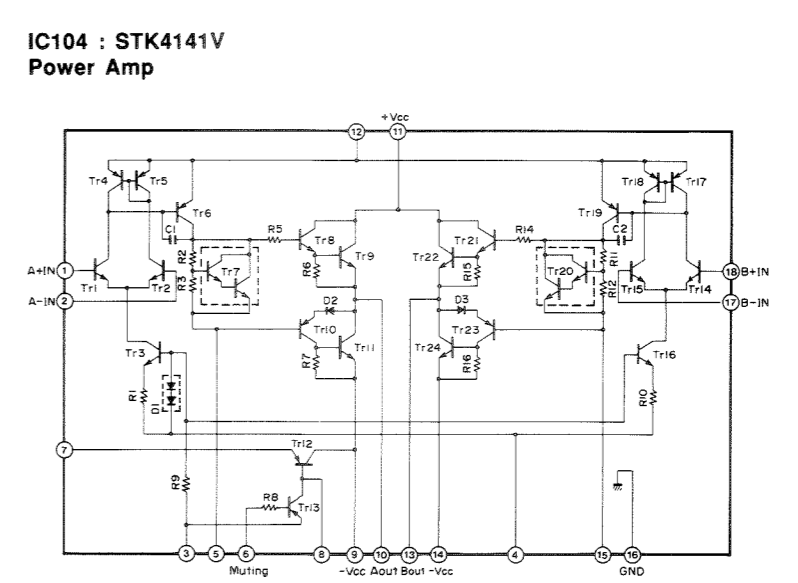
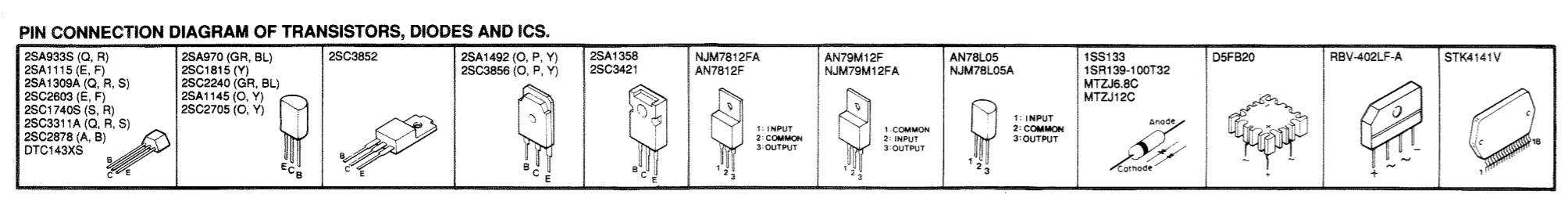
Part No.	Reference No.	Part Name	Part No.
A1	J2101	AN78L05	AN78L05A
A2	J2102	AN78L05	NJM78L05A
A3	J2103	AN78M07	NJM78M07A
A4	RV103-104	DH402-0T1M-11	DH402-0T1M
A5	RV102	DH402-0T1M	DH402-0T1M
A6	RV104	2SA1151(E/F)	2SA1151(E/F)
A7	RV146-147-151-152	2SC1745B(E/F)	2SC1745B(E/F)
A8			

No.	U	C	R	A
1	F103-104	E-04125V	E-04125V	E-04125V
2	RV101	DH101-0T1M	DH101-0T1M	DH101-0T1M
3	J2101	800/25	800/25	1000/25
4	F101	X1065	X1065	X1067
5	RV101	L/200-2M	L/200-2M	X
6	RV102	1R0017	1R0017	X
7	RV103	X	X	X
8	RV104	X	X	X
9	RV105	X	X	X
10	RV106	X	X	X
11	F101	BA25V	BA25V	14-BA25V
12	F102	X	X	3-BA25V
13	RV101-110	X	X	L4001M
14	RV102	X	X	W2110
15	RV103-104	X	X	4.7K
16	RV105	X	X	VL84070
17	RV106	X	X	L4001A
18	RV107	X	X	L4001A



RESISTOR	REMARKS	PARTS NAME	CAPACITOR	REMARKS	PARTS NAME
NO MARK		CARBON FILM RESISTOR (1/4W)	NO MARK		ELECTROLYTIC CAPACITOR
NO MARK		METAL OXIDE FILM RESISTOR	NO MARK		TANTALUM CAPACITOR
NO MARK		METAL FILM RESISTOR	NO MARK		CERAMIC CAPACITOR
NO MARK		METAL GLAZE RESISTOR	NO MARK		DIYAL LEAD CERAMIC CAPACITOR
NO MARK		THIN FILM CARBON FILM RESISTOR	NO MARK		POLYESTER FILM CAPACITOR
NO MARK		CEMENT WOUND RESISTOR	NO MARK		POLYSTYRENE FILM CAPACITOR
NO MARK		SEMI VARIABLE RESISTOR	NO MARK		MICA CAPACITOR
NO MARK		CHIP RESISTOR	NO MARK		POLYPROPYLENE FILM CAPACITOR
NO MARK			NO MARK		SEMICONDUCTIVE CERAMIC CAPACITOR

NOTICE
 (J)..... Japanese model
 (U)..... U.S.A. model
 (C)..... Canadian model
 (A)..... Australian model
 (G)..... European model
 (B)..... British model
 (P)..... General model
 (R)..... R model



All voltage are measured with a 10MΩ/V DC electric volt meter.
 Components having special characteristics are marked Δ and must be replaced with parts having specifications equal to those originally installed.
 Schematic diagram is subject to change without notice.

PARTS LIST

ELECTRICAL PARTS

RX-V1070/V870

WARNING

Components having special characteristics are marked \triangle and must be replaced with parts having specifications equal to those originally installed.

- Carbon resistors (1/6W or 1/4W) are not included in the ELECTRICAL PARTS List. For the parts No. of the carbon resistors, refer to last page.

ABBREVIATIONS IN THIS LIST ARE AS FOLLOWS :

C.A.EL.CHP	: CHIP ALUMI. ELECTROLYTIC CAP	L.EMIT	: LIGHT EMITTING MODULE
C.CE	: CERAMIC CAP	LED.DSPLY	: LED DISPLAY
C.CE.ARRAY	: CERAMIC CAP ARRAY	LED.INFRD	: LED, INFRARED
C.CE.CHP	: CHIP CERAMIC CAP	MODUL.RF	: MODULATOR, RF
C.CE.ML	: MULTILAYER CERAMIC CAP	PHOT.CPL	: PHOTO COUPLER
C.CE.M.CHP	: CHIP MULTILAYER CERAMIC CAP	PHOT.INTR	: PHOTO INTERRUPTER
C.CE.SAFTY	: RECOGNIZED CERAMIC CAP	PHOT.RFLCT	: PHOTO REFLECTOR
C.CE.TUBLR	: CERAMIC TUBULAR CAP	PIN.TEST	: PIN, TEST POINT
C.CE.SMI	: SEMI CONDUCTIVE CERAMIC CAP	PLST.RIVET	: PLASTIC RIVET
C.EL	: ELECTROLYTIC CAP	R.ARRAY	: RESISTOR ARRAY
C.MICA	: MICA CAP	R.CAR	: CARBON RESISTOR
C.ML.FLM	: MULTILAYER FILM CAP	R.CAR.CHP	: CHIP RESISTOR
C.MP	: METALLIZED PAPER CAP	R.CAR.FP	: FLAME PROOF CARBON RESISTOR
C.MYLAR	: MYLAR FILM CAP	R.FUS	: FUSABLE RESISTOR
C.MYLAR.ML	: MULTILAYER MYLAR FILM CAP	R.MTL.CHP	: CHIP METAL FILM RESISTOR
C.PAPER	: PAPER CAPACITOR	R.MTL.FLM	: METAL FILM RESISTOR
C.PLS	: POLYSTYRENE FILM CAP	R.MTL.OXD	: METAL OXIDE FILM RESISTOR
C.POL	: POLYESTER FILM CAP	R.MTL.PLAT	: METAL PLATE RESISTOR
C.POLY	: POLYETHYLENE FILM CAP	RSNR.CE	: CERAMIC RESONATOR
C.PP	: POLYPROPYLENE FILM CAP	RSNR.CRYS	: CRYSTAL RESONATOR
C.TNTL	: TANTALUM CAP	R.TW.CEM	: TWIN CEMENT FIXED RESISTOR
C.TNTL.CHP	: CHIP TANTALUM CAP	R.WW	: WIRE WOUND RESISTOR
C.TRIM	: TRIMMER CAP	SCR.BND.HD	: BIND HEAD B-TITE SCREW
CN	: CONNECTOR	SCR.BW.HD	: BW HEAD TAPPING SCREW
CN.BS.PIN	: CONNECTOR, BASE PIN	SCR.CUP	: CUP TITE SCREW
CN.CANNON	: CONNECTOR, CANNON	SCR.TERM	: SCREW TERMINAL
CN.DIN	: CONNECTOR, DIN	SCR.TR	: SCREW, TRANSISTOR
CN.FLAT	: CONNECTOR, FLAT CABLE	SUPRT.PCB	: SUPPORT, P.C.B.
CN.POST	: CONNECTOR, BASE POST	SURG.PRTCT	: SURGE PROTECTOR
COIL.MX.AM	: COIL, AM MIX	SW.TACT	: TACT SWITCH
COIL.AT.FM	: COIL, FM ANTENNA	SW.LEAF	: LEAF SWITCH
COIL.DT.FM	: COIL, FM DETECT	SW.LEVER	: LEVER SWITCH
COIL.MX.FM	: COIL, FM MIX	SW.MICRO	: MICRO SWITCH
COIL.OUTPT	: OUTPUT COIL	SW.PUSH	: PUSH SWITCH
DIOD.ARRAY	: DIODE ARRAY	SW.RT.ENC	: ROTARY ENCODER
DIODE.BRG	: DIODE BRIDGE	SW.RT.MTR	: ROTARY SWITCH WITH MOTOR
DIODE.CHP	: CHIP DIODE	SW.RT	: ROTARY SWITCH
DIODE.VAR	: VARACTOR DIODE	SW.SLIDE	: SLIDE SWITCH
DIOD.Z.CHP	: CHIP ZENER DIODE	TERM.SP	: SPEAKER TERMINAL
DIODE.ZENR	: ZENER DIODE	TERM.WRAP	: WRAPPING TERMINAL
DSCR.CE	: CERAMIC DISCRIMINATOR	THRMST.CHP	: CHIP THERMISTOR
FER.BEAD	: FERRITE BEADS	TR.CHP	: CHIP TRANSISTOR
FER.CORE	: FERRITE CORE	TR.DGT	: DIGITAL TRANSISTOR
FET.CHP	: CHIP FET	TR.DGT.CHP	: CHIP DIGITAL TRANSISTOR
FL.DSPLY	: FLUORESCENT DISPLAY	TRANS	: TRANSFORMER
FLTR.CE	: CERAMIC FILTER	TRANS.PULS	: PULSE TRANSFORMER
FLTR.COMB	: COMB FILTER MODULE	TRANS.PWR	: POWER TRANSFORMER ASS'y
FLTR.LC.RF	: LC FILTER, EMI	TUNER.AM	: TUNER PACK, AM
GND.MTL	: GROUND PLATE	TUNER.FM	: TUNER PACK, FM
GND.TERM	: GROUND TERMINAL	TUNER.PK	: FRONT-END TUNER PACK
HOLDER.FUS	: FUSE HOLDER	VR	: ROTARY POTENTIOMETER
IC.PRTCT	: IC PROTECTOR	VR.MTR	: POTENTIOMETER WITH MOTOR
JUMPER.CN	: JUMPER CONNECTOR	VR.SW	: POTENTIOMETER WITH ROTARY SW
JUMPER.TST	: JUMPER, TEST POINT	VR.SLIDE	: SLIDE POTENTIOMETER
L.DTCT	: LIGHT DETECTING MODULE	VR.TRIM	: TRIMMER POTENTIOMETER

Note) Those parts marked with "#" are not included in the P.C.B. ass'y.

RX-V1070/V870

RX-V1070 MAIN P. C. B.

RX-V1070/V870

Schm Ref.	PART NO.	Description			
*	VP635800	P.C.B.	MAIN(JC)		
*	VP635900	P.C.B.	MAIN(R)		
*	VP636000	P.C.B.	MAIN(A)		
CB101	VD005200	CN.BS.PIN	PH	i-TYPE	9P TE
CB102	VD004500	CN.BS.PIN	PH	i-TYPE	2P TE
CB103	VD004600	CN.BS.PIN	PH	i-TYPE	3P TE
CB104	VD004700	CN.BS.PIN	PH	i-TYPE	4P TE
CB105	VD004800	CN.BS.PIN	PH	i-TYPE	5P TE
CB106	VD004900	CN.BS.PIN	PH	i-TYPE	6P TE
CB107	VL844700	CN.BS.PIN	XH		3P TE
CB108	VL844800	CN.BS.PIN	XH		4P TE
CB109	VL844700	CN.BS.PIN	XH		3P TE
CB110	VL844900	CN.BS.PIN	XH	i-TYPE	5P TE
CB111	VL844700	CN.BS.PIN	XH		3P TE
CB113	LB201880	HOLDER.FUS	PC-FH1		
CB114	LB201880	HOLDER.FUS	PC-FH1		
CB115	LB201880	HOLDER.FUS	PC-FH1		
CB116	LB201880	HOLDER.FUS	PC-FH1		
CB117	LB201880	HOLDER.FUS	PC-FH1		
CB118	LB201880	HOLDER.FUS	PC-FH1		
CB119	LB201880	HOLDER.FUS	PC-FH1		
CB120	LB201880	HOLDER.FUS	PC-FH1		
C101	Fi514100	C.CE.SAFTY	0.01uF		VA-1
C102	VK181000	C.EL	1000uF		25V
C102	VP795900	C.EL	680uF		25V
C103	Vi843600	C.EL	220uF		25V
C103	Vi846200	C.EL	47uF		63V
C104	Vi846000	C.EL	22uF		63V
C105	Vi845600	C.EL	47uF		50V
C106	Vi845600	C.EL	47uF		50V
C107	Vi845900	C.EL	10uF		63V
C108	Vi844600	C.EL	0.22uF		50V
C109	UT452100	C.PP	100pF		100V
C110	UT452100	C.PP	100pF		100V
C111	UT452100	C.PP	100pF		100V
C112	UT452100	C.PP	100pF		100V
C113	UT452100	C.PP	100pF		100V
C114	UT452100	C.PP	100pF		100V
C115	Vi862200	C.POLY	0.1uF		100V
C116	Vi862200	C.POLY	0.1uF		100V
C117	UA654100	C.MYLAR	0.01uF		50V
C118	Vi862200	C.POLY	0.1uF		100V
C119	Vi862200	C.POLY	0.1uF		100V
* C120	VQ067300	C.EL	6800uF		25V
* C121	VP979700	C.EL	1800uF		25V
C122	VK527700	C.EL	15000uF		71V
C123	VK527700	C.EL	15000uF		71V
C124	VK185900	C.EL	3300uF		45V
C125	VK185900	C.EL	3300uF		45V
C126	Vi843600	C.EL	220uF		25V
C127	Vi843600	C.EL	220uF		25V
C128	Vi845900	C.EL	10uF		63V
C129	Vi845900	C.EL	10uF		63V

* New Parts

Schm Ref.	PART NO.	Description			
C130	VE551900	C.CE	100pF		50V
C131	VK182800	C.EL	47uF		100V
C133	Vi845900	C.EL	10uF		63V
C134	VE551900	C.CE	100pF		50V
C135	VK182800	C.EL	47uF		100V
C136	Vi845900	C.EL	10uF		63V
C137	Vi845900	C.EL	10uF		63V
C138	VE551900	C.CE	100pF		50V
C139	VK182800	C.EL	47uF		100V
C140	FU451150	C.MICA	15pF		500V
C141	Vi845600	C.EL	47uF		50V
C142	Vi841800	C.EL	100uF		10V
C143	FU452100	C.MICA	100pF		500V
C144	UA653100	C.MYLAR	1000pF		50V
C145	FU451150	C.MICA	15pF		500V
C146	Vi845600	C.EL	47uF		50V
C147	Vi841800	C.EL	100uF		10V
C148	FU452100	C.MICA	100pF		500V
C149	UA653100	C.MYLAR	1000pF		50V
C150	FU451150	C.MICA	15pF		500V
C151	Vi845600	C.EL	47uF		50V
C152	Vi841800	C.EL	100uF		10V
C153	FU452100	C.MICA	100pF		500V
C154	UA653100	C.MYLAR	1000pF		50V
C155	Vi845600	C.EL	47uF		50V
C156	FU452100	C.MICA	100pF		500V
C157	FU452100	C.MICA	100pF		500V
C158	FU452100	C.MICA	100pF		500V
C159	FU452100	C.MICA	100pF		500V
C160	FU452100	C.MICA	100pF		500V
C161	FU452100	C.MICA	100pF		500V
C162	Vi844900	C.EL	1uF		50V
C163	UA654470	C.MYLAR	0.047uF		50V
C164	UA654470	C.MYLAR	0.047uF		50V
C165	UA654470	C.MYLAR	0.047uF		50V
C166	Vi842600	C.EL	100uF		16V
C167	Vi845600	C.EL	47uF		50V
C168	Vi845600	C.EL	47uF		50V
C169	Vi845600	C.EL	47uF		50V
C170	FG212470	C.CE	470pF		50V
C171	FG212470	C.CE	470pF		50V
C172	FG212220	C.CE	220pF		50V
C173	FG212220	C.CE	220pF		50V
C174	Vi842600	C.EL	100uF		16V
C175	Vi842600	C.EL	100uF		16V
C176	Vi844900	C.EL	1uF		50V
C177	Vi844900	C.EL	1uF		50V
C178	FG210700	C.CE	7pF		50V
C179	FG210700	C.CE	7pF		50V
C180	Vi845600	C.EL	47uF		50V
C181	Vi845600	C.EL	47uF		50V
C182	UA654470	C.MYLAR	0.047uF		50V
C183	UA654470	C.MYLAR	0.047uF		50V

* New Parts

RX-V1070 MAIN P. C. B.

Schm Ref.	PART NO.	Description	
C184	UG444100	C.CE	0.01uF 50V
C185	UG444100	C.CE	0.01uF 50V
C186	UG444100	C.CE	0.01uF 50V
C187	UG444100	C.CE	0.01uF 50V
C188	UG444100	C.CE	0.01uF 50V
C189	UT452100	C.PP	100pF 100V
C190	UT452100	C.PP	100pF 100V
C191	Vi845000	C.EL	2.2uF 50V
C192	Vi845000	C.EL	2.2uF 50V
C193	VD930900	C.CE.SMI	0.1uF 25V
C194	Vi862200	C.POLY	0.1uF 100V
C195	Vi862200	C.POLY	0.1uF 100V
C196	Vi862200	C.POLY	0.1uF 100V
D101	VH770800	DIODE	1SR139-100 T-32
D102	VG440300	DIODE.ZENR	MTZJ12C 12V
D103	iF004600	DIODE	1SS133
D104	iF004600	DIODE	1SS133
D105	VG438400	DIODE.ZENR	MTZJ6.8C 6.8V
D106	iF004600	DIODE	1SS133
D107	iH001130	DIODE.BRG	D5FB20
D108	VH770800	DIODE	1SR139-100 T-32
D109	VH770800	DIODE	1SR139-100 T-32
D110	VH770800	DIODE	1SR139-100 T-32
D111	VH770800	DIODE	1SR139-100 T-32
D112	VH348200	DIODE.BRG	RBV-402 LF-A
D113	iF004600	DIODE	1SS133
D114	iF004600	DIODE	1SS133
D115	iF004600	DIODE	1SS133
D117	iF004600	DIODE	1SS133
D118	iF004600	DIODE	1SS133
D119	iF004600	DIODE	1SS133
D121	iF004600	DIODE	1SS133
D122	iF004600	DIODE	1SS133
D123	iF004600	DIODE	1SS133
D125	iF004600	DIODE	1SS133
D126	iF004600	DIODE	1SS133
D127	iF004600	DIODE	1SS133
D128	iF004600	DIODE	1SS133
D129	iF004600	DIODE	1SS133
D130	iF004600	DIODE	1SS133
D131	iF004600	DIODE	1SS133
D132	iF004600	DIODE	1SS133
D133	iF004600	DIODE	1SS133
D134	iF004600	DIODE	1SS133
D135	iF004600	DIODE	1SS133
D136	iF004600	DIODE	1SS133
F101	KB000790	FUSE	T4A 250V
F101	KB001390	FUSE	10A 250V
F101	KB001490	FUSE	10A 250V
F102	KB000400	FUSE	T5A 250V
F103	KB003100	FUSE	T4A 250V
F103	KB003210	FUSE	T6A 125V
F104	KB003100	FUSE	T4A 250V

Schm Ref.	PART NO.	Description	
F104	KB003210	FUSE	T6A 125V
IC101	iG157200	IC	AN78L05
IC102	XJ608A00	IC	NJM7812FA
IC103	XD342A00	IC	AN79M12F
IC104	XG199A00	IC	STK-4151V
JK101	VJ114000	JACK.PHONE	M1659
JK102	LB608170	AC OUTLET	3P
L102	VC664100	COIL	0.95uH
L103	VC664100	COIL	0.95uH
L104	VC664100	COIL	0.95uH
L105	VP964900	COIL	1uH
L106	VP964900	COIL	1uH
PJ101	VJ715400	JACK.PIN	4P
PJ102	VJ133600	JACK.PIN	2P
PJ103	Vi205900	JACK.PIN	2P
Q103	VD488500	TR.DGT	DTC143XS
Q104	iA111510	TR	2SA1115 E,F
Q105	iC260320	TR	2SC2603 E,F
Q106	iC260320	TR	2SC2603 E,F
Q107	iC287820	TR	2SC2878 A,B
Q108	iC287820	TR	2SC2878 A,B
Q109	iC287820	TR	2SC2878 A,B
Q110	iC287820	TR	2SC2878 A,B
Q111	iC287820	TR	2SC2878 A,B
Q112	iC287820	TR	2SC2878 A,B
Q113	iA097000	TR	2SA970 GR,BL
Q114	iC1815C0	TR	2SC1815 Y
Q115	iA097000	TR	2SA970 GR,BL
Q116	iC1815C0	TR	2SC1815 Y
Q117	iA097000	TR	2SA970 GR,BL
Q118	iC1815C0	TR	2SC1815 Y
Q119	VE198700	TR	2SA1145 O,Y
Q120	iA097000	TR	2SA970 GR,BL
Q121	VE198800	TR	2SC2705 O,Y
Q122	iC1815C0	TR	2SC1815 Y
Q123	VE198700	TR	2SA1145 O,Y
Q124	iA097000	TR	2SA970 GR,BL
Q125	VE198800	TR	2SC2705 O,Y
Q126	iC1815C0	TR	2SC1815 Y
Q127	VE198700	TR	2SA1145 O,Y
Q128	iA097000	TR	2SA970 GR,BL
Q129	VE198800	TR	2SC2705 O,Y
Q130	iC1815C0	TR	2SC1815 Y
Q131	VE198800	TR	2SC2705 O,Y
Q132	iC329840	TR	2SC3298
Q133	iC224000	TR	2SC2240 GR,BL
Q134	VE198700	TR	2SA1145 O,Y
Q135	iA130640	TR	2SA1306 O,Y
Q136	VE198800	TR	2SC2705 O,Y
Q137	iC329840	TR	2SC3298
Q138	iC224000	TR	2SC2240 GR,BL
Q139	VE198700	TR	2SA1145 O,Y
Q140	iA130640	TR	2SA1306 O,Y

RX-V1070/V870

* New Parts

* New Parts

RX-V1070 MAIN P. C. B.

RX-V1070/V870

Schm Ref.	PART NO.	Description	
Q141	VE198800	TR	2SC2705 O,Y
Q142	iC329840	TR	2SC3298
Q143	iC224000	TR	2SC2240 GR,BL
Q144	VE198700	TR	2SA1145 O,Y
Q145	iA130640	TR	2SA1306 O,Y
Q146	iC260320	TR	2SC2603 E,F
Q147	iC260320	TR	2SC2603 E,F
# Q148	iX801430	TR	2SC3281 O,R
# Q149	iC224030	TR	2SC2240 GR,BL
# Q150	iX801420	TR	2SA1302 O,R
# Q151	iX801430	TR	2SC3281 O,R
# Q152	iC224030	TR	2SC2240 GR,BL
# Q153	iX801420	TR	2SA1302 O,R
# Q154	iX801430	TR	2SC3281 O,R
# Q155	iC224030	TR	2SC2240 GR,BL
# Q156	iX801420	TR	2SA1302 O,R
Q157	iA097000	TR	2SA970 GR,BL
Q158	VD488500	TR.DGT	DTC143XS
Q159	VD488500	TR.DGT	DTC143XS
Q160	VD488500	TR.DGT	DTC143XS
Q161	iC260320	TR	2SC2603 E,F
Q162	iC260320	TR	2SC2603 E,F
Q163	iC1815C0	TR	2SC1815 Y
Q164	iC1815C0	TR	2SC1815 Y
Q165	iC1815C0	TR	2SC1815 Y
Q166	VC938500	TR	2SC3852
R101	HG309220	R.CAR	2.2MΩ 1/2W(UC)
R102	HV456470	R.CAR.FP	4.7KΩ 1/4W
R103	HV456470	R.CAR.FP	4.7KΩ 1/4W
R137	VG875900	R.MTL.OXD	0.1Ω 1W
R138	VG875900	R.MTL.OXD	0.1Ω 1W
R139	HL314390	R.MTL.OXD	39Ω 1W
R141	HV453100	R.CAR.FP	1Ω 1/4W
R142	HV453220	R.CAR.FP	2.2Ω 1/4W
R147	HV455220	R.CAR.FP	220Ω 1/4W
R152	HV455220	R.CAR.FP	220Ω 1/4W
R157	HV455220	R.CAR.FP	220Ω 1/4W
R158	HV455150	R.CAR.FP	150Ω 1/4W
R166	HV455100	R.CAR.FP	100Ω 1/4W
R167	HV455680	R.CAR.FP	680Ω 1/4W
R168	HV455220	R.CAR.FP	220Ω 1/4W
R169	HV455150	R.CAR.FP	150Ω 1/4W
R177	HV455100	R.CAR.FP	100Ω 1/4W
R178	HV455680	R.CAR.FP	680Ω 1/4W
R179	HV455220	R.CAR.FP	220Ω 1/4W
R180	HV455150	R.CAR.FP	150Ω 1/4W
R188	HV455100	R.CAR.FP	100Ω 1/4W
R189	HV455680	R.CAR.FP	680Ω 1/4W
R190	HV455220	R.CAR.FP	220Ω 1/4W
R194	VK189500	R.FUS	3.3KΩ 1/4W
R195	VK189000	R.FUS	1KΩ 1/4W
R196	VK188400	R.FUS	330Ω 1/4W
R197	VK188700	R.FUS	560Ω 1/4W

* New Parts

Schm Ref.	PART NO.	Description	
R198	VK186600	R.FUS	10Ω 1/4W
R199	HV454470	R.CAR.FP	47Ω 1/4W
R200	VK189500	R.FUS	3.3KΩ 1/4W
R201	VK189000	R.FUS	1KΩ 1/4W
R202	VK188400	R.FUS	330Ω 1/4W
R203	VK188700	R.FUS	560Ω 1/4W
R204	VK186600	R.FUS	10Ω 1/4W
R205	HV454470	R.CAR.FP	47Ω 1/4W
R206	VK189500	R.FUS	3.3KΩ 1/4W
R207	VK189000	R.FUS	1KΩ 1/4W
R208	VK188400	R.FUS	330Ω 1/4W
R209	VK188700	R.FUS	560Ω 1/4W
R210	VK186600	R.FUS	10Ω 1/4W
R211	HV454470	R.CAR.FP	47Ω 1/4W
R218	HV456470	R.CAR.FP	4.7KΩ 1/4W
R219	HV455820	R.CAR.FP	820Ω 1/4W
R220	VJ787600	R.MTL.PLAT	0.22Ω+0.22 5W
R221	VK186600	R.FUS	10Ω 1/4W
R222	HV453470	R.CAR.FP	4.7Ω 1/4W
R223	HV456470	R.CAR.FP	4.7KΩ 1/4W
R224	HV455820	R.CAR.FP	820Ω 1/4W
R225	VJ787600	R.MTL.PLAT	0.22Ω+0.22 5W
R226	VK186600	R.FUS	10Ω 1/4W
R227	HV453470	R.CAR.FP	4.7Ω 1/4W
R228	HV456470	R.CAR.FP	4.7KΩ 1/4W
R229	HV455820	R.CAR.FP	820Ω 1/4W
R230	VJ787600	R.MTL.PLAT	0.22Ω+0.22 5W
R231	VK186600	R.FUS	10Ω 1/4W
R232	HV453470	R.CAR.FP	4.7Ω 1/4W
R241	HV455270	R.CAR.FP	270Ω 1/4W
R242	HV455270	R.CAR.FP	270Ω 1/4W
R244	HV455270	R.CAR.FP	270Ω 1/4W
R245	HV455270	R.CAR.FP	270Ω 1/4W
R246	HV453470	R.CAR.FP	4.7Ω 1/4W
R247	HV453470	R.CAR.FP	4.7Ω 1/4W
R248	HL325390	R.MTL.OXD	390Ω 2W
R249	HL325390	R.MTL.OXD	390Ω 2W
R260	HV456220	R.CAR.FP	2.2KΩ 1/4W
R261	HV453470	R.CAR.FP	4.7Ω 1/4W
R262	HV456220	R.CAR.FP	2.2KΩ 1/4W
R263	HV456220	R.CAR.FP	2.2KΩ 1/4W
R264	HV453470	R.CAR.FP	4.7Ω 1/4W
R265	HV456220	R.CAR.FP	2.2KΩ 1/4W
R266	HV454470	R.CAR.FP	47Ω 1/4W
R267	HV453220	R.CAR.FP	2.2Ω 1/4W
R268	VK189600	R.MTL.OXD	0.1Ω 1W
R269	HV456470	R.CAR.FP	4.7KΩ 1/4W
R270	HV455270	R.CAR.FP	270Ω 1/4W
R271	HV455270	R.CAR.FP	270Ω 1/4W
R274	HV456470	R.CAR.FP	4.7KΩ 1/4W
R275	VK189600	R.MTL.OXD	0.1Ω 1W
R280	HV453470	R.CAR.FP	4.7Ω 1/4W
R281	HV453470	R.CAR.FP	4.7Ω 1/4W

* New Parts

RX-V1070 MAIN & INPUT P. C. B.

Schm Ref.	PART NO.	Description		
R282	HV453470	R. CAR. FP	4.7Ω	1/4W
R283	HV453220	R. CAR. FP	2.2Ω	1/4W
R284	HV453220	R. CAR. FP	2.2Ω	1/4W
R285	HV453220	R. CAR. FP	2.2Ω	1/4W
R286	HV453220	R. CAR. FP	2.2Ω	1/4W
R287	HV453220	R. CAR. FP	2.2Ω	1/4W
RY101	VG971200	RELAY	AC TY12D1-0	TV-8
RY101	VK539200	RELAY	DC DH12D1-0M	
RY102	KC002020	RELAY	DH24D2-OTM	
RY103	KC002020	RELAY	DH24D2-OTM	
RY104	VK438300	RELAY	DH24D2-OTM-II	
* SW101	VP741600	SW. PUSH	SPUN24-2	
SW102	VJ769200	SW. SLIDE	ESD-2764	
T101	X1481A00	TRANS. PWR	(UC)	
T101	X1482A00	TRANS. PWR	(AB)	
T101	X1790A00	TRANS. PWR	(R)	
TE101	VJ792600	TERM. SP	8P	
TE102	VJ792600	TERM. SP	8P	
TE103	LA003870	TERM. WRAP	2P L-TYPE	P=10
TE104	LA002140	TERM. WRAP	2P i-TYPE	P=10
TE105	LA002140	TERM. WRAP	2P i-TYPE	P=10
TE106	LA002320	TERM. WRAP	3P i-TYPE	P=7.5
TE107	LA002320	TERM. WRAP	3P i-TYPE	P=7.5
TE108	LA002320	TERM. WRAP	3P i-TYPE	P=7.5
VR101	VJ692700	VR. TRIM	B330Ω	
VR102	VJ692700	VR. TRIM	B330Ω	
VR103	VJ692700	VR. TRIM	B330Ω	
* * *	VP636100	P. C. B.	INPUT (UC)	
* * *	VP636200	P. C. B.	INPUT (R)	
* * *	VP636300	P. C. B.	INPUT (A)	
CB701	VD004500	CN. BS. PIN	PH i-TYPE	2P TE
CB702	VD004600	CN. BS. PIN	PH i-TYPE	3P TE
CB703	VD004600	CN. BS. PIN	PH i-TYPE	3P TE
CB704	LB918020	CN. BS. PIN	XH i-TYPE	2P TE
CB705	VD004800	CN. BS. PIN	PH i-TYPE	5P TE
CB706	VD004600	CN. BS. PIN	PH i-TYPE	3P TE
CB707	VD004700	CN. BS. PIN	PH i-TYPE	4P TE
CB708	VD005000	CN. BS. PIN	PH i-TYPE	7P TE
CB709	VD004700	CN. BS. PIN	PH i-TYPE	4P TE
CB710	VD005000	CN. BS. PIN	PH i-TYPE	7P TE
CB711	VD004600	CN. BS. PIN	PH i-TYPE	3P TE
CB712	VD005000	CN. BS. PIN	PH i-TYPE	7P TE
CB713	VD004600	CN. BS. PIN	PH i-TYPE	3P TE
CB714	VD005300	CN. BS. PIN	PH i-TYPE	10P TE
CB715	VD005100	CN. BS. PIN	PH i-TYPE	8P TE
CB716	VD004800	CN. BS. PIN	PH i-TYPE	5P TE
C701	Vi844900	C. EL	1uF	50V
C702	UT452220	C. PP	220pF	100V
C703	UT452220	C. PP	220pF	100V
C704	Vi844900	C. EL	1uF	50V

* New Parts

Schm Ref.	PART NO.	Description		
C705	VG280100	C. CE. TUBLR	0.022uF	25V
C706	VF466900	C. CE. TUBLR	470pF	50V
C707	VF466900	C. CE. TUBLR	470pF	50V
C708	VF466900	C. CE. TUBLR	470pF	50V
C709	VF466900	C. CE. TUBLR	470pF	50V
C710	VF466900	C. CE. TUBLR	470pF	50V
C711	VF466900	C. CE. TUBLR	470pF	50V
C712	VF466900	C. CE. TUBLR	470pF	50V
C713	VF466900	C. CE. TUBLR	470pF	50V
C714	VF466900	C. CE. TUBLR	470pF	50V
C715	VF466900	C. CE. TUBLR	470pF	50V
C716	VF466900	C. CE. TUBLR	470pF	50V
C717	VF466900	C. CE. TUBLR	470pF	50V
C718	VF466900	C. CE. TUBLR	470pF	50V
C719	VF466900	C. CE. TUBLR	470pF	50V
C720	VF466900	C. CE. TUBLR	470pF	50V
C721	VF466900	C. CE. TUBLR	470pF	50V
C722	Vi842400	C. EL	33uF	16V
C723	Vi842400	C. EL	33uF	16V
C724	Vi842400	C. EL	33uF	16V
C725	Vi309200	C. EL	1000uF	10V
C726	Vi842400	C. EL	33uF	16V
C727	Vi309200	C. EL	1000uF	10V
C728	Vi309200	C. EL	1000uF	10V
C729	UA654390	C. MYLAR	0.039uF	50V
C730	UA654110	C. MYLAR	0.011uF	50V
C731	UT653270	C. PP	2700pF	100V
C732	Vi841100	C. EL	220uF	6.3V
C733	Vi842600	C. EL	100uF	16V
C734	Vi841100	C. EL	220uF	6.3V
C735	Vi842600	C. EL	100uF	16V
C736	UT653270	C. PP	2700pF	100V
C737	UA654390	C. MYLAR	0.039uF	50V
C738	UA654110	C. MYLAR	0.011uF	50V
C739	VF467300	C. CE. TUBLR	0.01uF	16V
C740	VF467300	C. CE. TUBLR	0.01uF	16V
C741	VF467300	C. CE. TUBLR	0.01uF	16V
C742	Vi845000	C. EL	2.2uF	50V
C743	Vi845000	C. EL	2.2uF	50V
C744	Vi842400	C. EL	33uF	16V
C745	Vi842400	C. EL	33uF	16V
C746	Vi842400	C. EL	33uF	16V
C747	Vi845900	C. EL	10uF	63V
C748	Vi845900	C. EL	10uF	63V
C749	Vi844900	C. EL	1uF	50V
C750	Vi844900	C. EL	1uF	50V
C751	Vi845900	C. EL	10uF	63V
C752	Vi845900	C. EL	10uF	63V
C753	Vi845900	C. EL	10uF	63V
C754	Vi845900	C. EL	10uF	63V
C755	Vi846000	C. EL	22uF	63V
C756	Vi845600	C. EL	47uF	50V
C757	Vi845600	C. EL	47uF	50V

* New Parts

RX-V1070/V870

RX-V1070 INPUT P. C. B.

RX-V1070/V870

Schm Ref.	PART NO.	Description		
C758	Vi846000	C.EL	22uF	63V
C759	UG444100	C.CE	0.01uF	50V
C760	UG444100	C.CE	0.01uF	50V
C761	Vi845900	C.EL	10uF	63V
C762	Vi845900	C.EL	10uF	63V
C763	Vi844900	C.EL	1uF	50V
C764	Vi844900	C.EL	1uF	50V
C765	Vi844900	C.EL	1uF	50V
C766	VG722100	C.EL	1uF	50V
C767	Vi845600	C.EL	47uF	50V
C768	UT452100	C.PP	100pF	100V
C769	Vi845600	C.EL	47uF	50V
C770	Vi845600	C.EL	47uF	50V
C771	UT452100	C.PP	100pF	100V
C772	Vi845600	C.EL	47uF	50V
C773	Vi845600	C.EL	47uF	50V
C774	Vi845600	C.EL	47uF	50V
C775	Vi845600	C.EL	47uF	50V
C776	UT452100	C.PP	100pF	100V
C777	Vi845600	C.EL	47uF	50V
C778	Vi845600	C.EL	47uF	50V
C779	Vi845600	C.EL	47uF	50V
C780	Vi845600	C.EL	47uF	50V
C781	Vi845600	C.EL	47uF	50V
C782	Vi845600	C.EL	47uF	50V
C783	Vi845600	C.EL	47uF	50V
C784	Vi845600	C.EL	47uF	50V
C785	Vi845600	C.EL	47uF	50V
C786	Vi845600	C.EL	47uF	50V
C787	Vi845600	C.EL	47uF	50V
C788	UA655100	C.MYLAR	0.1uF	50V
C789	UA655100	C.MYLAR	0.1uF	50V
C790	VE551500	C.CE	47pF	50V
C791	Vi845100	C.EL	3.3uF	50V
C792	Vi845100	C.EL	3.3uF	50V
C793	VE551500	C.CE	47pF	50V
C794	UA655100	C.MYLAR	0.1uF	50V
C795	UA655100	C.MYLAR	0.1uF	50V
C796	Vi844900	C.EL	1uF	50V
C797	Vi845600	C.EL	47uF	50V
C798	VE551500	C.CE	47pF	50V
C799	VE551500	C.CE	47pF	50V
C800	Vi845600	C.EL	47uF	50V
C801	Vi844900	C.EL	1uF	50V
C802	UA655100	C.MYLAR	0.1uF	50V
C803	UA654220	C.MYLAR	0.022uF	50V
C804	UA654220	C.MYLAR	0.022uF	50V
C805	UA655100	C.MYLAR	0.1uF	50V
C806	Vi845900	C.EL	10uF	63V
C807	Vi844800	C.EL	0.47uF	50V
C808	VJ599100	C.CE.TUBLR	0.1uF	50V
C809	VJ599100	C.CE.TUBLR	0.1uF	50V
C810	VC613700	C.EL	4700uF	5.5V

* New Parts

Schm Ref.	PART NO.	Description		
C811	VF467000	C.CE.TUBLR	1000pF	50V
C812	VF467300	C.CE.TUBLR	0.01uF	16V
C815	FZ005880	C.CE.ML	0.1uF	25V
C816	VF467000	C.CE.TUBLR	1000pF	50V
C817	VF467000	C.CE.TUBLR	1000pF	50V
C818	Vi841800	C.EL	100uF	10V
C819	UG444100	C.CE	0.01uF	50V
C820	Vi844900	C.EL	1uF	50V
D701	iF004600	DIODE	1SS133	
D702	iF004600	DIODE	1SS133	
D703	iF004600	DIODE	1SS133	
D704	iF004600	DIODE	1SS133	
D705	iF004600	DIODE	1SS133	
D706	iF004600	DIODE	1SS133	
D708	iF004600	DIODE	1SS133	
D709	iF004600	DIODE	1SS133	
D710	iF004600	DIODE	1SS133	
D711	iF004600	DIODE	1SS133	
D712	VG436900	DIODE.ZENR	MTZJ4.3C	4.3V
D713	iF004600	DIODE	1SS133	
D714	iF004600	DIODE	1SS133	
IC701	XC520A01	IC	uPC4570C	
IC702	XG732A00	IC	LC7821N	
IC703	XB247301	IC	uPC4570HA	
IC704	iG001770	IC	TC4051BP	
IC705	iG037400	IC	uPD4066BC	
IC706	iG001770	IC	TC4051BP	
IC707	iG001770	IC	TC4051BP	
IC708	iG037400	IC	uPD4066BC	
IC709	Xi487A00	IC	AN78L09	
IC710	Xi488A00	IC	AN79L09	
IC711	XB247301	IC	uPC4570HA	
IC712	XB247301	IC	uPC4570HA	
IC713	XB247301	IC	uPC4570HA	
IC714	XB247301	IC	uPC4570HA	
IC715	XB247301	IC	uPC4570HA	
IC716	XB247301	IC	uPC4570HA	
IC717	XE536001	IC	LC7535	
IC718	XE536001	IC	LC7535	
IC719	iG152500	IC	BA6229	
IC720	XL965A00	IC	HD647323P (UC)	
IC720	XL965B00	IC	HD6433238A23P (RA)	
IC721	XJ757A00	IC	NJM78L05A-T3	
IC722	XB247301	IC	uPC4570HA	
IC723	iG001720	IC	TC4069UBP	
IC724	XH436A00	IC	LA7956	
IC725	XH436A00	IC	LA7956	
IC726	XH436A00	IC	LA7956	
IC727	iG037400	IC	uPD4066BC	
IC728	XA070A00	IC	uPD4052BC	
JK701	VJ726800	JACK.MNI		
PJ701	VJ696300	JACK.PIN	4P	
PJ702	VJ696200	JACK.PIN	4P	

* New Parts

RX-V1070 INPUT & DSP P. C. B.

Schm Ref.	PART NO.	Description
PJ703	VJ696400	JACK.PIN 6P
PJ704	VJ696200	JACK.PIN 4P
PJ705	VJ695900	JACK.PIN 3P
PJ706	VJ695800	JACK.PIN 3P
Q701	iB054430	TR 2SB544 D,E,F,G
Q702	VG722000	TR.DGT DTC144ES
Q703	VD678700	TR.DGT DTC114ES
Q704	VC218700	TR 2SA1317 R,S,T
R728	HV455100	R.CAR.FP 100Ω 1/4W
R741	HV455100	R.CAR.FP 100Ω 1/4W
R751	HV454330	R.CAR.FP 33Ω 1/4W
R753	HV454330	R.CAR.FP 33Ω 1/4W
R755	HV454330	R.CAR.FP 33Ω 1/4W
R761	HV455100	R.CAR.FP 100Ω 1/4W
R766	HV455100	R.CAR.FP 100Ω 1/4W
R767	HV454100	R.CAR.FP 10Ω 1/4W
R768	HV454100	R.CAR.FP 10Ω 1/4W
R824	HV453470	R.CAR.FP 4.7Ω 1/4W
R835	HV454100	R.CAR.FP 10Ω 1/4W
R843	HV453220	R.CAR.FP 2.2Ω 1/4W
R848	VD270100	R.ARRAY 100KΩx8
R851	HV454680	R.CAR.FP 68Ω 1/4W
SW701	VJ769400	SW.PUSH SPUN24 2
SW702	VK176000	SW.RT SRRS
VR701	VJ770700	VR.MTR 100KYΩx5
VR702	VE854600	VR MN30KΩ
VR703	VK176100	VR 16KΩ L=30
VR704	VK176300	VR 20KΩ L=30
XL701	Vi951800	RSNR.CE 20MHZ
	VB966900	CN IMSA-6024
	VK433900	
*	VP636700	P.C.B. DSP (UC)
*	VP636800	P.C.B. DSP (R)
*	VQ082100	P.C.B. DSP (A)
CB501	VB858700	CN.BS.PIN PH 8P SE
CB502	VD004800	CN.BS.PIN PH i-TYPE 5P TE
CB503	VD005300	CN.BS.PIN PH i-TYPE 10P TE
C501	UB052120	C.CE.M.CHP 120pF 50V
C502	UB052120	C.CE.M.CHP 120pF 50V
C503	UB052120	C.CE.M.CHP 120pF 50V
C504	Vi843600	C.EL 220uF 25V
C505	Vi843600	C.EL 220uF 25V
C506	VD499400	C.CE.M.CHP 0.1uF 25W
C507	Vi845600	C.EL 47uF 50V
C510	Vi845600	C.EL 47uF 50V
C511	VD499400	C.CE.M.CHP 0.1uF 25W
C513	Vi845600	C.EL 47uF 50V
C514	UT653330	C.PP 3300pF 100V
C515	UT653330	C.PP 3300pF 100V
C516	UB052120	C.CE.M.CHP 120pF 50V

* New Parts

Schm Ref.	PART NO.	Description
C517	UB052120	C.CE.M.CHP 120pF 50V
C518	UB052120	C.CE.M.CHP 120pF 50V
C519	UB052120	C.CE.M.CHP 120pF 50V
C520	UB052120	C.CE.M.CHP 120pF 50V
C521	Vi845600	C.EL 47uF 50V
C522	Vi845600	C.EL 47uF 50V
C523	Vi845000	C.EL 2.2uF 50V
C524	Vi845000	C.EL 2.2uF 50V
C525	Vi845600	C.EL 47uF 50V
C526	Vi845600	C.EL 47uF 50V
C527	Vi845600	C.EL 47uF 50V
C528	UB051330	C.CE.M.CHP 33pF 50V
C529	UB052100	C.CE.M.CHP 100pF 50V
C530	UB052100	C.CE.M.CHP 100pF 50V
C531	UB051330	C.CE.M.CHP 33pF 50V
C532	UB051330	C.CE.M.CHP 33pF 50V
C533	UB052100	C.CE.M.CHP 100pF 50V
C534	UB052100	C.CE.M.CHP 100pF 50V
C535	UB051330	C.CE.M.CHP 33pF 50V
C536	VE551900	C.CE 100pF 50V
C537	VE551900	C.CE 100pF 50V
C538	UB052330	C.CE.M.CHP 330pF 50V
C539	Vi845600	C.EL 47uF 50V
C540	Vi845600	C.EL 47uF 50V
C541	UB052330	C.CE.M.CHP 330pF 50V
C542	UB052330	C.CE.M.CHP 330pF 50V
C543	UA655180	C.MYLAR 0.18uF 50V
C544	Vi845600	C.EL 47uF 50V
C545	Vi845600	C.EL 47uF 50V
C546	UA653240	C.MYLAR 2400pF 50V
C547	UA653240	C.MYLAR 2400pF 50V
C548	Vi845600	C.EL 47uF 50V
C549	Vi845600	C.EL 47uF 50V
C550	UA653240	C.MYLAR 2400pF 50V
C551	UA653240	C.MYLAR 2400pF 50V
C552	Vi845600	C.EL 47uF 50V
C553	Vi230500	C.CE.M.CHP 3300pF 50V
C554	Vi845600	C.EL 47uF 50V
C555	UB052180	C.CE.M.CHP 180pF 50V
C556	UB052180	C.CE.M.CHP 180pF 50V
C557	Vi845600	C.EL 47uF 50V
C558	Vi230500	C.CE.M.CHP 3300pF 50V
C559	Vi230500	C.CE.M.CHP 3300pF 50V
C560	Vi845000	C.EL 2.2uF 50V
C561	UB052180	C.CE.M.CHP 180pF 50V
C562	UB052180	C.CE.M.CHP 180pF 50V
C563	Vi845000	C.EL 2.2uF 50V
C564	Vi230500	C.CE.M.CHP 3300pF 50V
C565	Vi845600	C.EL 47uF 50V
C566	Vi845600	C.EL 47uF 50V
C567	UB052330	C.CE.M.CHP 330pF 50V
C568	Vi845600	C.EL 47uF 50V
C569	Vi845600	C.EL 47uF 50V

* New Parts

RX-V1070/V870

RX-V1070 DSP P. C. B.

RX-V1070V870

Schm Ref.	PART NO.	Description		
C570	UB052100	C.CE.M.CHP	100pF	50V
C571	UB052100	C.CE.M.CHP	100pF	50V
C572	Vi845600	C.EL	47uF	50V
C573	Vi845600	C.EL	47uF	50V
C574	Vi845600	C.EL	47uF	50V
C575	Vi845600	C.EL	47uF	50V
C576	Vi845600	C.EL	47uF	50V
C577	Vi845600	C.EL	47uF	50V
C578	Vi845600	C.EL	47uF	50V
C579	Vi845600	C.EL	47uF	50V
C580	UB052150	C.CE.M.CHP	150pF	50V
C581	UB052150	C.CE.M.CHP	150pF	50V
C582	Vi845600	C.EL	47uF	50V
C583	Vi845600	C.EL	47uF	50V
C584	UB052120	C.CE.M.CHP	120pF	50V
C585	UB052120	C.CE.M.CHP	120pF	50V
C586	UB052120	C.CE.M.CHP	120pF	50V
C587	Vi845600	C.EL	47uF	50V
C588	Vi845600	C.EL	47uF	50V
C589	UB052120	C.CE.M.CHP	120pF	50V
C590	UB052120	C.CE.M.CHP	120pF	50V
C591	UB052120	C.CE.M.CHP	120pF	50V
C592	UB052120	C.CE.M.CHP	120pF	50V
C593	UB052120	C.CE.M.CHP	120pF	50V
C594	UB052120	C.CE.M.CHP	120pF	50V
C595	UB052120	C.CE.M.CHP	120pF	50V
C596	VJ310400	C.CE.TUBLR	680pF	50V
C597	Vi845900	C.EL	10uF	63V
C598	Vi845600	C.EL	47uF	50V
C599	Vi845600	C.EL	47uF	50V
C600	VD499400	C.CE.M.CHP	0.1uF	25W
C601	UB052120	C.CE.M.CHP	120pF	50V
C602	UB052120	C.CE.M.CHP	120pF	50V
C603	Vi309200	C.EL	1000uF	10V
C604	Vi842400	C.EL	33uF	16V
C605	Vi842400	C.EL	33uF	16V
C606	Vi842400	C.EL	33uF	16V
C607	Vi842400	C.EL	33uF	16V
C608	Vi842400	C.EL	33uF	16V
C609	Vi309200	C.EL	1000uF	10V
C610	VF467300	C.CE.TUBLR	0.01uF	16V
C611	Vi842400	C.EL	33uF	16V
C612	Vi842400	C.EL	33uF	16V
C613	Vi842400	C.EL	33uF	16V
C614	Vi309200	C.EL	1000uF	10V
C615	Vi842400	C.EL	33uF	16V
C616	Vi842400	C.EL	33uF	16V
C617	VF467300	C.CE.TUBLR	0.01uF	16V
C618	Vi842400	C.EL	33uF	16V
C619	VF467300	C.CE.TUBLR	0.01uF	16V
C620	Vi842400	C.EL	33uF	16V
C621	Vi231700	C.CE.M.CHP	0.01uF	50V
C622	Vi845900	C.EL	10uF	63V

* New Parts

Schm Ref.	PART NO.	Description		
C623	Vi841800	C.EL	100uF	10V
C624	Vi841800	C.EL	100uF	10V
C625	UB052820	C.CE.M.CHP	820pF	50V
C626	Vi845900	C.EL	10uF	63V
C627	UB052120	C.CE.M.CHP	120pF	50V
C628	UB052220	C.CE.M.CHP	220pF	50V
C629	Vi845900	C.EL	10uF	63V
C630	Vi845900	C.EL	10uF	63V
C631	Vi845900	C.EL	10uF	63V
C632	Vi845600	C.EL	47uF	50V
C633	VD499400	C.CE.M.CHP	0.1uF	25W
C634	VD499400	C.CE.M.CHP	0.1uF	25W
C635	UB051330	C.CE.M.CHP	33pF	50V
C636	Vi845600	C.EL	47uF	50V
C637	Vi845200	C.EL	4.7uF	50V
C638	VF466600	C.CE.TUBLR	10pF	50V
C639	UB051220	C.CE.M.CHP	22pF	50V
C640	UB051220	C.CE.M.CHP	22pF	50V
C641	UB051330	C.CE.M.CHP	33pF	50V
C642	Vi845200	C.EL	4.7uF	50V
C643	Vi844900	C.EL	1uF	50V
C644	Vi845900	C.EL	10uF	63V
C645	Vi845900	C.EL	10uF	63V
C646	Vi845900	C.EL	10uF	63V
C647	Vi845900	C.EL	10uF	63V
C648	VD499400	C.CE.M.CHP	0.1uF	25W
C649	VD499400	C.CE.M.CHP	0.1uF	25W
C650	VD499400	C.CE.M.CHP	0.1uF	25W
C651	VD499400	C.CE.M.CHP	0.1uF	25W
C652	VD499400	C.CE.M.CHP	0.1uF	25W
C653	VD499400	C.CE.M.CHP	0.1uF	25W
C654	Vi845600	C.EL	47uF	50V
C655	Vi841800	C.EL	100uF	10V
C656	Vi845600	C.EL	47uF	50V
C657	Vi845600	C.EL	47uF	50V
C658	VD499400	C.CE.M.CHP	0.1uF	25W
C660	Vi845600	C.EL	47uF	50V
C661	VG279600	C.CE.TUBLR	3300pF	16V
D501	iF004600	DIODE	1SS133	
D502	iF004600	DIODE	1SS133	
D503	iF004600	DIODE	1SS133	
D504	iF004600	DIODE	1SS133	
D505	iF004600	DIODE	1SS133	
D506	iF004600	DIODE	1SS133	
D507	iF004600	DIODE	1SS133	
D508	iF004600	DIODE	1SS133	
D509	iF004600	DIODE	1SS133	
D510	iF004600	DIODE	1SS133	
D511	iF004600	DIODE	1SS133	
D512	iF004600	DIODE	1SS133	
D513	iF004600	DIODE	1SS133	
D514	iF004600	DIODE	1SS133	
D515	iF004600	DIODE	1SS133	

* New Parts

RX-V1070 DSP P. C. B.

Schm Ref.	PART NO.	Description		
* D516	VG435100	DIODE.ZENR	MTZJ2B	2.0V
D517	iF004600	DIODE	1SS133	
D518	iF004600	DIODE	1SS133	
D519	iF004600	DIODE	1SS133	
D520	iF004600	DIODE	1SS133	
D521	iF004600	DIODE	1SS133	
D522	iF004600	DIODE	1SS133	
F1501	VK175000	FLTR.LC	18KHz	TFB-2D
F1502	VK175000	FLTR.LC	18KHz	TFB-2D
IC501	Xi020A00	IC	HM65256BLFP-10T	
IC502	XB646A00	IC	AN78M05F	
* IC503	XL816A00	IC	YSS223-K	
IC504	XB247301	IC	uPC4570HA	
IC505	XB247301	IC	uPC4570HA	
IC506	XB247301	IC	uPC4570HA	
IC507	XB247301	IC	uPC4570HA	
IC508	XB247301	IC	uPC4570HA	
* IC509	XL669A00	IC	M5238AFP	
IC510	XF291A00	IC	uPC4570G2	
IC511	XB247301	IC	uPC4570HA	
IC512	XB247301	IC	uPC4570HA	
IC513	XB247301	IC	uPC4570HA	
* IC514	XL669A00	IC	M5238AFP	
IC515	XF291A00	IC	uPC4570G2	
IC516	XE536001	IC	LC7535	
IC517	XG758A00	IC	LC7823N	
IC518	XB247301	IC	uPC4570HA	
IC519	XB417A00	IC	LC7582	
IC520	XH436A00	IC	LA7956	
IC521	XH436A00	IC	LA7956	
IC522	XH436A00	IC	LA7956	
IC523	XH436A00	IC	LA7956	
IC524	XH436A00	IC	LA7956	
IC525	XH436A00	IC	LA7956	
IC526	iG037400	IC	uPD4066BC	
IC527	iG055100	IC	TC4053BP	
IC528	iG001720	IC	TC4069UBP	
IC529	iG142220	IC	uPD74HCU04C	
IC530	XL314A00	IC	M35010-062SP	
IC531	XB646A00	IC	AN78M05F	
IC532	XF612A00	IC	AN79M05F	
J691	RD250000	R.CAR.CHP	0 Ω	1/10W
JK501	VH842700	CN	3P	
JK502	VJ784800	CN	3P	
L501	Vi546100	COIL	220uH	
L502	VB115600	COIL	15uH	
* L503	Vi544200	COIL	5.6uH	
Q501	iC260320	TR	2SC2603 E,F	
Q502	VD678700	TR.DGT	DTC114ES	
Q503	VD678500	TR.DGT	DTA114ES	
Q504	iA101521	TR	2SA1015 Y	
Q505	iC053540	TR	2SC535 A,B,C	
Q506	iC260320	TR	2SC2603 E,F	

* New Parts

Schm Ref.	PART NO.	Description		
Q507	iC260320	TR	2SC2603 E,F	
Q508	iC224030	TR	2SC2240 GR,BL	
Q509	iC224030	TR	2SC2240 GR,BL	
R501	HL314330	R.MTL.OXD	33 Ω	1W
R502	VK583400	R.MTL.CHP	1M Ω	1/10W
R511	Vi197400	R.MTL.CHP	10K Ω	1/10W
R512	Vi197400	R.MTL.CHP	10K Ω	1/10W
R513	Vi197400	R.MTL.CHP	10K Ω	1/10W
R514	Vi197000	R.MTL.CHP	6.8K Ω	1/10W
R515	Vi195700	R.MTL.CHP	2.2K Ω	1/10W
R516	Vi195700	R.MTL.CHP	2.2K Ω	1/10W
R517	Vi197000	R.MTL.CHP	6.8K Ω	1/10W
R518	Vi197000	R.MTL.CHP	6.8K Ω	1/10W
R519	Vi195700	R.MTL.CHP	2.2K Ω	1/10W
R520	Vi195700	R.MTL.CHP	2.2K Ω	1/10W
R521	Vi197000	R.MTL.CHP	6.8K Ω	1/10W
R528	Vi197400	R.MTL.CHP	10K Ω	1/10W
R529	Vi195900	R.MTL.CHP	2.7K Ω	1/10W
R530	Vi195900	R.MTL.CHP	2.7K Ω	1/10W
R531	Vi197400	R.MTL.CHP	10K Ω	1/10W
R532	Vi197400	R.MTL.CHP	10K Ω	1/10W
R534	Vi197500	R.MTL.CHP	11K Ω	1/10W
R535	Vi197500	R.MTL.CHP	11K Ω	1/10W
R536	Vi197500	R.MTL.CHP	11K Ω	1/10W
R537	Vi200000	R.MTL.CHP	100K Ω	1/10W
R538	Vi200000	R.MTL.CHP	100K Ω	1/10W
R539	Vi197500	R.MTL.CHP	11K Ω	1/10W
R540	Vi197500	R.MTL.CHP	11K Ω	1/10W
R541	Vi197500	R.MTL.CHP	11K Ω	1/10W
R542	Vi197500	R.MTL.CHP	11K Ω	1/10W
R543	Vi197500	R.MTL.CHP	11K Ω	1/10W
R544	Vi197500	R.MTL.CHP	11K Ω	1/10W
R545	Vi200000	R.MTL.CHP	100K Ω	1/10W
R546	Vi200000	R.MTL.CHP	100K Ω	1/10W
R547	Vi197500	R.MTL.CHP	11K Ω	1/10W
R548	Vi197500	R.MTL.CHP	11K Ω	1/10W
R549	Vi197500	R.MTL.CHP	11K Ω	1/10W
R552	Vi196400	R.MTL.CHP	3.9K Ω	1/10W
R555	VK582600	R.MTL.CHP	470K Ω	1/10W
R556	Vi197200	R.MTL.CHP	8.2K Ω	1/10W
R557	Vi197400	R.MTL.CHP	10K Ω	1/10W
R558	Vi195900	R.MTL.CHP	2.7K Ω	1/10W
R559	Vi197400	R.MTL.CHP	10K Ω	1/10W
R560	Vi200000	R.MTL.CHP	100K Ω	1/10W
R561	Vi197400	R.MTL.CHP	10K Ω	1/10W
R562	Vi200000	R.MTL.CHP	100K Ω	1/10W
R563	Vi195900	R.MTL.CHP	2.7K Ω	1/10W
R564	Vi196400	R.MTL.CHP	3.9K Ω	1/10W
R565	RD253220	R.CAR.CHP	2.2 Ω	1/10W
R566	Vi197400	R.MTL.CHP	10K Ω	1/10W
R567	Vi197600	R.MTL.CHP	12K Ω	1/10W
R568	Vi196800	R.MTL.CHP	5.6K Ω	1/10W
R569	Vi196800	R.MTL.CHP	5.6K Ω	1/10W

* New Parts

RX-V1070 DSP & TUNER P. C. B.

RX-V1070/V870

Schm Ref.	PART NO.	Description		
R570	Vi197600	R.MTL.CHP	12KΩ	1/10W
R575	Vi195300	R.MTL.CHP	1.5KΩ	1/10W
R576	Vi195300	R.MTL.CHP	1.5KΩ	1/10W
R579	Vi196100	R.MTL.CHP	3.3KΩ	1/10W
R581	VK582600	R.MTL.CHP	470KΩ	1/10W
R582	VK582600	R.MTL.CHP	470KΩ	1/10W
R584	Vi196100	R.MTL.CHP	3.3KΩ	1/10W
R586	Vi193300	R.MTL.CHP	220Ω	1/10W
R600	HV454330	R.CAR.FP	33Ω	1/4W
R602	HV454330	R.CAR.FP	33Ω	1/4W
R604	HV454330	R.CAR.FP	33Ω	1/4W
R605	Vi197400	R.MTL.CHP	10KΩ	1/10W
R606	Vi200000	R.MTL.CHP	100KΩ	1/10W
R608	Vi197400	R.MTL.CHP	10KΩ	1/10W
R609	Vi198200	R.MTL.CHP	22KΩ	1/10W
R611	Vi194100	R.MTL.CHP	470Ω	1/10W
R613	Vi194100	R.MTL.CHP	470Ω	1/10W
R616	Vi196600	R.MTL.CHP	4.7KΩ	1/10W
R617	VK582600	R.MTL.CHP	470KΩ	1/10W
* R618	VK581800	R.MTL.CHP	220KΩ	1/10W
R621	HV455150	R.CAR.FP	150Ω	1/4W
R633	HV455120	R.CAR.FP	120Ω	1/4W
R641	Vi197800	R.MTL.CHP	15KΩ	1/10W
R642	Vi197400	R.MTL.CHP	10KΩ	1/10W
R645	Vi197400	R.MTL.CHP	10KΩ	1/10W
R647	Vi192500	R.MTL.CHP	100Ω	1/10W
R650	Vi197400	R.MTL.CHP	10KΩ	1/10W
R651	Vi197400	R.MTL.CHP	10KΩ	1/10W
R652	HV454220	R.CAR.FP	22Ω	1/4W
R653	HV454220	R.CAR.FP	22Ω	1/4W
R654	Vi197400	R.MTL.CHP	10KΩ	1/10W
SW501	KA401690	SW.SLIDE	SSJ-312	
* V501	VP628400	LCD	LCD8245B1JP	
XL501	VK175200	RSNR.CE	11.28MHz	
XL502	VD980900	RSNR.CRYS	14.3181MHz	
XL502	VF066800	RSNR.CRYS	17.7344MHz	
	VG729700	LAMP	115mA	14.5V
	VB966900	CN	IMSA-6024	
	Vi435400	GND.MTL		
	VG433100	REFLC	LCD	
	VG433300	SHEET	LCD	
	VF444500	CAP.LAMP	AG-4015	
	VG650400	RING		
	CB605620	PLST.RIVET	No.1781	
*	VP636900	P.C.B.	TUNER (UC)	
*	VP637000	P.C.B.	TUNER (R)	
*	VP637100	P.C.B.	TUNER (A)	
CB1	VD004600	CN.BS.PIN	PH i-TYPE	3P TE
CB2	VD004900	CN.BS.PIN	PH i-TYPE	6P TE
CB3	VD005000	CN.BS.PIN	PH i-TYPE	7P TE

* New Parts

Schm Ref.	PART NO.	Description		
C1	Vi842800	C.EL	330uF	16V
C2	VG280100	C.CE.TUBLR	0.022uF	25V
C3	VJ599000	C.CE.TUBLR	0.047uF	16V
C4	Vi845900	C.EL	10uF	63V
C5	VF467300	C.CE.TUBLR	0.01uF	16V
C6	Vi842600	C.EL	100uF	16V
C7	Vi844900	C.EL	1uF	50V
C8	VF467300	C.CE.TUBLR	0.01uF	16V
C9	VF467300	C.CE.TUBLR	0.01uF	16V
C10	VF467300	C.CE.TUBLR	0.01uF	16V
C11	VF467000	C.CE.TUBLR	1000pF	50V
C12	Vi845900	C.EL	10uF	63V
C13	Vi845900	C.EL	10uF	63V
C14	VF467000	C.CE.TUBLR	1000pF	50V
C15	VF467000	C.CE.TUBLR	1000pF	50V
C16	VF466700	C.CE.TUBLR	47pF	50V
C17	Vi842600	C.EL	100uF	16V
C18	UA655100	C.MYLAR	0.1uF	50V
C19	VA761200	C.CE	33pF	50V
C20	Vi845900	C.EL	10uF	63V
C21	VF466800	C.CE.TUBLR	100pF	50V
C22	Vi845000	C.EL	2.2uF	50V
C23	VF467300	C.CE.TUBLR	0.01uF	16V
C24	Vi845200	C.EL	4.7uF	50V
C25	Vi845100	C.EL	3.3uF	50V
C26	Vi845900	C.EL	10uF	63V
C27	VF467300	C.CE.TUBLR	0.01uF	16V
C28	VA761200	C.CE	33pF	50V
C29	Vi844900	C.EL	1uF	50V
C30	Vi844900	C.EL	1uF	50V
C31	Vi845900	C.EL	10uF	63V
C32	Vi844800	C.EL	0.47uF	50V
C33	Vi844900	C.EL	1uF	50V
C34	UA654470	C.MYLAR	0.047uF	50V
C35	VD916400	C.EL	2.2uF	50V
C36	UT452470	C.PP	470pF	100V
C36	UT452680	C.PP	680pF	100V
C37	UT452470	C.PP	470pF	100V
C37	UT452680	C.PP	680pF	100V
C38	VF466900	C.CE.TUBLR	470pF	50V
C39	Vi845900	C.EL	10uF	63V
C40	Vi844900	C.EL	1uF	50V
C41	UA653270	C.MYLAR	2700pF	50V
C42	Vi845900	C.EL	10uF	63V
C43	UA653270	C.MYLAR	2700pF	50V
C44	Vi844900	C.EL	1uF	50V
C45	UA653100	C.MYLAR	1000pF	50V
C46	UA653390	C.MYLAR	3900pF	50V
C47	UA653390	C.MYLAR	3900pF	50V
C48	UA653100	C.MYLAR	1000pF	50V
C49	VJ599000	C.CE.TUBLR	0.047uF	16V
D1	iF004600	DIODE	1SS133	
D2	iF004600	DIODE	1SS133	

* New Parts

RX-V1070 TUNER & OPERATION P. C. B.

Schm Ref.	PART NO.	Description
Fi1	GG000560	FLTR.CE SFE10.7MS3GHY-A
Fi2	GG000560	FLTR.CE SFE10.7MS3GHY-A
Fi3	VC219000	FLTR.CE SFZ450JL3
IC1	XB760001	IC LA1266
IC2	XB818A00	IC LM7000N
IC3	ig158100	IC LA3401
L1	Vi546100	COIL 220uH
L2	Vi546100	COIL 220uH
L3	Vi546100	COIL 220uH
L4	GE901850	COIL 39mH
L5	GE901850	COIL 39mH
PK1	VK208500	TUNER.PK TFFG1U145A
PK2	Vi027300	COIL.AM
Q1	VB433300	TR 2SC1809 M,N,P
Q2	VC218900	TR 2SC3330 R,S,T
Q3	VC218900	TR 2SC3330 R,S,T
Q4	VB433300	TR 2SC1809 M,N,P
Q5	VC218700	TR 2SA1317 R,S,T
Q6	VC218900	TR 2SC3330 R,S,T
SW1	VF541200	SW.SLIDE SSSF11
T1	VC218600	COIL.DT.FM 10.7MHz
T2	GE100470	COIL.IF.AM 450KHz
TE1	LA005800	TERM.ANT YKD31-0215
VR1	VJ694000	VR.TRIM B47KΩ
VR2	VJ694000	VR.TRIM B47KΩ
XL1	QU003800	RSNR.CRYS 7.2MHz
XL2	GG000750	RSNR.CE 18.95MHz
	BB071360	SCR.TERM 8.3x13
*	VF636400	P.C.B. OPERATION
C351	VJ599100	C.CE.TUBLR 0.1uF 50V
C352	VF466900	C.CE.TUBLR 470pF 50V
C353	VF466900	C.CE.TUBLR 470pF 50V
C354	VJ599100	C.CE.TUBLR 0.1uF 50V
C355	VJ599100	C.CE.TUBLR 0.1uF 50V
D351	VF402500	LED SLR-34DC3H3 (or)
D352	VF402500	LED SLR-34DC3H3 (or)
D353	VF402500	LED SLR-34DC3H3 (or)
D354	VF402500	LED SLR-34DC3H3 (or)
D355	VF402500	LED SLR-34DC3H3 (or)
D356	VF402500	LED SLR-34DC3H3 (or)
D357	VF402500	LED SLR-34DC3H3 (or)
D358	VF402500	LED SLR-34DC3H3 (or)
D359	iF004600	DIODE 1SS133
D360	iF004600	DIODE 1SS133
D361	iF004600	DIODE 1SS133
D362	iF004600	DIODE 1SS133
D363	iF004600	DIODE 1SS133
IC351	iR013820	IC uPD74HC138C
PJ351	VK219200	JACK.PIN 3P
SW351	KA906380	SW.PUSH

* New Parts

Schm Ref.	PART NO.	Description
SW352	KA906380	SW.PUSH
SW353	KA906380	SW.PUSH
SW354	KA906380	SW.PUSH
SW355	KA906380	SW.PUSH
SW356	KA906380	SW.PUSH
SW357	KA906380	SW.PUSH
SW358	KA906380	SW.PUSH
SW359	KA906380	SW.PUSH
SW360	KA906380	SW.PUSH
SW361	KA906380	SW.PUSH
SW362	KA906380	SW.PUSH
SW363	KA906380	SW.PUSH
SW364	KA906380	SW.PUSH
SW365	KA906380	SW.PUSH
SW366	KA906380	SW.PUSH
SW367	KA906380	SW.PUSH
SW368	KA906380	SW.PUSH
SW369	KA906380	SW.PUSH
SW370	KA906380	SW.PUSH
SW371	KA906380	SW.PUSH
SW372	KA906380	SW.PUSH
SW373	KA906380	SW.PUSH
SW374	KA906380	SW.PUSH
SW375	KA906380	SW.PUSH
SW376	KA906380	SW.PUSH
SW377	KA906380	SW.PUSH
SW378	KA906380	SW.PUSH
SW379	KA906380	SW.PUSH
SW380	KA906380	SW.PUSH
SW381	KA906380	SW.PUSH
SW382	KA906380	SW.PUSH
SW383	KA906380	SW.PUSH
SW384	KA906380	SW.PUSH
SW385	KA906380	SW.PUSH
SW386	KA906380	SW.PUSH
SW387	KA906380	SW.PUSH
SW388	KA906380	SW.PUSH
SW389	KA906380	SW.PUSH
SW390	KA906380	SW.PUSH
SW391	KA906380	SW.PUSH
U351	VF926500	L.DTCT GP1U501X
	Ei330086	SCR.BND.HD 3x8 FCRM3-BL

* New Parts

RX-V1070/V870

RX-V870 MAIN P. C. B.

RX-V1070/V870

Schm Ref.	PART NO.	Description			
*	VP640100	P. C. B.	MAIN (U)		
*	VP640200	P. C. B.	MAIN (C)		
*	VP640300	P. C. B.	MAIN (R)		
*	VP640400	P. C. B.	MAIN (A)		
	CB101	VD005200	CN. BS. PIN	PH i-TYPE	9P TE
	CB102	VD004500	CN. BS. PIN	PH i-TYPE	2P TE
	CB103	VD004600	CN. BS. PIN	PH i-TYPE	3P TE
	CB104	VD004700	CN. BS. PIN	PH i-TYPE	4P TE
	CB105	VD004800	CN. BS. PIN	PH i-TYPE	5P TE
	CB106	VD004900	CN. BS. PIN	PH i-TYPE	6P TE
	CB107	VL844700	CN. BS. PIN	XH	3P TE
	CB108	VL844800	CN. BS. PIN	XH	4P TE
	CB109	VL844700	CN. BS. PIN	XH	3P TE
	CB110	VL844900	CN. BS. PIN	XH i-TYPE	5P TE
	CB111	VL844700	CN. BS. PIN	XH	3P TE
	CB113	LB201880	HOLDER. FUS	PC-FH1	
	CB114	LB201880	HOLDER. FUS	PC-FH1	
	CB115	LB201880	HOLDER. FUS	PC-FH1	
	CB116	LB201880	HOLDER. FUS	PC-FH1	
	CB117	LB201880	HOLDER. FUS	PC-FH1	
	CB118	LB201880	HOLDER. FUS	PC-FH1	
	CB119	LB201880	HOLDER. FUS	PC-FH1	
	CB120	LB201880	HOLDER. FUS	PC-FH1	
	C101	Fi514100	C. CE. SAFTY	0.01uF	VA-1
	C102	VK181000	C. EL	1000uF	25V
	C102	VK206300	C. EL	820uF	25V
*	C102	VP795900	C. EL	680uF	25V
	C103	Vi846200	C. EL	47uF	63V
	C104	Vi846000	C. EL	22uF	63V
	C105	Vi845600	C. EL	47uF	50V
	C106	Vi845600	C. EL	47uF	50V
	C107	Vi845900	C. EL	10uF	63V
	C108	Vi844600	C. EL	0.22uF	50V
	C109	VF466800	C. CE. TUBLR	100pF	50V
	C110	VF466800	C. CE. TUBLR	100pF	50V
	C111	VF466800	C. CE. TUBLR	100pF	50V
	C112	VF466800	C. CE. TUBLR	100pF	50V
	C113	VF466800	C. CE. TUBLR	100pF	50V
	C114	VF466800	C. CE. TUBLR	100pF	50V
	C115	Vi862200	C. POLY	0.1uF	100V
	C116	Vi862200	C. POLY	0.1uF	100V
	C117	UA654100	C. MYLAR	0.01uF	50V
	C118	Vi862200	C. POLY	0.1uF	100V
	C119	Vi862200	C. POLY	0.1uF	100V
*	C120	VQ067300	C. EL	6800uF	25V
*	C121	VP979700	C. EL	1800uF	25V
	C122	VK186000	C. EL	10000uF	63V
	C123	VK186000	C. EL	10000uF	63V
	C124	VK185900	C. EL	3300uF	45V
	C125	VK185900	C. EL	3300uF	45V
	C126	Vi843600	C. EL	220uF	25V
	C127	Vi843600	C. EL	220uF	25V
	C128	Vi845900	C. EL	10uF	63V

* New Parts

Schm Ref.	PART NO.	Description			
	C129	Vi845900	C. EL	10uF	63V
	C130	VE551900	C. CE	100pF	50V
	C131	Vi846200	C. EL	47uF	63V
	C133	Vi845900	C. EL	10uF	63V
	C134	VE551900	C. CE	100pF	50V
	C135	Vi846200	C. EL	47uF	63V
	C136	Vi845900	C. EL	10uF	63V
	C137	Vi845900	C. EL	10uF	63V
	C138	VE551900	C. CE	100pF	50V
	C139	Vi846200	C. EL	47uF	63V
	C140	VK439400	C. CE	15pF	500V
	C141	Vi845600	C. EL	47uF	50V
	C142	Vi841800	C. EL	100uF	10V
	C143	VK440400	C. CE	100pF	500V
	C144	UA653100	C. MYLAR	1000pF	50V
	C145	VK439400	C. CE	15pF	500V
	C146	Vi845600	C. EL	47uF	50V
	C147	Vi841800	C. EL	100uF	10V
	C148	VK440400	C. CE	100pF	500V
	C149	UA653100	C. MYLAR	1000pF	50V
	C150	VK439400	C. CE	15pF	500V
	C151	Vi845600	C. EL	47uF	50V
	C152	Vi841800	C. EL	100uF	10V
	C153	VK440400	C. CE	100pF	500V
	C154	UA653100	C. MYLAR	1000pF	50V
	C155	Vi845600	C. EL	47uF	50V
	C156	VK440400	C. CE	100pF	500V
	C157	VK440400	C. CE	100pF	500V
	C158	VK440400	C. CE	100pF	500V
	C159	VK440400	C. CE	100pF	500V
	C160	VK440400	C. CE	100pF	500V
	C161	VK440400	C. CE	100pF	500V
	C162	Vi844900	C. EL	1uF	50V
	C163	UA654470	C. MYLAR	0.047uF	50V
	C164	UA654470	C. MYLAR	0.047uF	50V
	C165	UA654470	C. MYLAR	0.047uF	50V
	C166	Vi842600	C. EL	100uF	16V
	C167	Vi845600	C. EL	47uF	50V
	C168	Vi845600	C. EL	47uF	50V
	C169	Vi845600	C. EL	47uF	50V
	C170	FG212470	C. CE	470pF	50V
	C171	FG212470	C. CE	470pF	50V
	C172	FG212220	C. CE	220pF	50V
	C173	FG212220	C. CE	220pF	50V
	C174	Vi842600	C. EL	100uF	16V
	C175	Vi842600	C. EL	100uF	16V
	C176	Vi844900	C. EL	1uF	50V
	C177	Vi844900	C. EL	1uF	50V
	C178	FG210700	C. CE	7pF	50V
	C179	FG210700	C. CE	7pF	50V
	C180	Vi845600	C. EL	47uF	50V
	C181	Vi845600	C. EL	47uF	50V
	C182	UA654470	C. MYLAR	0.047uF	50V

* New Parts

RX-V870 MAIN P. C. B.

Schm Ref.	PART NO.	Description		
C183	UA654470	C.MYLAR	0.047uF	50V
C184	UG444100	C.CE	0.01uF	50V
C185	UG444100	C.CE	0.01uF	50V
C186	UG444100	C.CE	0.01uF	50V
C187	UG444100	C.CE	0.01uF	50V
C188	UG444100	C.CE	0.01uF	50V
C189	VF466800	C.CE.TUBLR	100pF	50V
C190	VF466800	C.CE.TUBLR	100pF	50V
C191	Vi845000	C.EL	2.2uF	50V
C192	Vi845000	C.EL	2.2uF	50V
C193	VD930900	C.CE.SMI	0.1uF	25V
C194	Vi862200	C.POLY	0.1uF	100V
C195	Vi862200	C.POLY	0.1uF	100V
C196	Vi862200	C.POLY	0.1uF	100V
D101	VH770800	DIODE	1SR139-100	T-32
D102	VG440300	DIODE.ZENR	MTZJ12C	12V
D103	iF004600	DIODE	1SS133	
D104	iF004600	DIODE	1SS133	
D105	VG438400	DIODE.ZENR	MTZJ6.8C	6.8V
D106	iF004600	DIODE	1SS133	
D107	iH001130	DIODE.BRG	D5FB20	
D108	VH770800	DIODE	1SR139-100	T-32
D109	VH770800	DIODE	1SR139-100	T-32
D110	VH770800	DIODE	1SR139-100	T-32
D111	VH770800	DIODE	1SR139-100	T-32
D112	VH348200	DIODE.BRG	RBV-402	LF-A
D113	iF004600	DIODE	1SS133	
D114	iF004600	DIODE	1SS133	
D115	iF004600	DIODE	1SS133	
D117	iF004600	DIODE	1SS133	
D118	iF004600	DIODE	1SS133	
D119	iF004600	DIODE	1SS133	
D121	iF004600	DIODE	1SS133	
D122	iF004600	DIODE	1SS133	
D123	iF004600	DIODE	1SS133	
D125	iF004600	DIODE	1SS133	
D126	iF004600	DIODE	1SS133	
D127	iF004600	DIODE	1SS133	
D128	iF004600	DIODE	1SS133	
D129	iF004600	DIODE	1SS133	
D130	iF004600	DIODE	1SS133	
D131	iF004600	DIODE	1SS133	
D132	iF004600	DIODE	1SS133	
D133	iF004600	DIODE	1SS133	
D134	iF004600	DIODE	1SS133	
D135	iF004600	DIODE	1SS133	
D136	iF004600	DIODE	1SS133	
F101	KB000790	FUSE	T4A	250V
F101	KB001300	FUSE	T7A	250V
F101	Vi721000	FUSE	8A	250V
F102	KB000370	FUSE	T3.5A	250V
F103	KB003100	FUSE	T4A	250V
F103	KB003210	FUSE	T6A	125V

* New Parts

Schm Ref.	PART NO.	Description		
F104	KB003100	FUSE	T4A	250V
F104	KB003210	FUSE	T6A	125V
IC101	iG157200	IC	AN78L05	
IC102	XJ608A00	IC	NJM7812FA	
IC103	XD342A00	IC	AN79M12F	
IC104	XA330A00	IC	TK4141V	
JK101	VF227900	JACK.PHONE	M1659-AHAA	
JK102	LB608170	AC OUTLET	3P	
L102	VC664100	COIL	0.95uH	
L103	VC664100	COIL	0.95uH	
L104	VC664100	COIL	0.95uH	
* L105	VP964900	COIL	1uH	
* L106	VP964900	COIL	1uH	
PJ101	VJ715400	JACK.PIN	4P	
PJ102	VJ133600	JACK.PIN	2P	
PJ103	Vi205900	JACK.PIN	2P	
Q103	VD488500	TR.DGT	DTC143XS	
Q104	iA111510	TR	2SA1115 E,F	
Q105	iC260320	TR	2SC2603 E,F	
Q106	iC260320	TR	2SC2603 E,F	
Q107	iC287820	TR	2SC2878 A,B	
Q108	iC287820	TR	2SC2878 A,B	
Q109	iC287820	TR	2SC2878 A,B	
Q110	iC287820	TR	2SC2878 A,B	
Q111	iC287820	TR	2SC2878 A,B	
Q112	iC287820	TR	2SC2878 A,B	
Q113	iA097000	TR	2SA970 GR,BL	
Q114	iC1815C0	TR	2SC1815 Y	
Q115	iA097000	TR	2SA970 GR,BL	
Q116	iC1815C0	TR	2SC1815 Y	
Q117	iA097000	TR	2SA970 GR,BL	
Q118	iC1815C0	TR	2SC1815 Y	
Q119	VE198700	TR	2SA1145 O,Y	
Q120	iA097000	TR	2SA970 GR,BL	
Q121	VE198800	TR	2SC2705 O,Y	
Q122	iC1815C0	TR	2SC1815 Y	
Q123	VE198700	TR	2SA1145 O,Y	
Q124	iA097000	TR	2SA970 GR,BL	
Q125	VE198800	TR	2SC2705 O,Y	
Q126	iC1815C0	TR	2SC1815 Y	
Q127	VE198700	TR	2SA1145 O,Y	
Q128	iA097000	TR	2SA970 GR,BL	
Q129	VE198800	TR	2SC2705 O,Y	
Q130	iC1815C0	TR	2SC1815 Y	
Q131	VE198800	TR	2SC2705 O,Y	
Q132A	iX603580	TR	2SA1358	
Q132C	iX603590	TR	2SC3421	
Q133	iC224000	TR	2SC2240 GR,BL	
Q134	VE198700	TR	2SA1145 O,Y	
Q136	VE198800	TR	2SC2705 O,Y	
Q137A	iX603580	TR	2SA1358	
Q137C	iX603590	TR	2SC3421	
Q138	iC224000	TR	2SC2240 GR,BL	

* New Parts

RX-V870 MAIN P. C. B.

RX-V1070/V870

Schm Ref.	PART NO.	Description	
Q139	VE198700	TR	2SA1145 O,Y
Q141	VE198800	TR	2SC2705 O,Y
Q142A	iX603580	TR	2SA1358
Q142C	iX603590	TR	2SC3421
Q143	iC224000	TR	2SC2240 GR,BL
Q144	VE198700	TR	2SA1145 O,Y
Q146	iC260320	TR	2SC2603 E,F
Q147	iC260320	TR	2SC2603 E,F
# Q148	iX606470	TR	2SC3856 O,P,Y
# Q149	iC224030	TR	2SC2240 GR,BL
# Q150	iX606460	TR	2SA1492 O,Y
# Q151	iX606470	TR	2SC3856 O,P,Y
# Q152	iC224030	TR	2SC2240 GR,BL
# Q153	iX606460	TR	2SA1492 O,Y
# Q154	iX606470	TR	2SC3856 O,P,Y
# Q155	iC224030	TR	2SC2240 GR,BL
# Q156	iX606460	TR	2SA1492 O,Y
Q157	iA097000	TR	2SA970 GR,BL
Q158	VD488500	TR.DGT	DTC143XS
Q159	VD488500	TR.DGT	DTC143XS
Q160	VD488500	TR.DGT	DTC143XS
Q161	iC260320	TR	2SC2603 E,F
Q162	iC260320	TR	2SC2603 E,F
Q163	iC1815C0	TR	2SC1815 Y
Q164	iC1815C0	TR	2SC1815 Y
Q165	iC1815C0	TR	2SC1815 Y
Q166	VC938500	TR	2SC3852
R101	HG309220	R.CAR	2.2MΩ 1/2W(UC)
R102	HV456470	R.CAR.FP	4.7KΩ 1/4W
R103	HV456470	R.CAR.FP	4.7KΩ 1/4W
R137	VG875900	R.MTL.OXD	0.1Ω 1W
R138	VG875900	R.MTL.OXD	0.1Ω 1W
R139	HL314390	R.MTL.OXD	39Ω 1W
R141	HV453100	R.CAR.FP	1Ω 1/4W
R142	HV453220	R.CAR.FP	2.2Ω 1/4W
R147	HV455220	R.CAR.FP	220Ω 1/4W
R152	HV455220	R.CAR.FP	220Ω 1/4W
R157	HV455220	R.CAR.FP	220Ω 1/4W
R158	HV455150	R.CAR.FP	150Ω 1/4W
R166	HV455100	R.CAR.FP	100Ω 1/4W
R167	HV455680	R.CAR.FP	680Ω 1/4W
R168	HV455220	R.CAR.FP	220Ω 1/4W
R169	HV455150	R.CAR.FP	150Ω 1/4W
R177	HV455100	R.CAR.FP	100Ω 1/4W
R178	HV455680	R.CAR.FP	680Ω 1/4W
R179	HV455220	R.CAR.FP	220Ω 1/4W
R180	HV455150	R.CAR.FP	150Ω 1/4W
R188	HV455100	R.CAR.FP	100Ω 1/4W
R189	HV455680	R.CAR.FP	680Ω 1/4W
R190	HV455220	R.CAR.FP	220Ω 1/4W
R194	VK189500	R.FUS	3.3KΩ 1/4W
R195	VK189000	R.FUS	1KΩ 1/4W
R196	VK188400	R.FUS	330Ω 1/4W

* New Parts

Schm Ref.	PART NO.	Description	
R197	VK188700	R.FUS	560Ω 1/4W
R198	VK186600	R.FUS	10Ω 1/4W
R199	HV454470	R.CAR.FP	47Ω 1/4W
R200	VK189500	R.FUS	3.3KΩ 1/4W
R201	VK189000	R.FUS	1KΩ 1/4W
R202	VK188400	R.FUS	330Ω 1/4W
R203	VK188700	R.FUS	560Ω 1/4W
R204	VK186600	R.FUS	10Ω 1/4W
R205	HV454470	R.CAR.FP	47Ω 1/4W
R206	VK189500	R.FUS	3.3KΩ 1/4W
R207	VK189000	R.FUS	1KΩ 1/4W
R208	VK188400	R.FUS	330Ω 1/4W
R209	VK188700	R.FUS	560Ω 1/4W
R210	VK186600	R.FUS	10Ω 1/4W
R211	HV454470	R.CAR.FP	47Ω 1/4W
R218	HV456470	R.CAR.FP	4.7KΩ 1/4W
R219	HV456100	R.CAR.FP	1KΩ 1/4W
R220	VJ787600	R.MTL.PLAT	0.22Ω+0.22 5W
R221	VK186600	R.FUS	10Ω 1/4W
R222	HV453470	R.CAR.FP	4.7Ω 1/4W
R223	HV456470	R.CAR.FP	4.7KΩ 1/4W
R224	HV456100	R.CAR.FP	1KΩ 1/4W
R225	VJ787600	R.MTL.PLAT	0.22Ω+0.22 5W
R226	VK186600	R.FUS	10Ω 1/4W
R227	HV453470	R.CAR.FP	4.7Ω 1/4W
R228	HV456470	R.CAR.FP	4.7KΩ 1/4W
R229	HV456100	R.CAR.FP	1KΩ 1/4W
R230	VJ787600	R.MTL.PLAT	0.22Ω+0.22 5W
R231	VK186600	R.FUS	10Ω 1/4W
R232	HV453470	R.CAR.FP	4.7Ω 1/4W
R241	HV455220	R.CAR.FP	220Ω 1/4W
R242	HV455220	R.CAR.FP	220Ω 1/4W
R244	HV455220	R.CAR.FP	220Ω 1/4W
R245	HV455220	R.CAR.FP	220Ω 1/4W
R246	HV453470	R.CAR.FP	4.7Ω 1/4W
R247	HV453470	R.CAR.FP	4.7Ω 1/4W
R248	HL325390	R.MTL.OXD	390Ω 2W
R249	HL325390	R.MTL.OXD	390Ω 2W
R260	HV456220	R.CAR.FP	2.2KΩ 1/4W
R261	HV453470	R.CAR.FP	4.7Ω 1/4W
R262	HV456220	R.CAR.FP	2.2KΩ 1/4W
R263	HV456220	R.CAR.FP	2.2KΩ 1/4W
R264	HV453470	R.CAR.FP	4.7Ω 1/4W
R265	HV456220	R.CAR.FP	2.2KΩ 1/4W
R266	HV454470	R.CAR.FP	47Ω 1/4W
R267	HV453220	R.CAR.FP	2.2Ω 1/4W
R268	VK189600	R.MTL.OXD	0.1Ω 1W
R269	HV456470	R.CAR.FP	4.7KΩ 1/4W
R270	HV455220	R.CAR.FP	220Ω 1/4W
R271	HV455220	R.CAR.FP	220Ω 1/4W
R274	HV456470	R.CAR.FP	4.7KΩ 1/4W
R275	VK189600	R.MTL.OXD	0.1Ω 1W
R280	HV453470	R.CAR.FP	4.7Ω 1/4W

* New Parts

RX-V870 MAIN & INPUT P. C. B.

Schm Ref.	PART NO.	Description		
R281	HV453470	R.CAR.FP	4.7Ω	1/4W
R282	HV453470	R.CAR.FP	4.7Ω	1/4W
R283	HV453220	R.CAR.FP	2.2Ω	1/4W
R284	HV453220	R.CAR.FP	2.2Ω	1/4W
R285	HV453220	R.CAR.FP	2.2Ω	1/4W
R286	HV453220	R.CAR.FP	2.2Ω	1/4W
R287	HV453220	R.CAR.FP	2.2Ω	1/4W
RY101	VD506000	RELAY	AC DG12D1-0 (M)	
RY101	VK539200	RELAY	DC DH12D1-0M	
RY102	KC001940	RELAY	DH24D2-OTM	
RY103	VK438300	RELAY	DH24D2-OTM-II	
RY104	VK438300	RELAY	DH24D2-OTM-II	
* SW101	VP741600	SW.PUSH	SPUN24-2	
SW102	VJ769200	SW.SLIDE	ESD-2764	
T101	Xi085A00	TRANS.PWR	(UC)	
T101	Xi087A00	TRANS.PWR	(A)	
T101	Xi790A00	TRANS.PWR	(R)	
TE101	VJ792600	TERM.SP	8P	
TE102	VJ792600	TERM.SP	8P	
TE103	LA003870	TERM.WRAP	2P L-TYPE	P=10
TE104	LA002140	TERM.WRAP	2P i-TYPE	P=10
TE105	LA002140	TERM.WRAP	2P i-TYPE	P=10
TE106	LA002320	TERM.WRAP	3P i-TYPE	P=7.5
TE107	LA002320	TERM.WRAP	3P i-TYPE	P=7.5
TE108	LA002320	TERM.WRAP	3P i-TYPE	P=7.5
VR101	VJ692700	VR.TRIM	B330Ω	
VR102	VJ692700	VR.TRIM	B330Ω	
VR103	VJ692700	VR.TRIM	B330Ω	
* VP640500	P.C.B.	INPUT (UC)		
* VP640600	P.C.B.	INPUT (R)		
* VP640700	P.C.B.	INPUT (A)		
CB703	VD004600	CN.BS.PIN	PH i-TYPE	3P TE
CB704	LB918020	CN.BS.PIN	XH i-TYPE	2P TE
CB705	VD004800	CN.BS.PIN	PH i-TYPE	5P TE
CB706	VD004600	CN.BS.PIN	PH i-TYPE	3P TE
CB707	VD004700	CN.BS.PIN	PH i-TYPE	4P TE
CB708	VD005000	CN.BS.PIN	PH i-TYPE	7P TE
CB709	VD004700	CN.BS.PIN	PH i-TYPE	4P TE
CB710	VD005000	CN.BS.PIN	PH i-TYPE	7P TE
CB711	VD004600	CN.BS.PIN	PH i-TYPE	3P TE
CB712	VD005000	CN.BS.PIN	PH i-TYPE	7P TE
CB713	VD004600	CN.BS.PIN	PH i-TYPE	3P TE
CB714	VD005300	CN.BS.PIN	PH i-TYPE	10P TE
CB715	VD005100	CN.BS.PIN	PH i-TYPE	8P TE
CB716	VD004800	CN.BS.PIN	PH i-TYPE	5P TE
C701	Vi844900	C.EL	1uF	50V
C702	FG212220	C.CE	220pF	50V
C703	FG212220	C.CE	220pF	50V
C704	Vi844900	C.EL	1uF	50V
C705	VG280100	C.CE.TUBLR	0.022uF	25V

* New Parts

Schm Ref.	PART NO.	Description		
C706	VF466900	C.CE.TUBLR	470pF	50V
C707	VF466900	C.CE.TUBLR	470pF	50V
C708	VF466900	C.CE.TUBLR	470pF	50V
C709	VF466900	C.CE.TUBLR	470pF	50V
C710	VF466900	C.CE.TUBLR	470pF	50V
C711	VF466900	C.CE.TUBLR	470pF	50V
C712	VF466900	C.CE.TUBLR	470pF	50V
C713	VF466900	C.CE.TUBLR	470pF	50V
C714	VF466900	C.CE.TUBLR	470pF	50V
C715	VF466900	C.CE.TUBLR	470pF	50V
C716	VF466900	C.CE.TUBLR	470pF	50V
C717	VF466900	C.CE.TUBLR	470pF	50V
C718	VF466900	C.CE.TUBLR	470pF	50V
C719	VF466900	C.CE.TUBLR	470pF	50V
C720	VF466900	C.CE.TUBLR	470pF	50V
C721	VF466900	C.CE.TUBLR	470pF	50V
C723	Vi842400	C.EL	33uF	16V
C724	Vi842400	C.EL	33uF	16V
C725	Vi309200	C.EL	1000uF	10V
C726	Vi842400	C.EL	33uF	16V
C727	Vi309200	C.EL	1000uF	10V
C728	Vi309200	C.EL	1000uF	10V
C729	UA654390	C.MYLAR	0.039uF	50V
C730	UA654110	C.MYLAR	0.011uF	50V
C731	UA653270	C.MYLAR	2700pF	50V
C732	Vi841100	C.EL	220uF	6.3V
C733	Vi842600	C.EL	100uF	16V
C734	Vi841100	C.EL	220uF	6.3V
C735	Vi842600	C.EL	100uF	16V
C736	UA653270	C.MYLAR	2700pF	50V
C737	UA654390	C.MYLAR	0.039uF	50V
C738	UA654110	C.MYLAR	0.011uF	50V
C739	VF467300	C.CE.TUBLR	0.01uF	16V
C740	VF467300	C.CE.TUBLR	0.01uF	16V
C741	VF467300	C.CE.TUBLR	0.01uF	16V
C742	Vi845000	C.EL	2.2uF	50V
C743	Vi845000	C.EL	2.2uF	50V
C744	Vi842400	C.EL	33uF	16V
C745	Vi842400	C.EL	33uF	16V
C746	Vi842400	C.EL	33uF	16V
C747	Vi845900	C.EL	10uF	63V
C748	Vi845900	C.EL	10uF	63V
C749	Vi844900	C.EL	1uF	50V
C750	Vi844900	C.EL	1uF	50V
C751	Vi845900	C.EL	10uF	63V
C752	Vi845900	C.EL	10uF	63V
C753	Vi845900	C.EL	10uF	63V
C754	Vi845900	C.EL	10uF	63V
C755	Vi846000	C.EL	22uF	63V
C756	Vi845600	C.EL	47uF	50V
C757	Vi845600	C.EL	47uF	50V
C758	Vi846000	C.EL	22uF	63V
C759	UG444100	C.CE	0.01uF	50V

* New Parts

RX-V1070/V870

RX-V870 INPUT P. C. B.

RX-V1070/V870

Schm Ref.	PART NO.	Description		
C760	UG444100	C.CE	0.01uF	50V
C761	Vi845900	C.EL	10uF	63V
C762	Vi845900	C.EL	10uF	63V
C763	Vi844900	C.EL	1uF	50V
C764	Vi844900	C.EL	1uF	50V
C765	Vi844900	C.EL	1uF	50V
C766	VG722100	C.EL	1uF	50V
C767	Vi845600	C.EL	47uF	50V
C768	VE551900	C.CE	100pF	50V
C769	Vi845600	C.EL	47uF	50V
C770	Vi845600	C.EL	47uF	50V
C771	VE551900	C.CE	100pF	50V
C772	Vi845600	C.EL	47uF	50V
C773	Vi845600	C.EL	47uF	50V
C774	Vi845600	C.EL	47uF	50V
C775	Vi845600	C.EL	47uF	50V
C776	VE551900	C.CE	100pF	50V
C777	Vi845600	C.EL	47uF	50V
C778	Vi845600	C.EL	47uF	50V
C779	Vi845600	C.EL	47uF	50V
C780	Vi845600	C.EL	47uF	50V
C781	Vi845600	C.EL	47uF	50V
C782	Vi845600	C.EL	47uF	50V
C783	Vi845600	C.EL	47uF	50V
C784	Vi845600	C.EL	47uF	50V
C785	Vi845600	C.EL	47uF	50V
C786	Vi845600	C.EL	47uF	50V
C787	Vi845600	C.EL	47uF	50V
C788	UA655100	C.MYLAR	0.1uF	50V
C789	UA655100	C.MYLAR	0.1uF	50V
C790	VE551500	C.CE	47pF	50V
C791	Vi845100	C.EL	3.3uF	50V
C792	Vi845100	C.EL	3.3uF	50V
C793	VE551500	C.CE	47pF	50V
C794	UA655100	C.MYLAR	0.1uF	50V
C795	UA655100	C.MYLAR	0.1uF	50V
C796	Vi844900	C.EL	1uF	50V
C797	Vi845600	C.EL	47uF	50V
C798	VE551500	C.CE	47pF	50V
C799	VE551500	C.CE	47pF	50V
C800	Vi845600	C.EL	47uF	50V
C801	Vi844900	C.EL	1uF	50V
C802	UA655100	C.MYLAR	0.1uF	50V
C803	UA654220	C.MYLAR	0.022uF	50V
C804	UA654220	C.MYLAR	0.022uF	50V
C805	UA655100	C.MYLAR	0.1uF	50V
C806	Vi845900	C.EL	10uF	63V
C807	Vi844800	C.EL	0.47uF	50V
C808	VJ599100	C.CE.TUBLR	0.1uF	50V
C809	VJ599100	C.CE.TUBLR	0.1uF	50V
C810	VC613700	C.EL	4700uF	5.5V
C811	VF467000	C.CE.TUBLR	1000pF	50V
C812	VF467300	C.CE.TUBLR	0.01uF	16V

* New Parts

Schm Ref.	PART NO.	Description		
C815	FZ005880	C.CE.ML	0.1uF	25V
C816	VF467000	C.CE.TUBLR	1000pF	50V
C817	VF467000	C.CE.TUBLR	1000pF	50V
C818	Vi841800	C.EL	100uF	10V
C819	UG444100	C.CE	0.01uF	50V
C820	Vi844900	C.EL	1uF	50V
D701	iF004600	DIODE	1SS133	
D702	iF004600	DIODE	1SS133	
D703	iF004600	DIODE	1SS133	
D704	iF004600	DIODE	1SS133	
D705	iF004600	DIODE	1SS133	
D706	iF004600	DIODE	1SS133	
D708	iF004600	DIODE	1SS133	
D709	iF004600	DIODE	1SS133	
D710	iF004600	DIODE	1SS133	
D711	iF004600	DIODE	1SS133	
D712	VG436900	DIODE.ZENR	MTZJ4.3C	4.3V
D713	iF004600	DIODE	1SS133	
D714	iF004600	DIODE	1SS133	
IC701	XC520A01	IC	uPC4570C	
IC702	XG732A00	IC	LC7821N	
IC703	XB247301	IC	uPC4570HA	
IC704	iG001770	IC	TC4051BP	
IC705	iG037400	IC	uPD4066BC	
IC706	iG001770	IC	TC4051BP	
IC707	iG001770	IC	TC4051BP	
IC708	iG037400	IC	uPD4066BC	
IC709	Xi487A00	IC	AN78L09	
IC710	Xi488A00	IC	AN79L09	
IC711	XB247301	IC	uPC4570HA	
IC712	XB247301	IC	uPC4570HA	
IC713	XB247301	IC	uPC4570HA	
IC714	XB247301	IC	uPC4570HA	
IC715	XB247301	IC	uPC4570HA	
IC716	XB247301	IC	uPC4570HA	
IC717	XE536001	IC	LC7535	
IC718	XE536001	IC	LC7535	
IC719	iG152500	IC	BA6229	
IC720	XL965A00	IC	HD647323P	
IC720	XL965B00	IC	HD6433238A23P (RA)	
IC721	XJ757A00	IC	NJM78L05A-T3	
IC722	XB247301	IC	uPC4570HA	
IC723	iG001720	IC	TC4069UBP	
IC724	XH436A00	IC	LA7956	
IC725	XH436A00	IC	LA7956	
IC726	XH436A00	IC	LA7956	
IC727	iG037400	IC	uPD4066BC	
IC728	XA070A00	IC	uPD4052BC	
JK701	VJ726800	JACK.MNI		
PJ701	VJ696300	JACK.PIN	4P	
PJ702	VJ696200	JACK.PIN	4P	
PJ703	VJ696400	JACK.PIN	6P	
PJ704	VJ696200	JACK.PIN	4P	

* New Parts

RX-V870 INPUT & DSP P. C. B.

Schm Ref.	PART NO.	Description
PJ705	VJ695900	JACK.PIN 3P
PJ706	VJ695800	JACK.PIN 3P
Q701	iB054430	TR 2SB544 D,E,F,G
Q702	VG722000	TR.DGT DTC144ES
Q703	VD678700	TR.DGT DTC114ES
Q704	VC218700	TR 2SA1317 R,S,T
R728	HV455100	R.CAR.FP 100Ω 1/4W
R741	HV455100	R.CAR.FP 100Ω 1/4W
R751	HV454330	R.CAR.FP 33Ω 1/4W
R753	HV454330	R.CAR.FP 33Ω 1/4W
R755	HV454330	R.CAR.FP 33Ω 1/4W
R761	HV455100	R.CAR.FP 100Ω 1/4W
R766	HV455100	R.CAR.FP 100Ω 1/4W
R767	HV454100	R.CAR.FP 10Ω 1/4W
R768	HV454100	R.CAR.FP 10Ω 1/4W
R824	HV453470	R.CAR.FP 4.7Ω 1/4W
R835	HV454100	R.CAR.FP 10Ω 1/4W
R843	HV453220	R.CAR.FP 2.2Ω 1/4W
R848	VD270100	R.ARRAY 100KΩx8
R851	HV454680	R.CAR.FP 68Ω 1/4W
SW701	VJ769400	SW.PUSH SPUN24 2
SW702	VK175900	SW.RT SRRS17008A
VR701	VJ770700	VR.MTR 100KYΩx5
VR702	VK176500	VR MN30KΩ
VR703	VK176200	VR 16KΩ L=20
VR704	VK176400	VR 20KΩ L=20
XL701	Vi951800	RSNR.CE 20MHz
	VB966900	CN IMSA-6024
*	VP636700	P.C.B. DSP (UC)
*	VP636800	P.C.B. DSP (R)
*	VQ082100	P.C.B. DSP (A)
CB501	VB858700	CN.BS.PIN PH 8P SE
CB502	VD004800	CN.BS.PIN PH i-TYPE 5P TE
CB503	VD005300	CN.BS.PIN PH i-TYPE 10P TE
C501	UB052120	C.CE.M.CHP 120pF 50V
C502	UB052120	C.CE.M.CHP 120pF 50V
C503	UB052120	C.CE.M.CHP 120pF 50V
C504	Vi843600	C.EL 220uF 25V
C505	Vi843600	C.EL 220uF 25V
C506	VD499400	C.CE.M.CHP 0.1uF 25W
C507	Vi845600	C.EL 47uF 50V
C510	Vi845600	C.EL 47uF 50V
C511	VD499400	C.CE.M.CHP 0.1uF 25W
C513	Vi845600	C.EL 47uF 50V
C514	UT653330	C.PP 3300pF 100V
C515	UT653330	C.PP 3300pF 100V
C516	UB052120	C.CE.M.CHP 120pF 50V
C517	UB052120	C.CE.M.CHP 120pF 50V
C518	UB052120	C.CE.M.CHP 120pF 50V
C519	UB052120	C.CE.M.CHP 120pF 50V

* New Parts

Schm Ref.	PART NO.	Description
C520	UB052120	C.CE.M.CHP 120pF 50V
C521	Vi845600	C.EL 47uF 50V
C522	Vi845600	C.EL 47uF 50V
C523	Vi845000	C.EL 2.2uF 50V
C524	Vi845000	C.EL 2.2uF 50V
C525	Vi845600	C.EL 47uF 50V
C526	Vi845600	C.EL 47uF 50V
C527	Vi845600	C.EL 47uF 50V
C528	UB051330	C.CE.M.CHP 33pF 50V
C529	UB052100	C.CE.M.CHP 100pF 50V
C530	UB052100	C.CE.M.CHP 100pF 50V
C531	UB051330	C.CE.M.CHP 33pF 50V
C532	UB051330	C.CE.M.CHP 33pF 50V
C533	UB052100	C.CE.M.CHP 100pF 50V
C534	UB052100	C.CE.M.CHP 100pF 50V
C535	UB051330	C.CE.M.CHP 33pF 50V
C536	VE551900	C.CE 100pF 50V
C537	VE551900	C.CE 100pF 50V
C538	UB052330	C.CE.M.CHP 330pF 50V
C539	Vi845600	C.EL 47uF 50V
C540	Vi845600	C.EL 47uF 50V
C541	UB052330	C.CE.M.CHP 330pF 50V
C542	UB052330	C.CE.M.CHP 330pF 50V
C543	UA655180	C.MYLAR 0.18uF 50V
C544	Vi845600	C.EL 47uF 50V
C545	Vi845600	C.EL 47uF 50V
C546	UA653240	C.MYLAR 2400pF 50V
C547	UA653240	C.MYLAR 2400pF 50V
C548	Vi845600	C.EL 47uF 50V
C549	Vi845600	C.EL 47uF 50V
C550	UA653240	C.MYLAR 2400pF 50V
C551	UA653240	C.MYLAR 2400pF 50V
C552	Vi845600	C.EL 47uF 50V
C553	Vi230500	C.CE.M.CHP 3300pF 50V
C554	Vi845600	C.EL 47uF 50V
C555	UB052180	C.CE.M.CHP 180pF 50V
C556	UB052180	C.CE.M.CHP 180pF 50V
C557	Vi845600	C.EL 47uF 50V
C558	Vi230500	C.CE.M.CHP 3300pF 50V
C559	Vi230500	C.CE.M.CHP 3300pF 50V
C560	Vi845000	C.EL 2.2uF 50V
C561	UB052180	C.CE.M.CHP 180pF 50V
C562	UB052180	C.CE.M.CHP 180pF 50V
C563	Vi845000	C.EL 2.2uF 50V
C564	Vi230500	C.CE.M.CHP 3300pF 50V
C565	Vi845600	C.EL 47uF 50V
C566	Vi845600	C.EL 47uF 50V
C567	UB052330	C.CE.M.CHP 330pF 50V
C568	Vi845600	C.EL 47uF 50V
C569	Vi845600	C.EL 47uF 50V
C570	UB052100	C.CE.M.CHP 100pF 50V
C571	UB052100	C.CE.M.CHP 100pF 50V
C572	Vi845600	C.EL 47uF 50V

* New Parts

RX-V1070/V870

RX-V870 DSP P. C. B.

RX-V1070/V870

Schm Ref.	PART NO.	Description		
C573	Vi845600	C.EL	47uF	50V
C574	Vi845600	C.EL	47uF	50V
C575	Vi845600	C.EL	47uF	50V
C576	Vi845600	C.EL	47uF	50V
C577	Vi845600	C.EL	47uF	50V
C578	Vi845600	C.EL	47uF	50V
C579	Vi845600	C.EL	47uF	50V
C580	UB052150	C.CE.M.CHP	150pF	50V
C581	UB052150	C.CE.M.CHP	150pF	50V
C582	Vi845600	C.EL	47uF	50V
C583	Vi845600	C.EL	47uF	50V
C584	UB052120	C.CE.M.CHP	120pF	50V
C585	UB052120	C.CE.M.CHP	120pF	50V
C586	UB052120	C.CE.M.CHP	120pF	50V
C587	Vi845600	C.EL	47uF	50V
C588	Vi845600	C.EL	47uF	50V
C589	UB052120	C.CE.M.CHP	120pF	50V
C590	UB052120	C.CE.M.CHP	120pF	50V
C591	UB052120	C.CE.M.CHP	120pF	50V
C592	UB052120	C.CE.M.CHP	120pF	50V
C593	UB052120	C.CE.M.CHP	120pF	50V
C594	UB052120	C.CE.M.CHP	120pF	50V
C595	UB052120	C.CE.M.CHP	120pF	50V
C596	VJ310400	C.CE.TUBLR	680pF	50V
C597	Vi845900	C.EL	10uF	63V
C598	Vi845600	C.EL	47uF	50V
C599	Vi845600	C.EL	47uF	50V
C600	VD499400	C.CE.M.CHP	0.1uF	25W
C601	UB052120	C.CE.M.CHP	120pF	50V
C602	UB052120	C.CE.M.CHP	120pF	50V
C603	Vi309200	C.EL	1000uF	10V
C604	Vi842400	C.EL	33uF	16V
C605	Vi842400	C.EL	33uF	16V
C606	Vi842400	C.EL	33uF	16V
C607	Vi842400	C.EL	33uF	16V
C608	Vi842400	C.EL	33uF	16V
C609	Vi309200	C.EL	1000uF	10V
C610	VF467300	C.CE.TUBLR	0.01uF	16V
C611	Vi842400	C.EL	33uF	16V
C612	Vi842400	C.EL	33uF	16V
C613	Vi842400	C.EL	33uF	16V
C614	Vi309200	C.EL	1000uF	10V
C615	Vi842400	C.EL	33uF	16V
C616	Vi842400	C.EL	33uF	16V
C617	VF467300	C.CE.TUBLR	0.01uF	16V
C618	Vi842400	C.EL	33uF	16V
C619	VF467300	C.CE.TUBLR	0.01uF	16V
C620	Vi842400	C.EL	33uF	16V
C621	Vi231700	C.CE.M.CHP	0.01uF	50V
C622	Vi845900	C.EL	10uF	63V
C623	Vi841800	C.EL	100uF	10V
C624	Vi841800	C.EL	100uF	10V
C625	UB052820	C.CE.M.CHP	820pF	50V

* New Parts

Schm Ref.	PART NO.	Description		
C626	Vi845900	C.EL	10uF	63V
C627	UB052120	C.CE.M.CHP	120pF	50V
C628	UB052220	C.CE.M.CHP	220pF	50V
C629	Vi845900	C.EL	10uF	63V
C630	Vi845900	C.EL	10uF	63V
C631	Vi845900	C.EL	10uF	63V
C632	Vi845600	C.EL	47uF	50V
C633	VD499400	C.CE.M.CHP	0.1uF	25W
C634	VD499400	C.CE.M.CHP	0.1uF	25W
C635	UB051330	C.CE.M.CHP	33pF	50V
C636	Vi845600	C.EL	47uF	50V
C637	Vi845200	C.EL	4.7uF	50V
C638	VF466600	C.CE.TUBLR	10pF	50V
C639	UB051220	C.CE.M.CHP	22pF	50V
C640	UB051220	C.CE.M.CHP	22pF	50V
C641	UB051330	C.CE.M.CHP	33pF	50V
C642	Vi845200	C.EL	4.7uF	50V
C643	Vi844900	C.EL	1uF	50V
C644	Vi845900	C.EL	10uF	63V
C645	Vi845900	C.EL	10uF	63V
C646	Vi845900	C.EL	10uF	63V
C647	Vi845900	C.EL	10uF	63V
C648	VD499400	C.CE.M.CHP	0.1uF	25W
C649	VD499400	C.CE.M.CHP	0.1uF	25W
C650	VD499400	C.CE.M.CHP	0.1uF	25W
C651	VD499400	C.CE.M.CHP	0.1uF	25W
C652	VD499400	C.CE.M.CHP	0.1uF	25W
C653	VD499400	C.CE.M.CHP	0.1uF	25W
C654	Vi845600	C.EL	47uF	50V
C655	Vi841800	C.EL	100uF	10V
C656	Vi845600	C.EL	47uF	50V
C657	Vi845600	C.EL	47uF	50V
C658	VD499400	C.CE.M.CHP	0.1uF	25W
C660	Vi845600	C.EL	47uF	50V
C661	VG279600	C.CE.TUBLR	3300pF	16V
D501	iF004600	DIODE	1SS133	
D502	iF004600	DIODE	1SS133	
D503	iF004600	DIODE	1SS133	
D504	iF004600	DIODE	1SS133	
D505	iF004600	DIODE	1SS133	
D506	iF004600	DIODE	1SS133	
D507	iF004600	DIODE	1SS133	
D508	iF004600	DIODE	1SS133	
D509	iF004600	DIODE	1SS133	
D510	iF004600	DIODE	1SS133	
D511	iF004600	DIODE	1SS133	
D512	iF004600	DIODE	1SS133	
D513	iF004600	DIODE	1SS133	
D514	iF004600	DIODE	1SS133	
D515	iF004600	DIODE	1SS133	
* D516	VG435100	DIODE.ZENR	MTZJ2B	2.0V
D517	iF004600	DIODE	1SS133	
D518	iF004600	DIODE	1SS133	

* New Parts

RX-V870 DSP P. C. B.

Schm Ref.	PART NO.	Description	
D519	iF004600	DIODE	1SS133
D520	iF004600	DIODE	1SS133
D521	iF004600	DIODE	1SS133
D522	iF004600	DIODE	1SS133
Fi501	VK175000	FLTR.LC	18KHz TFB-2D
Fi502	VK175000	FLTR.LC	18KHz TFB-2D
IC501	Xi020A00	IC	HM65256BLFP-10T
IC502	XB646A00	IC	AN78M05F
* IC503	XL816A00	IC	YSS223-K
IC504	XB247301	IC	uPC4570HA
IC505	XB247301	IC	uPC4570HA
IC506	XB247301	IC	uPC4570HA
IC507	XB247301	IC	uPC4570HA
IC508	XB247301	IC	uPC4570HA
* IC509	XL669A00	IC	M5238AFP
IC510	XF291A00	IC	uPC4570G2
IC511	XB247301	IC	uPC4570HA
IC512	XB247301	IC	uPC4570HA
IC513	XB247301	IC	uPC4570HA
* IC514	XL669A00	IC	M5238AFP
IC515	XF291A00	IC	uPC4570G2
IC516	XE536001	IC	LC7535
IC517	XG758A00	IC	LC7823N
IC518	XB247301	IC	uPC4570HA
IC519	XB417A00	IC	LC7582
IC520	XH436A00	IC	LA7956
IC521	XH436A00	IC	LA7956
IC522	XH436A00	IC	LA7956
IC523	XH436A00	IC	LA7956
IC524	XH436A00	IC	LA7956
IC525	XH436A00	IC	LA7956
IC526	ig037400	IC	uPD4066BC
IC527	ig055100	IC	TC4053BP
IC528	ig001720	IC	TC4069UBP
IC529	ig142220	IC	uPD74HC04C
IC530	XL314A00	IC	M35010-062SP
IC531	XB646A00	IC	AN78M05F
IC532	XF612A00	IC	AN79M05F
J691	RD250000	R.CAR.CHP	0 Ω 1/10W
JK501	VH842700	CN	3P
JK502	VJ784800	CN	3P
L501	Vi546100	COIL	220uH
L502	VB115600	COIL	15uH
* L503	Vi544200	COIL	5.6uH
Q501	ic260320	TR	2SC2603 E,F
Q502	VD678700	TR.DGT	DTC114ES
Q503	VD678500	TR.DGT	DTA114ES
Q504	iA101521	TR	2SA1015 Y
Q505	ic053540	TR	2SC535 A,B,C
Q506	ic260320	TR	2SC2603 E,F
Q507	ic260320	TR	2SC2603 E,F
Q508	ic224030	TR	2SC2240 GR,BL
Q509	ic224030	TR	2SC2240 GR,BL

* New Parts

Schm Ref.	PART NO.	Description	
R501	HL314330	R.MTL.OXD	33 Ω 1W
R502	VK583400	R.MTL.CHP	1M Ω 1/10W
R511	Vi197400	R.MTL.CHP	10K Ω 1/10W
R512	Vi197400	R.MTL.CHP	10K Ω 1/10W
R513	Vi197400	R.MTL.CHP	10K Ω 1/10W
R514	Vi197000	R.MTL.CHP	6.8K Ω 1/10W
R515	Vi195700	R.MTL.CHP	2.2K Ω 1/10W
R516	Vi195700	R.MTL.CHP	2.2K Ω 1/10W
R517	Vi197000	R.MTL.CHP	6.8K Ω 1/10W
R518	Vi197000	R.MTL.CHP	6.8K Ω 1/10W
R519	Vi195700	R.MTL.CHP	2.2K Ω 1/10W
R520	Vi195700	R.MTL.CHP	2.2K Ω 1/10W
R521	Vi197000	R.MTL.CHP	6.8K Ω 1/10W
R528	Vi197400	R.MTL.CHP	10K Ω 1/10W
R529	Vi195900	R.MTL.CHP	2.7K Ω 1/10W
R530	Vi195900	R.MTL.CHP	2.7K Ω 1/10W
R531	Vi197400	R.MTL.CHP	10K Ω 1/10W
R532	Vi197400	R.MTL.CHP	10K Ω 1/10W
R534	Vi197500	R.MTL.CHP	11K Ω 1/10W
R535	Vi197500	R.MTL.CHP	11K Ω 1/10W
R536	Vi197500	R.MTL.CHP	11K Ω 1/10W
R537	Vi200000	R.MTL.CHP	100K Ω 1/10W
R538	Vi200000	R.MTL.CHP	100K Ω 1/10W
R539	Vi197500	R.MTL.CHP	11K Ω 1/10W
R540	Vi197500	R.MTL.CHP	11K Ω 1/10W
R541	Vi197500	R.MTL.CHP	11K Ω 1/10W
R542	Vi197500	R.MTL.CHP	11K Ω 1/10W
R543	Vi197500	R.MTL.CHP	11K Ω 1/10W
R544	Vi197500	R.MTL.CHP	11K Ω 1/10W
R545	Vi200000	R.MTL.CHP	100K Ω 1/10W
R546	Vi200000	R.MTL.CHP	100K Ω 1/10W
R547	Vi197500	R.MTL.CHP	11K Ω 1/10W
R548	Vi197500	R.MTL.CHP	11K Ω 1/10W
R549	Vi197500	R.MTL.CHP	11K Ω 1/10W
R552	Vi196400	R.MTL.CHP	3.9K Ω 1/10W
R555	VK582600	R.MTL.CHP	470K Ω 1/10W
R556	Vi197200	R.MTL.CHP	8.2K Ω 1/10W
R557	Vi197400	R.MTL.CHP	10K Ω 1/10W
R558	Vi195900	R.MTL.CHP	2.7K Ω 1/10W
R559	Vi197400	R.MTL.CHP	10K Ω 1/10W
R560	Vi200000	R.MTL.CHP	100K Ω 1/10W
R561	Vi197400	R.MTL.CHP	10K Ω 1/10W
R562	Vi200000	R.MTL.CHP	100K Ω 1/10W
R563	Vi195900	R.MTL.CHP	2.7K Ω 1/10W
R564	Vi196400	R.MTL.CHP	3.9K Ω 1/10W
R565	RD253220	R.CAR.CHP	2.2 Ω 1/10W
R566	Vi197400	R.MTL.CHP	10K Ω 1/10W
R567	Vi197600	R.MTL.CHP	12K Ω 1/10W
R568	Vi196800	R.MTL.CHP	5.6K Ω 1/10W
R569	Vi196800	R.MTL.CHP	5.6K Ω 1/10W
R570	Vi197600	R.MTL.CHP	12K Ω 1/10W
R575	Vi195300	R.MTL.CHP	1.5K Ω 1/10W
R576	Vi195300	R.MTL.CHP	1.5K Ω 1/10W

* New Parts

RX-V870 DSP & TUNER P. C. B.

RX-V1070/V870

Schm Ref.	PART NO.	Description
R579	Vi196100	R.MTL.CHP 3.3KΩ 1/10W
R581	VK582600	R.MTL.CHP 470KΩ 1/10W
R582	VK582600	R.MTL.CHP 470KΩ 1/10W
R584	Vi196100	R.MTL.CHP 3.3KΩ 1/10W
R586	Vi193300	R.MTL.CHP 220Ω 1/10W
R600	HV454330	R.CAR.FP 33Ω 1/4W
R602	HV454330	R.CAR.FP 33Ω 1/4W
R604	HV454330	R.CAR.FP 33Ω 1/4W
R605	Vi197400	R.MTL.CHP 10KΩ 1/10W
R606	Vi200000	R.MTL.CHP 100KΩ 1/10W
R608	Vi197400	R.MTL.CHP 10KΩ 1/10W
R609	Vi198200	R.MTL.CHP 22KΩ 1/10W
R611	Vi194100	R.MTL.CHP 470Ω 1/10W
R613	Vi194100	R.MTL.CHP 470Ω 1/10W
R616	Vi196600	R.MTL.CHP 4.7KΩ 1/10W
R617	VK582600	R.MTL.CHP 470KΩ 1/10W
* R618	VK581800	R.MTL.CHP 220KΩ 1/10W
R621	HV455150	R.CAR.FP 150Ω 1/4W
R633	HV455120	R.CAR.FP 120Ω 1/4W
R641	Vi197800	R.MTL.CHP 15KΩ 1/10W
R642	Vi197400	R.MTL.CHP 10KΩ 1/10W
R645	Vi197400	R.MTL.CHP 10KΩ 1/10W
R647	Vi192500	R.MTL.CHP 100Ω 1/10W
R650	Vi197400	R.MTL.CHP 10KΩ 1/10W
R651	Vi197400	R.MTL.CHP 10KΩ 1/10W
R652	HV454220	R.CAR.FP 22Ω 1/4W
R653	HV454220	R.CAR.FP 22Ω 1/4W
R654	Vi197400	R.MTL.CHP 10KΩ 1/10W
SW501	KA401690	SW.SLIDE SSJ-312
* V501	VP628400	LCD LCD8245B1JP
XL501	VK175200	RSNR.CE 11.28MHz
XL502	VD980900	RSNR.CRYS 14.3181MHz
XL502	VF066800	RSNR.CRYS 17.7344MHz
	VG729700	LAMP 115mA 14.5V
	VB966900	CN IMSA-6024
	Vi435400	GND.MTL
	VG433100	REFLC LCD
	VG433300	SHEET LCD
	VF444500	CAP.LAMP AG-4015
	VG650400	RING
	CB605620	PLST.RIVET No.1781
*	VP636900	P.C.B. TUNER(UC)
*	VP637000	P.C.B. TUNER(R)
*	VP637100	P.C.B. TUNER(A)
CB1	VD004600	CN.BS.PIN PH i-TYPE 3P TE
CB2	VD004900	CN.BS.PIN PH i-TYPE 6P TE
CB3	VD005000	CN.BS.PIN PH i-TYPE 7P TE
C1	Vi842800	C.EL 330uF 16V
C2	VG280100	C.CE.TUBLR 0.022uF 25V
C3	VJ599000	C.CE.TUBLR 0.047uF 16V

* New Parts

Schm Ref.	PART NO.	Description
C4	Vi845900	C.EL 10uF 63V
C5	VF467300	C.CE.TUBLR 0.01uF 16V
C6	Vi842600	C.EL 100uF 16V
C7	Vi844900	C.EL 1uF 50V
C8	VF467300	C.CE.TUBLR 0.01uF 16V
C9	VF467300	C.CE.TUBLR 0.01uF 16V
C10	VF467300	C.CE.TUBLR 0.01uF 16V
C11	VF467000	C.CE.TUBLR 1000pF 50V
C12	Vi845900	C.EL 10uF 63V
C13	Vi845900	C.EL 10uF 63V
C14	VF467000	C.CE.TUBLR 1000pF 50V
C15	VF467000	C.CE.TUBLR 1000pF 50V
C16	VF466700	C.CE.TUBLR 47pF 50V
C17	Vi842600	C.EL 100uF 16V
C18	UA655100	C.MYLAR 0.1uF 50V
C19	VA761200	C.CE 33pF 50V
C20	Vi845900	C.EL 10uF 63V
C21	VF466800	C.CE.TUBLR 100pF 50V
C22	Vi845000	C.EL 2.2uF 50V
C23	VF467300	C.CE.TUBLR 0.01uF 16V
C24	Vi845200	C.EL 4.7uF 50V
C25	Vi845100	C.EL 3.3uF 50V
C26	Vi845900	C.EL 10uF 63V
C27	VF467300	C.CE.TUBLR 0.01uF 16V
C28	VA761200	C.CE 33pF 50V
C29	Vi844900	C.EL 1uF 50V
C30	Vi844900	C.EL 1uF 50V
C31	Vi845900	C.EL 10uF 63V
C32	Vi844800	C.EL 0.47uF 50V
C33	Vi844900	C.EL 1uF 50V
C34	UA654470	C.MYLAR 0.047uF 50V
C35	VD916400	C.EL 2.2uF 50V
C36	UT452470	C.PP 470pF 100V
C36	UT452680	C.PP 680pF 100V
C37	UT452470	C.PP 470pF 100V
C37	UT452680	C.PP 680pF 100V
C38	VF466900	C.CE.TUBLR 470pF 50V
C39	Vi845900	C.EL 10uF 63V
C40	Vi844900	C.EL 1uF 50V
C41	UA653270	C.MYLAR 2700pF 50V
C42	Vi845900	C.EL 10uF 63V
C43	UA653270	C.MYLAR 2700pF 50V
C44	Vi844900	C.EL 1uF 50V
C45	UA653100	C.MYLAR 1000pF 50V
C46	UA653390	C.MYLAR 3900pF 50V
C47	UA653390	C.MYLAR 3900pF 50V
C48	UA653100	C.MYLAR 1000pF 50V
C49	VJ599000	C.CE.TUBLR 0.047uF 16V
D1	iF004600	DIODE 1SS133
D2	iF004600	DIODE 1SS133
Fi1	GG000560	FLTR.CE SFE10.7MS3GHY-A
Fi2	GG000560	FLTR.CE SFE10.7MS3GHY-A
Fi3	VC219000	FLTR.CE SFZ450JL3

* New Parts

RX-V870 TUNER & OPERATION P. C. B.

Schm Ref.	PART NO.	Description	
IC1	XB760001	IC	LA1266
IC2	XB818A00	IC	LM7000N
IC3	iG158100	IC	LA3401
L1	Vi546100	COIL	220uH
L2	Vi546100	COIL	220uH
L3	Vi546100	COIL	220uH
L4	GE901850	COIL	39mH
L5	GE901850	COIL	39mH
PK1	VK208500	TUNER.PK	TFFG1U145A
PK2	Vi027300	COIL.AM	
Q1	VB433300	TR	2SC1809 M,N,P
Q2	VC218900	TR	2SC3330 R,S,T
Q3	VC218900	TR	2SC3330 R,S,T
Q4	VB433300	TR	2SC1809 M,N,P
Q5	VC218700	TR	2SA1317 R,S,T
Q6	VC218900	TR	2SC3330 R,S,T
SW1	VF541200	SW.SLIDE	SSSF11
T1	VC218600	COIL.DT.FM	10.7MHz
T2	GE100470	COIL.IF.AM	450KHz
TE1	LA005800	TERM.ANT	YKD31-0215
VR1	VJ694000	VR.TRIM	B47KΩ
VR2	VJ694000	VR.TRIM	B47KΩ
XL1	QU003800	RSNR.CRYS	7.2MHz
XL2	GG000750	RSNR.CE	18.95MHz
	BB071360	SCR.TERM	8.3x13
*	VP640800	P.C.B.	OPERATION
C351	VJ599100	C.CE.TUBLR	0.1uF 50V
D352	VF402500	LED	SLR-34DC3H3 (or)
D353	VF402500	LED	SLR-34DC3H3 (or)
D354	VF402500	LED	SLR-34DC3H3 (or)
D355	VF402500	LED	SLR-34DC3H3 (or)
D356	VF402500	LED	SLR-34DC3H3 (or)
D357	VF402500	LED	SLR-34DC3H3 (or)
D358	VF402500	LED	SLR-34DC3H3 (or)
D359	iF004600	DIODE	1SS133
D360	iF004600	DIODE	1SS133
D361	iF004600	DIODE	1SS133
D362	iF004600	DIODE	1SS133
D363	iF004600	DIODE	1SS133
IC351	iR013820	IC	uPD74HC138C
SW351	KA906380	SW.PUSH	
SW352	KA906380	SW.PUSH	
SW353	KA906380	SW.PUSH	
SW355	KA906380	SW.PUSH	
SW356	KA906380	SW.PUSH	
SW357	KA906380	SW.PUSH	
SW358	KA906380	SW.PUSH	
SW359	KA906380	SW.PUSH	
SW360	KA906380	SW.PUSH	
SW361	KA906380	SW.PUSH	

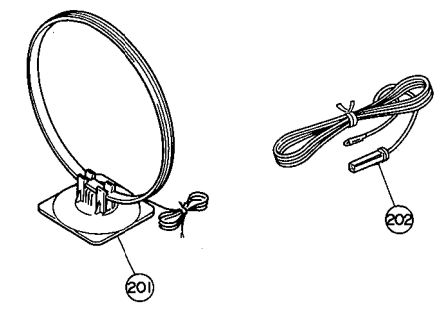
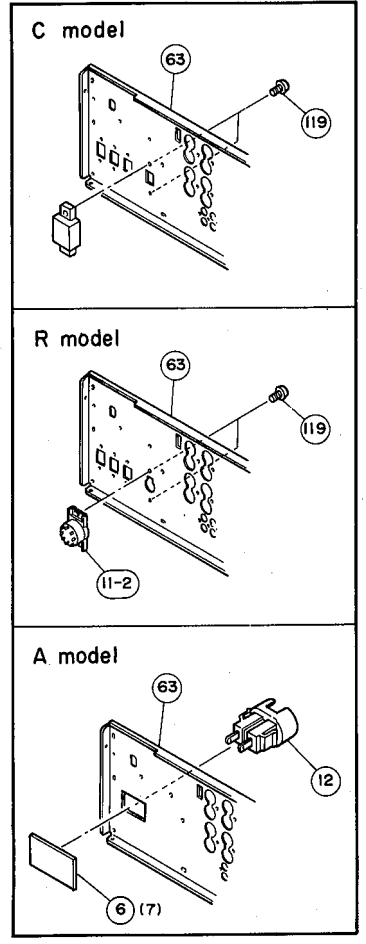
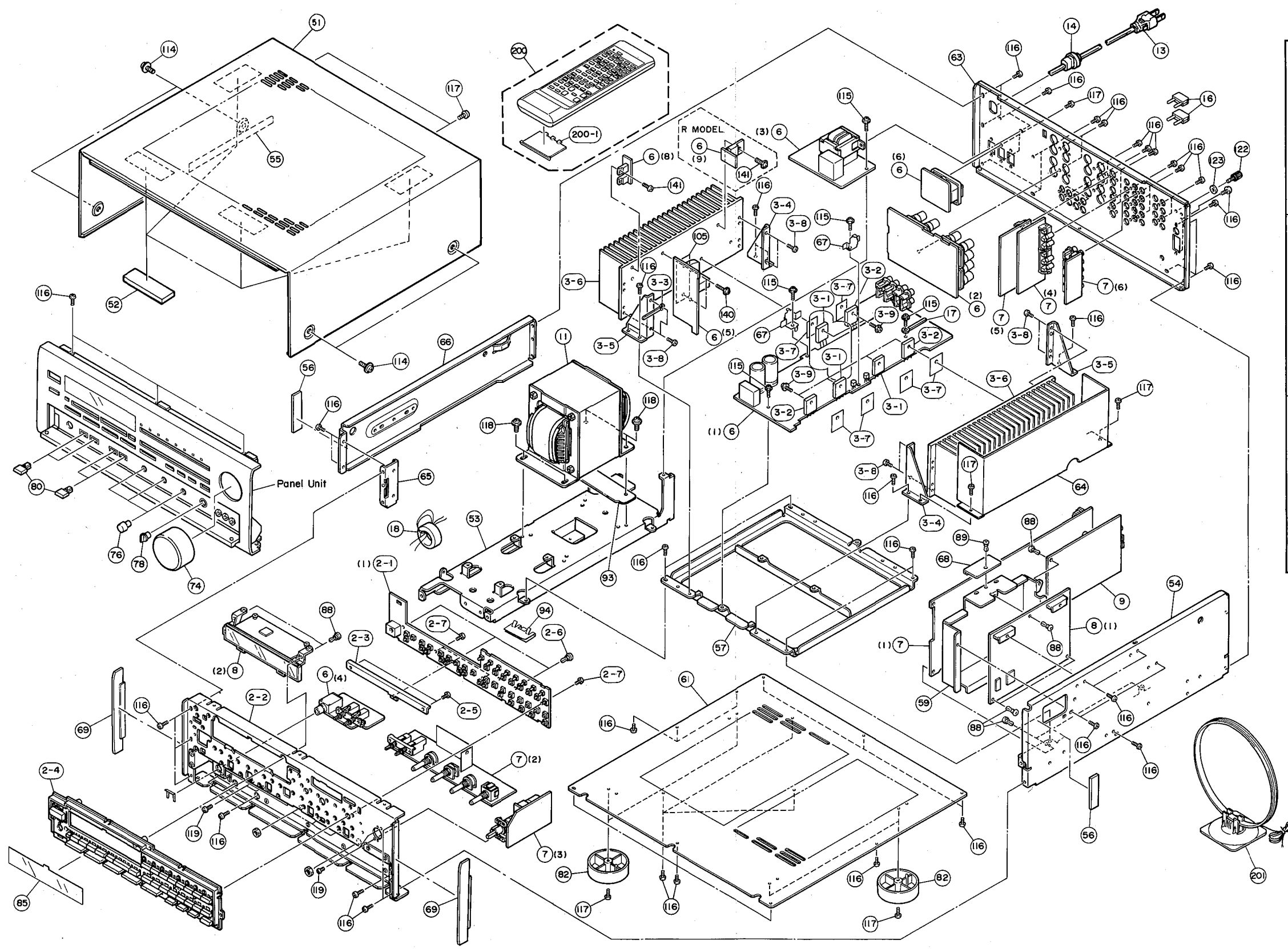
* New Parts

Schm Ref.	PART NO.	Description	
SW362	KA906380	SW.PUSH	
SW363	KA906380	SW.PUSH	
SW364	KA906380	SW.PUSH	
SW365	KA906380	SW.PUSH	
SW366	KA906380	SW.PUSH	
SW367	KA906380	SW.PUSH	
SW368	KA906380	SW.PUSH	
SW369	KA906380	SW.PUSH	
SW370	KA906380	SW.PUSH	
SW371	KA906380	SW.PUSH	
SW372	KA906380	SW.PUSH	
SW373	KA906380	SW.PUSH	
SW374	KA906380	SW.PUSH	
SW375	KA906380	SW.PUSH	
SW376	KA906380	SW.PUSH	
SW377	KA906380	SW.PUSH	
SW378	KA906380	SW.PUSH	
SW379	KA906380	SW.PUSH	
SW380	KA906380	SW.PUSH	
SW381	KA906380	SW.PUSH	
SW382	KA906380	SW.PUSH	
SW383	KA906380	SW.PUSH	
SW384	KA906380	SW.PUSH	
SW385	KA906380	SW.PUSH	
SW386	KA906380	SW.PUSH	
SW387	KA906380	SW.PUSH	
SW388	KA906380	SW.PUSH	
SW389	KA906380	SW.PUSH	
SW390	KA906380	SW.PUSH	
SW391	KA906380	SW.PUSH	
U351	VF926500	L.DTCT	GP1U501X

* New Parts

RX-V1070 EXPLODED VIEW

RX-V1070



1
2
3
4
5
6

RX-V1070 MECHANICAL PARTS Note) Ø : Diameter

RX-V1070

Ref. No.	PART NO.	Description	Remarks	Markets
* 2-1	VP636400	P.C.B. ASSY, OPERATION		
2-2	VJ831700	SUB CHASSIS		
* 2-3	VP447000	SUPPORT	OP	
* 2-4	VP269400	BUTTON CASE		
2-5	Ei330066	BIND HEAD B-TITE SCREW	3x6 FCRM3-BL PACK	
2-6	CB605620	PLASTIC RIVET	No.1781	
* 2-7	EX602770	PAN HEAD P-TITE SCREW	2.6x6 FCRM3-BL	
3-1	ix801420	TRANSISTOR	2SA1302 O,R	Q150,153,156
3-2	ix801430	TRANSISTOR	2SC3281 O,R	Q148,151,154
3-3	CB040540	BINDING TIE	S-72B	
3-4	VJ892300	SUPPORT	R	
3-5	VJ892400	SUPPORT	L	
3-6	VJ892100	RADIATOR	L=90	
3-7	VK196000	SHEET	22x29	
3-8	EX600250	CUP B-TITE SCREW	3x10 FCRM3-BL	
3-9	VK173200	SCREW, TRANSISTOR	3x15 SP FCM3	
* 6	VP635800	P.C.B. ASSY, MAIN		(UC)
* 6	VP635900	P.C.B. ASSY, MAIN		(R)
* 6	VP636000	P.C.B. ASSY, MAIN		(A)
* 7	VP636100	P.C.B. ASSY, INPUT		(UC)
* 7	VP636200	P.C.B. ASSY, INPUT		(R)
* 7	VP636300	P.C.B. ASSY, INPUT		(A)
* 8	VP636700	P.C.B. ASSY, DSP		(UC)
* 8	VP636800	P.C.B. ASSY, DSP		(R)
8	VQ082100	P.C.B. ASSY, DSP		(A)
* 9	VP636900	P.C.B. ASSY, TUNER		(UC)
* 9	VP637000	P.C.B. ASSY, TUNER		(R)
* 9	VP637100	P.C.B. ASSY, TUNER		(A)
11-1	Xi493A00	POWER TRANSFORMER		(R)
11-2	Vi449800	VOLTAGE SELECTOR	ESE-37284-F	(R)
11	Xi491A00	POWER TRANSFORMER		(U)
11	Xi494A00	POWER TRANSFORMER		(A)
11	XM033A00	POWER TRANSFORMER		(C)
12	VP418700	AC OUTLET	2P	
13	MG001630	POWER CORD	7A 250V 2.0m	(R)
13	MG002220	POWER CORD	10A 125V 2.0m	(UC)
13	VP417900	POWER CORD	7.5A 250V 2.0m	(A)
14	CB620190	CORD STOPPER	CM-22B	(RA)
14	CB620200	CORD STOPPER	CM-22C	(UC)
16	LB101110	SHORT PLUG		
17	CB040540	BINDING TIE	S-72B	
18	VK901900	RING CORE		(U)
19	CB069250	BINDING TIE	BK-1	
51	VJ895100	TOP COVER		
52	VK706800	DAMPER	TOP	
53	VJ892600	FRAME	L	
54	VJ892700	FRAME	R	
55	VL126500	DAMPER	L	
56	VQ085200	DAMPER		
57	VJ892800	FRAME	CENTER	
59	VJ893000	SHIELD CASE		
61	VJ893400	BOTTOM COVER		
* 63	VP269600	REAR PANEL		(U)

* New Parts

Ref. No.	PART NO.	Description	Remarks	Markets
* 63	VP269700	REAR PANEL		(C)
* 63	VP269800	REAR PANEL		(R)
* 63	VP269900	REAR PANEL		(A)
64	VK434000	SHIELD CASE	B	
65	VJ895500	FRAME	A	
66	VJ895600	FRAME	B	
67	VK839200	TR. PUSHER		
68	VJ895900	SUPPORT	PCB	
69	VJ833100	SIDE COVER	BL	
74	VK015100	KNOB, LED	Ø45	VOLUME
76	VP559100	KNOB	RO/D12	BALANCE
78	VP564300	KNOB	RO/D12	REC OUT
80	VM736600	BUTTON	3x14	SPEAKERS
82	VK016500	LEG	Ø60/H21	
85	VJ832900	SHEET		
88	CB605620	PLASTIC RIVET	No.1781	
89	CB068880	PLASTIC RIVET	No.1027	
93	VL123400	PLATE		
94	VP995100	GROUND PLATE		
105	VL024400	SHEET		
114	EK365090	BW HEAD SCREW	4x8 ZMC2-BL	
115	EK336010	BW HEAD TAPPING SCREW	3x8 FCRM3-BL	
116	EN301010	BIND HEAD BONDING TAP. SCREW	3x8 FCRM3-BL	
117	Ei330086	BIND HEAD B-TITE SCREW	3x8 FCRM3-BL	PACK
118	VK625000	CUP S-TITE SCREW	5x10-12 ZMC2-Y	
119	ED330066	BIND HEAD SCREW	3x6 FCRM3-BL	PACK
122	AA627310	GROUND TERMINAL		
123	EV265560	PLAIN WASHER	3.6x10x0.8FNM3-3G	
140	VK865300	HEX. HEAD TAP. SCREW WITH WS	3x18 FCRM3-BL	
141	EX600250	CUP B-TITE SCREW	3x10 FCRM3-BL	
		ACCESSORIES		
* 200	VP373200	REMOTE CONTROL TRANSMITTER		
200-1	CX674400	LID		103RRC-031-02R
201	VE366200	LOOP ANTENNA	AM	
202	VG850700	ANTENNA, FM	1.4m	
		DRY CELL	SUM-3N(4S)NE.AB	

* New Parts

RX-V1070/V870

RX-V870 EXPLODED VIEW

RX-V870

1

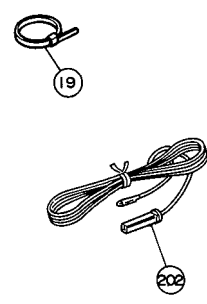
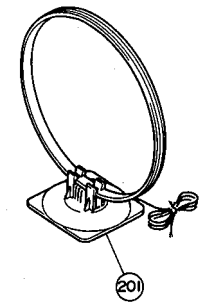
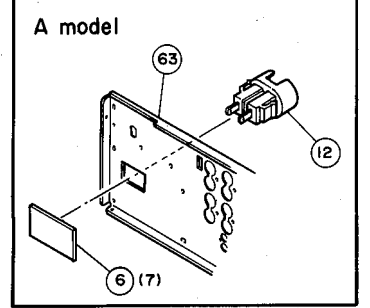
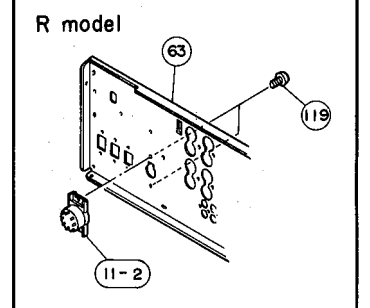
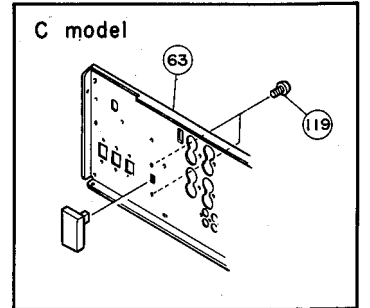
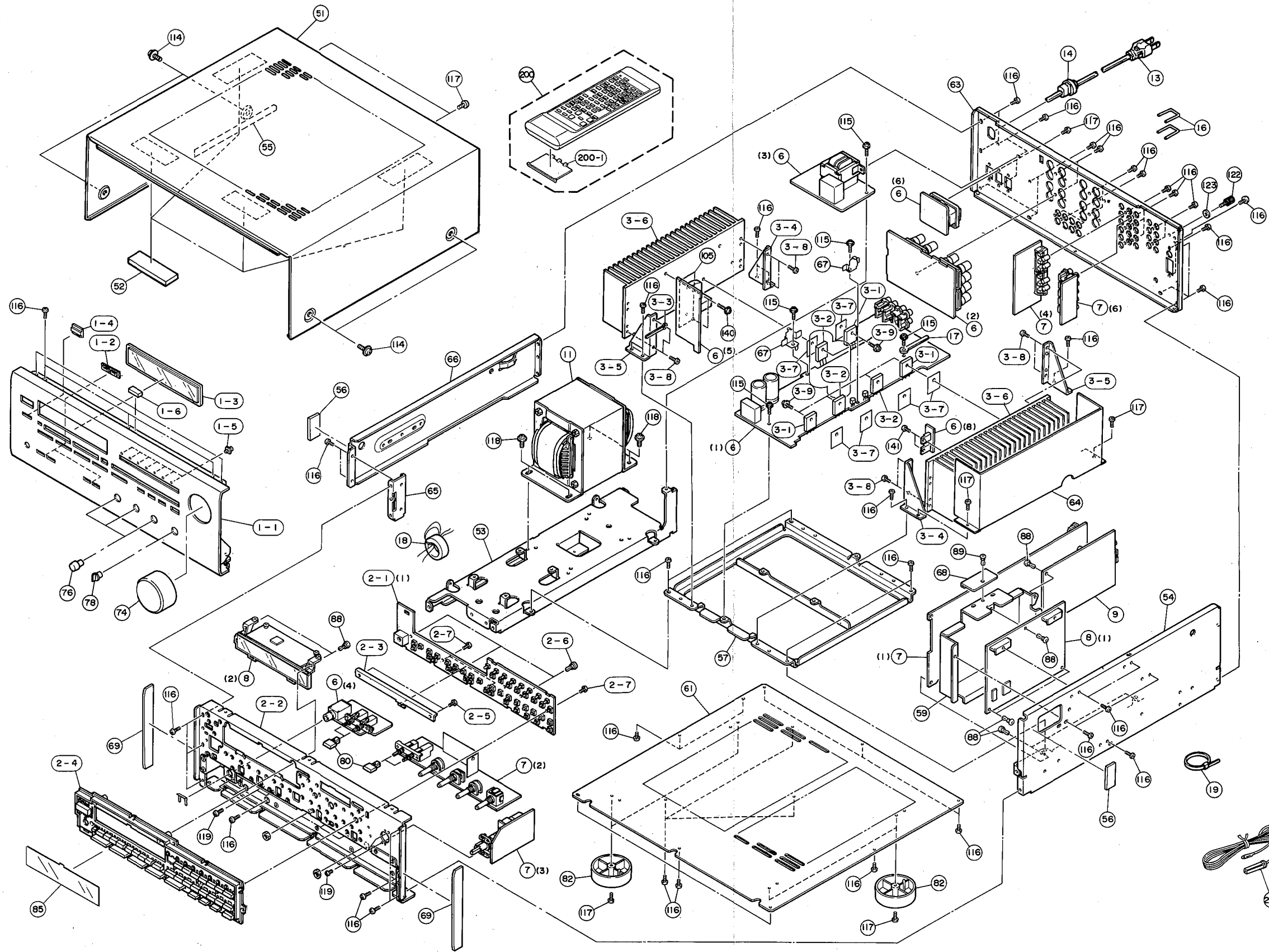
2

3

4

5

6



RX-V870 MECHANICAL PARTS Note) Ø : Diameter

RX-V870

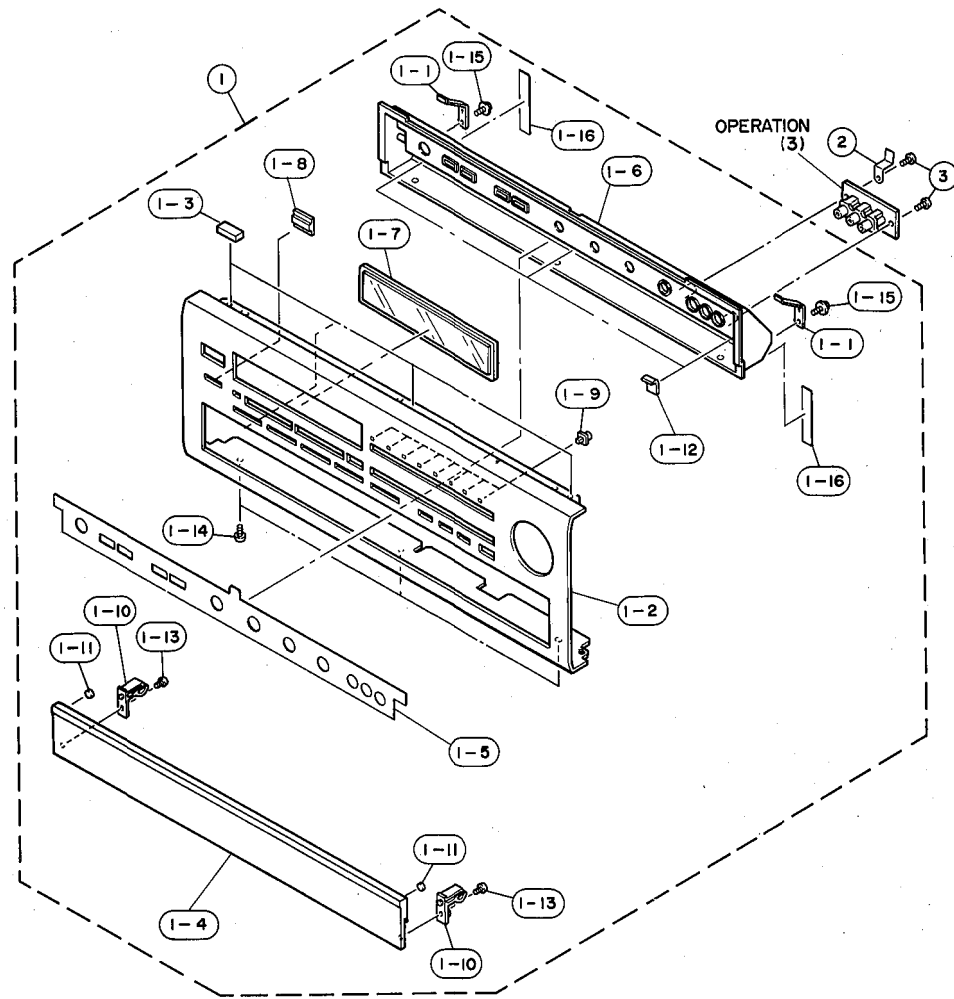
Ref. No.	PART NO.	Description	Remarks	Markets
* 1-1	VP269000	FRONT PANEL		
1-2	VJ833300	BUTTON GUIDE	2P	
1-3	VJ832800	WINDOW PANEL		
1-4	VH897500	LENS		
1-5	VH897700	LENS		
1-6	VE222600	CUSHION		
* 2-1	VP640800	P.C.B. ASSy, OPERATION		
2-2	VJ831800	SUB CHASSIS		
* 2-3	VP447000	SUPPORT	OP	
* 2-4	VP269400	BUTTON CASE		
2-5	Ei330066	BIND HEAD B-TITE SCREW	3x6 FCRM3-BL PACK	
2-6	CB605620	PLASTIC RIVET	No.1781	
* 2-7	EX602770	PAN HEAD P-TITE SCREW	2.6x6 FCRM3-BL	
3-1	iX606470	TRANSISTOR	2SC3856 O,P,Y	Q148,151,154 △
3-2	iX606460	TRANSISTOR	2SA1492 O,P,Y	Q150,153,156 △
3-3	CB040540	BINDING TIE	S-72B	
3-4	VJ892300	SUPPORT	R	
3-5	VJ892400	SUPPORT	L	
3-6	VJ891700	RADIATOR		
3-7	VK195900	SHEET	19x24	
3-8	EX600250	CUP B-TITE SCREW	3x10 FCRM3-BL	
3-9	VK173200	SCREW, TRANSISTOR	3x15 SP FCM3	
* 6	VP640100	P.C.B. ASSy, MAIN		(U)
* 6	VP640200	P.C.B. ASSy, MAIN		(C)
* 6	VP640300	P.C.B. ASSy, MAIN		(R)
* 6	VP640400	P.C.B. ASSy, MAIN		(A)
* 7	VP640500	P.C.B. ASSy, INPUT		(UC)
* 7	VP640600	P.C.B. ASSy, INPUT		(R)
* 7	VP640700	P.C.B. ASSy, INPUT		(A)
* 8	VP636700	P.C.B. ASSy, DSP		(UC)
* 8	VP636800	P.C.B. ASSy, DSP		(R)
* 8	VQ082100	P.C.B. ASSy, DSP		(A)
* 9	VP636900	P.C.B. ASSy, TUNER		(UC)
* 9	VP637000	P.C.B. ASSy, TUNER		(R)
* 9	VP637100	P.C.B. ASSy, TUNER		(A)
* 11	VP640000	POWER TRANSFORMER ASSy		(R) △
* 11	XL968A00	POWER TRANSFORMER		(U) △
* 11	XL969A00	POWER TRANSFORMER		(C) △
* 11	XL971A00	POWER TRANSFORMER		(A) △
12	VP418700	AC OUTLET	2P	(A) △
13	MG001630	POWER CORD	7A 250V 2.0m	(R) △
13	MG002220	POWER CORD	10A 125V 2.0m	(UC) △
13	VP417900	POWER CORD	7.5A 250V 2.0m	(A) △
14	CB620190	CORD STOPPER	CM-22B	(RA) △
14	CB620200	CORD STOPPER	CM-22C	(UC) △
16	LB101110	SHORT PLUG		
17	CB040540	BINDING TIE	S-72B	
18	VK901900	RING CORE		(U)
19	CB069250	BINDING TIE	BK-1	
51	VJ895100	TOP COVER		
52	VK706800	DAMPER	TOP	
53	VJ892600	FRAME	L	
54	VJ892700	FRAME	R	

* New Parts

Ref. No.	PART NO.	Description	Remarks	Markets
55	VL126500	DAMPER	L	
56	VQ085200	DAMPER		
57	VJ892800	FRAME	CENTER	
59	VJ893000	SHIELD CASE		
61	VJ893400	BOTTOM COVER		
* 63	VP270000	REAR PANEL		(U)
* 63	VP270100	REAR PANEL		(C)
* 63	VP270200	REAR PANEL		(R)
* 63	VP270300	REAR PANEL		(A)
64	VK434000	SHIELD CASE	B	
65	VJ895500	FRAME	A	
66	VJ895600	FRAME	B	
67	VK839200	TR. PUSHER		
68	VJ895900	SUPPORT	PCB	
69	VJ833100	SIDE COVER	BL	
74	VK015100	KNOB, LED	Ø45	VOLUME
76	VP511900	KNOB	Ø16	BALANCE
* 78	VP587700	KNOB	Ø16	REC OUT
80	VM736600	BUTTON	3x14	SPEAKERS
82	VK016500	LEG	Ø60/H21	
85	VJ832900	SHEET		
88	CB605620	PLASTIC RIVET	No.1781	
89	CB068880	PLASTIC RIVET	No.1027	
105	VL024400	SHEET		
114	EK365090	BW HEAD SCREW	4x8 ZMC2-BL	
115	EK336010	BW HEAD TAPPING SCREW	3x8 FCRM3-BL	
116	EN301010	BIND HEAD BONDING TAP. SCREW	3x8 FCRM3-BL	
117	Ei330086	BIND HEAD B-TITE SCREW	3x8 FCRM3-BL	PACK
118	VK625000	CUP S-TITE SCREW	5x10-12 ZMC2-Y	
119	ED330066	BIND HEAD SCREW	3x6 FCRM3-BL	PACK
122	AA627310	GROUND TERMINAL		
123	EV265560	PLAIN WASHER	3.6x10x0.8FNM3-3G	
140	VK865300	HEX. HEAD TAP. SCREW WITH WS	3x18 FCRM3-BL	
141	EX600250	CUP B-TITE SCREW	3x10 FCRM3-BL	
		ACCESSORIES		
* 200	VP373300	REMOTE CONTROL TRANSMITTER		
200-1	CX674400	LID		103RRC-031-02R
201	VE366200	LOOP ANTENNA	AM	
202	VG850700	ANTENNA, FM	1.4m	
		DRY CELL	SUM-3N(4S)NE,AB	

* New Parts

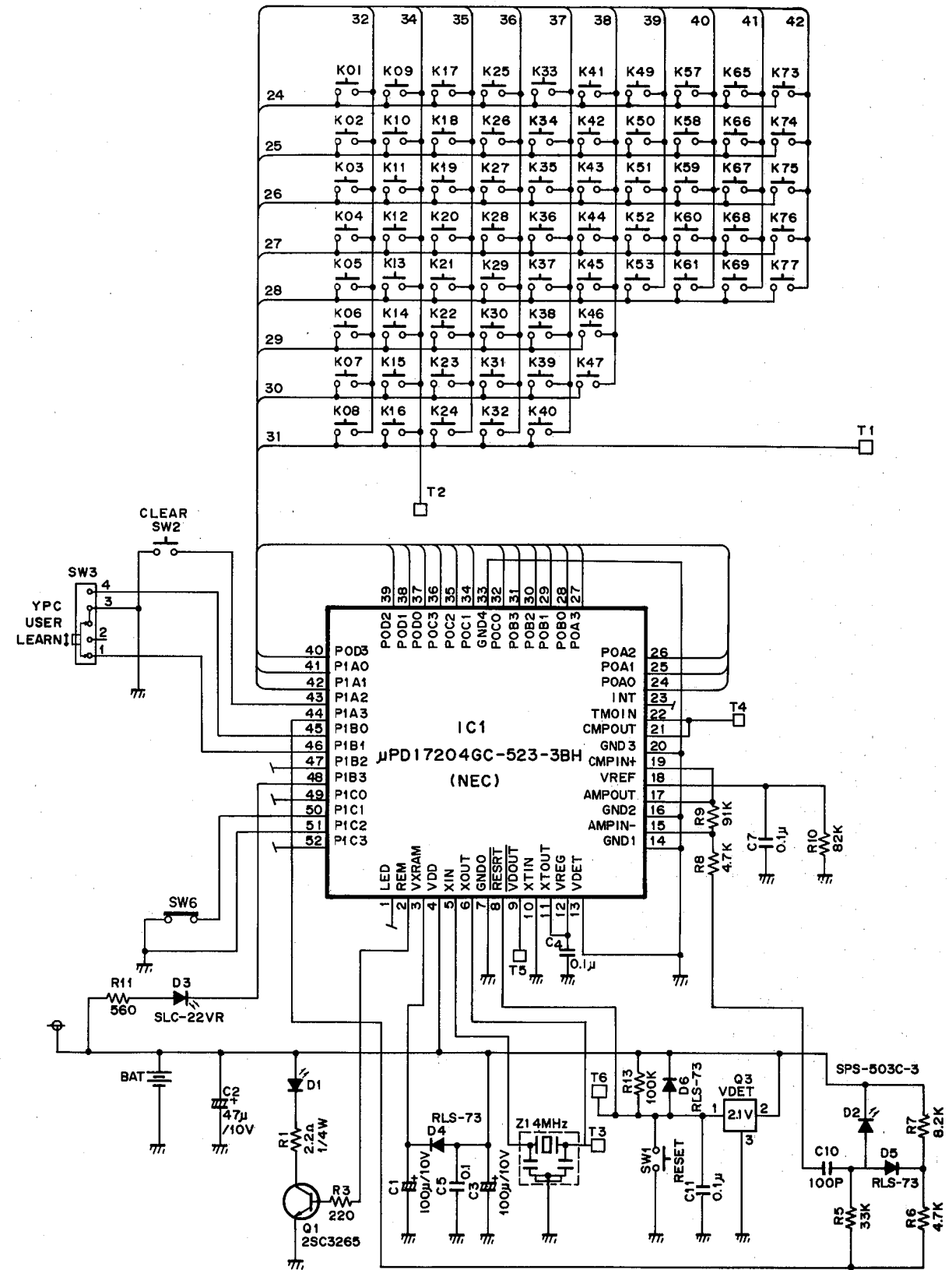
RX-V1070 EXPLODED VIEW (Panel Unit)



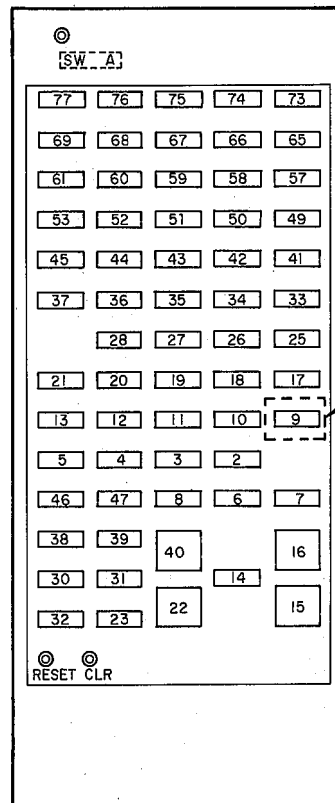
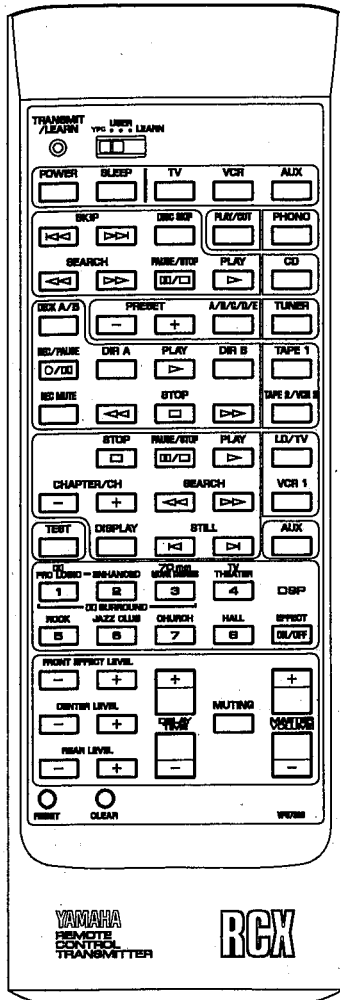
Ref. No.	PART NO.	Description	Remarks	Markets
* 1	VP637400	FRONT PANEL ASSy		
1- 1	VJ888200	SPRING		
* 1- 2	VP268800	FRONT PANEL		
1- 3	VE222600	CUSHION		
* 1- 4	VP269200	SUB PANEL, LID		
* 1- 5	VP446800	PLATE, SHIELDING		
1- 6	VJ832500	CASE, SUB PANEL		
1- 7	VJ832800	WINDOW PANEL		
1- 8	VH897500	LENS		
1- 9	VH897700	LENS		
1-10	VJ888100	STOPPER		
1-11	CB621930	DAMPER		
1-12	VE798200	CUSHION		
1-13	ED330066	BIND HEAD SCREW	3x6 FCRM3-BL	
1-14	EP630290	BIND HEAD P-TITE SCREW	3x6 FCRM3-BL	
1-15	EX601280	BW HEAD P-TITE SCREW	3x8-8 FCRM3-BL	
* 1-16	VH408500	TAPE, CONDUCTIVE	No.1245	
2	VK537000	GROUND PLATE		
3	EX601280	BW HEAD P-TITE SCREW	3x8-8 FCRM3-BL	

* New Parts

REMOTE CONTROL TRANSMITTER
SCHEMATIC DIAGRAM



RX-V1070 RX-V870



RX-V1070 only

RX-V1070/V870

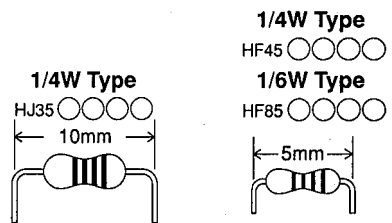
KEY No.	CONTROL CODE	FUNCTION
77	7A-1F	POWER
76	7A-57	SLEEP
75	—	No initial value (TV)
74	—	No initial value (VCR)
73	—	No initial value (AUX)
69	7A-0B	CD SKIP ◀◀
68	7A-0A	SKIP ▶▶
67	7A-4F	DISK SKIP
66	7A-0E	PHONO PLAY/CUT
65	7A-14	INPUT PHONO
61	7A-0D	SEARCH ◀◀
60	7A-0C	SEARCH ▶▶
59	7A-09	PAUSE/STOP
58	7A-08	PLAY
57	7A-15	INPUT CD
53	7A-06	TAPE A/B
52	7A-11	TUNER PRESET -
51	7A-10	PRESET +
50	7A-12	A/B/C/D/E
49	7A-16	INPUT TUNER
45	7A-04	TAPE REC/PAUSE
44	7A-07	DIR A
43	7A-00	PLAY
42	7A-40	DIR B

KEY No.	CONTROL CODE	FUNCTION
41	7A-19	INPUT TAPE1
37	7A-05	TAPE REC MUTE
36	7A-01	◀◀
35	7A-03	STOP
34	7A-02	▶▶
33	7A-18	INPUT TAPE2/VCR2
28	7C-5B	LD STOP
27	7C-04	PAUSE/STOP
26	7C-05	PLAY
25	7A-17	INPUT LD/TV
21	7C-02	LD CHAPTER -
20	7C-03	CHAPTER +
19	7C-06	SEARCH ◀◀
18	7C-07	SEARCH ▶▶
17	7A-0F	INPUT VCR1
13	7A-85	TEST
12	7C-13	LD DISPLAY
11	7C-0A	STILL ◀◀
10	7C-0B	STILL ▶▶
9	7A-13	INPUT AUX
5	7A-88	PROGRAM1
4	7A-89	PROGRAM2
3	7A-8A	PROGRAM3
2	7A-8B	PROGRAM4

KEY No.	CONTROL CODE	FUNCTION
46	7A-8C	PROGRAM5
47	7A-8D	PROGRAM6
8	7A-8E	PROGRAM7
6	7A-8F	PROGRAM8
7	7A-56	EFFECT ON/OFF
38	7A-81	FRONT EFFECT -
39	7A-80	FRONT EFFECT +
40	7A-52	DELAY TIME +
16	7A-1A	MASTER VOLUME +
30	7A-83	CENTER LEVEL -
31	7A-82	CENTER LEVEL +
14	7A-1C	MUTING
32	7A-5F	REAR LEVEL -
23	7A-5E	REAR LEVEL +
22	7A-53	DELAY TIME -
15	7A-1B	MASTER VOLUME -

Parts List for Carbon Resistors

Value	1/4W Type Part No.	1/6W Type Part No.	Value	1/4W Type Part No.	1/6W Type Part No.
1.0 Ω	HJ35 3100	HF85 3100	10 kΩ	HF45 7100	HF45 7100
1.8 Ω	HJ35 3180	*	11 kΩ	HF45 7110	HF45 7110
2.2 Ω	HJ35 3220	HF85 3220	12 kΩ	HJ35 7120	HF85 7120
3.3 Ω	HJ35 3330	HF85 3330	13 kΩ	HF45 7130	HF45 7130
4.7 Ω	HJ35 3470	HF85 3470	15 kΩ	HF45 7150	HF45 7150
5.6 Ω	HJ35 3560	HF85 3560	18 kΩ	HF45 7180	HF45 7180
10 Ω	HF45 4100	HF45 4100	22 kΩ	HF45 7220	HF45 7220
15 Ω	HJ35 4150	HF85 4150	24 kΩ	HF45 7240	HF45 7240
22 Ω	HF45 4220	HF45 4220	27 kΩ	HJ35 7270	HF85 7270
27 Ω	HJ35 4270	HF85 4270	30 kΩ	HF45 7300	HF45 7300
33 Ω	HF45 4330	HF45 4330	33 kΩ	HF45 7330	HF45 7330
39 Ω	HJ35 4470	HF85 4390	36 kΩ	HF45 7360	HF45 7360
47 Ω	HF45 4470	HF45 4470	39 kΩ	HF45 7390	HF45 7390
56 Ω	HF45 4560	HF45 4560	47 kΩ	HF45 7470	HF45 7470
68 Ω	HF45 4680	HF45 4680	51 kΩ	HF45 7510	HF45 7510
75 Ω	HF45 4750	HF45 4750	56 kΩ	HF45 7560	HF45 7560
82 Ω	HF45 4820	HF45 4820	62 kΩ	HF45 7620	HF45 7620
91 Ω	HF45 4910	HF45 4910	68 kΩ	HF45 7680	HF45 7680
100 Ω	HF45 5100	HF45 5100	82 kΩ	HF45 7820	HF45 7820
110 Ω	HJ35 5110	HF85 5110	91 kΩ	HF45 7910	HF#5 7910
120 Ω	HF45 5120	HF45 5120	100 kΩ	HF45 8100	HF45 8100
150 Ω	HF45 5150	HF45 5150	110 kΩ	HF45 8110	HF45 8110
160 Ω	HJ35 5160	*	120 kΩ	HF45 8120	HF45 8120
180 Ω	HF45 5180	HF45 5180	150 kΩ	HF45 8150	HF45 8150
200 Ω	HF45 5200	HF45 5200	180 kΩ	HF45 8180	HF45 8180
220 Ω	HF45 5220	HF45 5220	220 kΩ	HJ35 8220	HF85 8220
270 Ω	HF45 5270	HF45 5270	270 kΩ	HF45 8270	HF45 8270
330 Ω	HF45 5330	HF45 5330	300 kΩ	HF45 8300	HF45 8300
390 Ω	HF45 5390	HF45 5390	330 kΩ	HF45 8330	HF45 8330
430 Ω	HF45 5430	HF45 5430	390 kΩ	HJ35 8390	HF85 8390
470 Ω	HF45 5470	HF45 5470	470 kΩ	HF45 8470	HF45 8470
510 Ω	HF45 5510	HF45 5510	560 kΩ	HJ35 8560	HF85 8560
560 Ω	HF45 5560	HF45 5560	680 kΩ	HJ35 8680	HF85 8680
680 Ω	HF45 5680	HF45 5680	820 kΩ	HJ35 8820	HF85 8820
820 Ω	HF45 5820	HF45 5820	1.0 MΩ	HF45 9100	HF45 9100
910 Ω	HF45 5910	HF45 5910	1.2 MΩ	HJ35 9120	*
1.0 kΩ	HF45 6100	HF45 6100	1.5 MΩ	HJ35 9150	HF85 9150
1.2 kΩ	HF45 6120	HF45 6120	1.8 MΩ	HJ35 9180	HF85 9180
1.5 kΩ	HF45 6150	HF45 6150	2.2 MΩ	HJ35 9220	HF85 9220
1.8 kΩ	HF45 6180	HF45 6180	3.3 MΩ	HJ35 9330	HF85 9330
2.0 kΩ	HJ35 6200	HF85 6200	3.9 MΩ	HJ35 9390	*
2.2 kΩ	HF45 6220	HF45 6220	4.7 MΩ	HJ35 9470	HF85 9470
2.4 kΩ	HJ35 6240	HF85 6240			
2.7 kΩ	HF45 6270	HF45 6270			
3.0 kΩ	HF45 6300	HF45 6300			
3.3 kΩ	HF45 6330	HF45 6330			
3.6 kΩ	HJ35 6360	HF85 6360			
3.9 kΩ	HF45 6390	HF45 6390			
4.7 kΩ	HF45 6470	HF45 6470			
5.1 kΩ	HF45 6510	HF45 6510			
5.6 kΩ	HF45 6560	HF45 6560			
6.8 kΩ	HF45 6680	HF45 6680			
8.2 kΩ	HF45 6820	HF45 6820			
9.1 kΩ	HF45 6910	HF45 6910			



RX-V1070/V870